



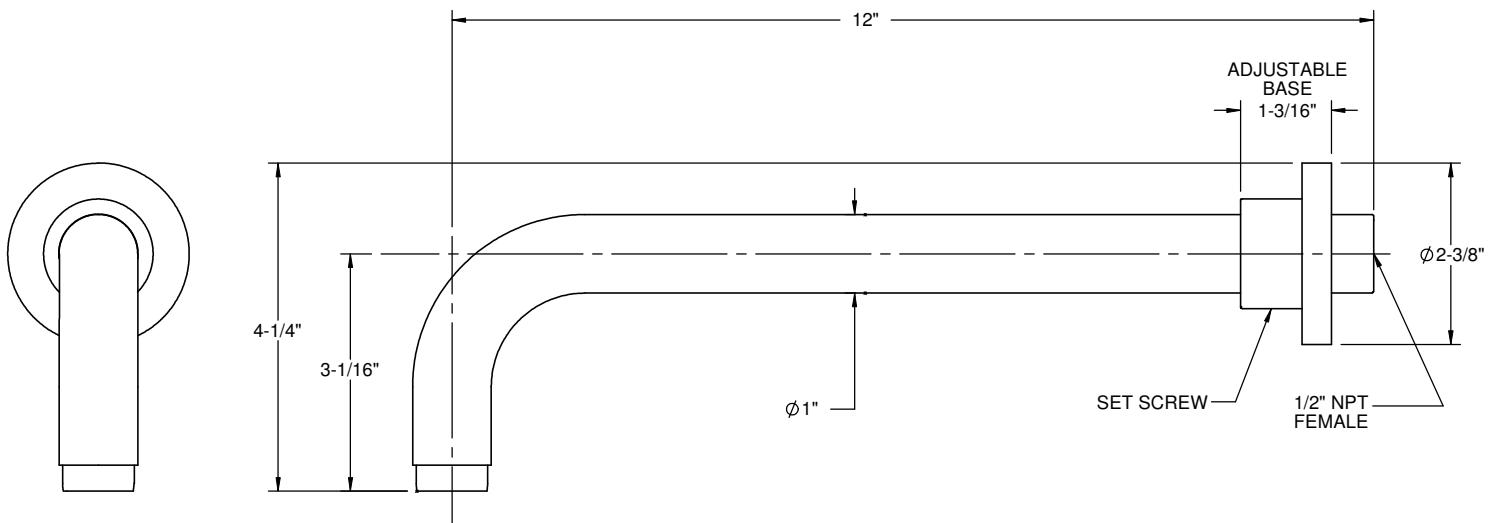
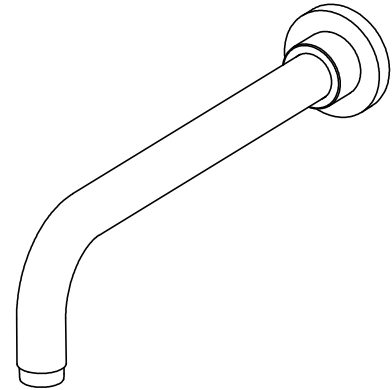
Features

- Available in 30 finishes
- All brass construction
- 12" spout reach
- 1.5 gpm (5.7 lpm) maximum flow rate (other flowrates available)
- See www.calfaucets.com for custom options

Codes/Standards Applicable

Specified model meets or exceeds the following:

- ASME A112.18.1-2005/CSA B125.1-05
- NSF 61



ALL DIMENSIONS SHOWN TO NEAREST 1/16"