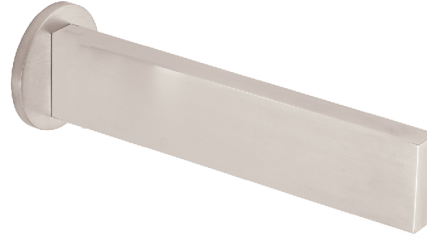




Features

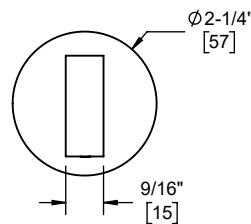
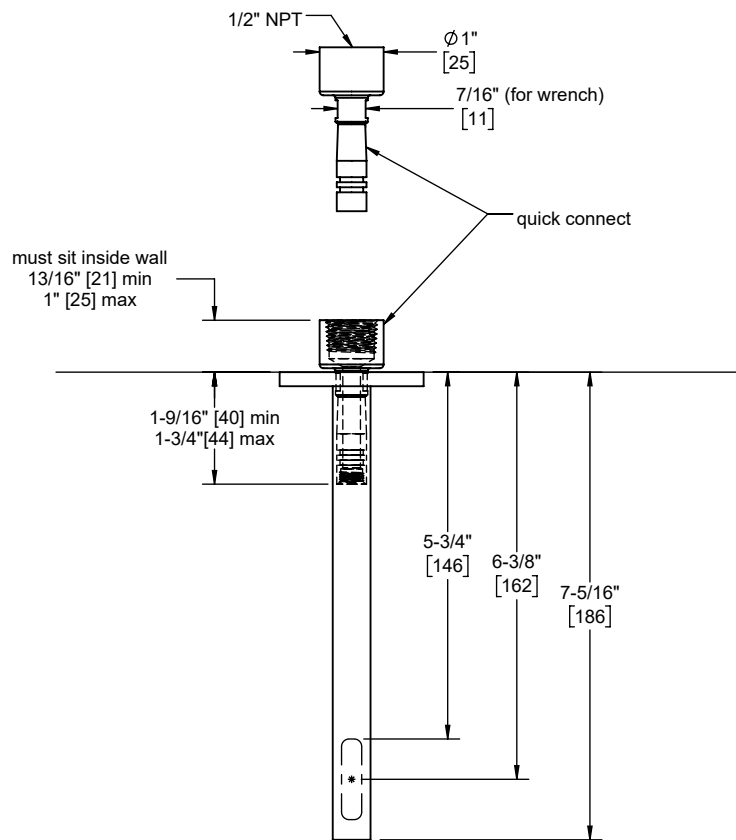
- Available in 27 finishes including 12 PVD finishes
- All brass construction
- Includes quick connect
- Max flow rate: 7.5gpm (28.4 L/min)



Codes/Standards Applicable

Product meets or exceeds the following:

- ASME A112.18.1/CSA B125.1



Through-Hole Specifications		
Min	Recommended	Max
Spout: Ø 1-1/4" [32]	Ø 1-1/4" [32]	Ø 1-5/8" [41]

Dimensions are inches, rounded to 1/16"
[Dimensions in brackets are mm, rounded to 1mm]