



California Faucets®

Bel Canto®

Two Handle Lavatory Wall Faucet Trim Only

Features

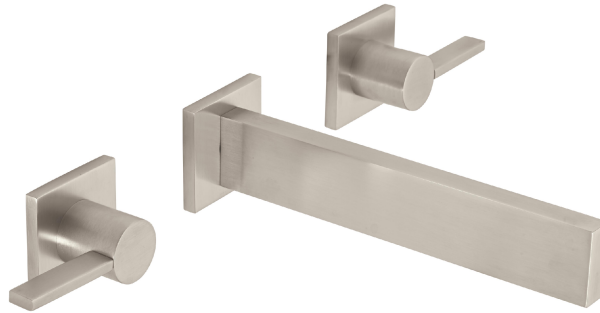
- Over 26 finishes including 12 PVD finishes
- All brass construction
- 1.2 gpm (4.5 L/min) max flow rate
- Rough Valve (VL-R) sold separately

Codes/Standards Applicable

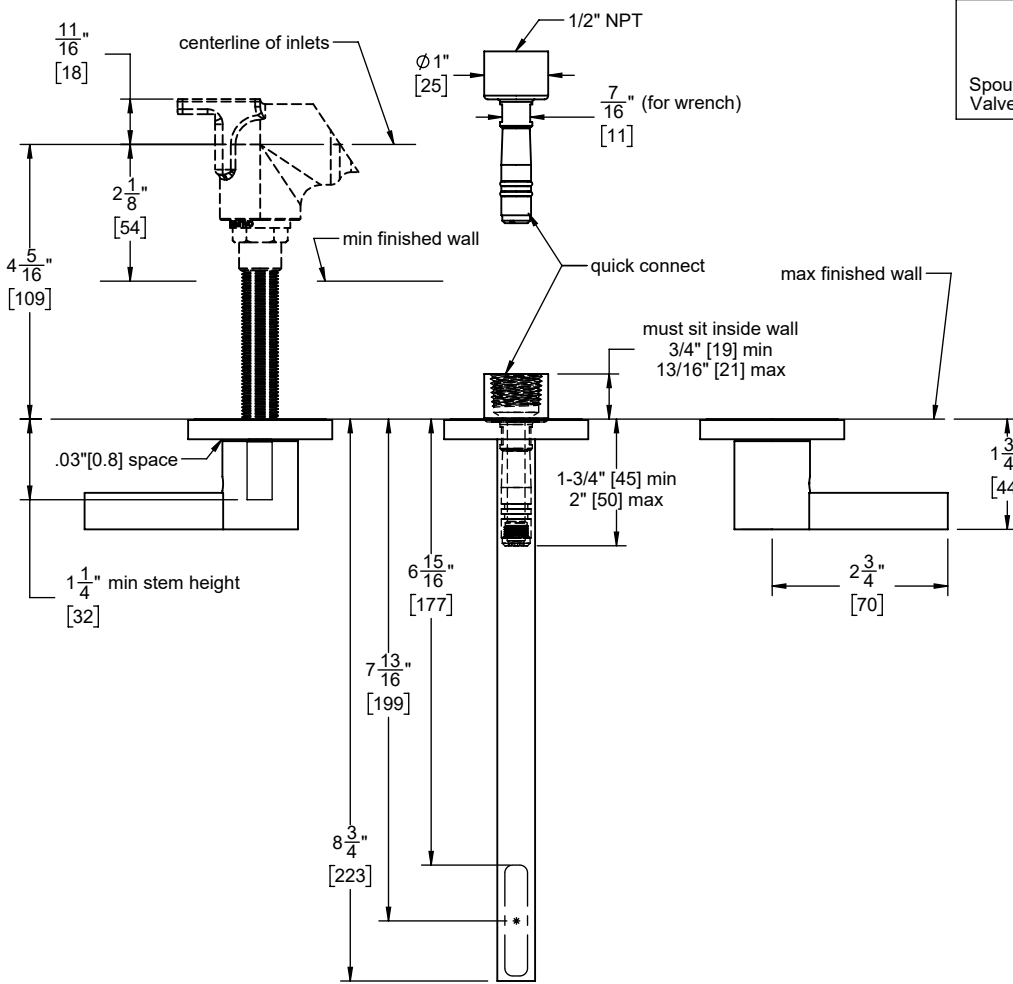
Product meets or exceeds the following:

- ASME A112.18.1/CSA B125.1
- NSF 61, NSF 372, CEC & DOE
- EPA WaterSense
- Commonwealth of MA
- ADA compliant (lever handle only)

TO-VE302C-7
TO-VE302C-7-77R

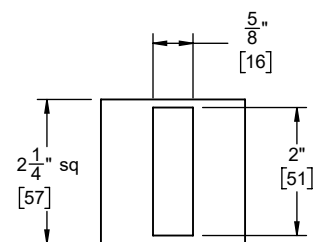
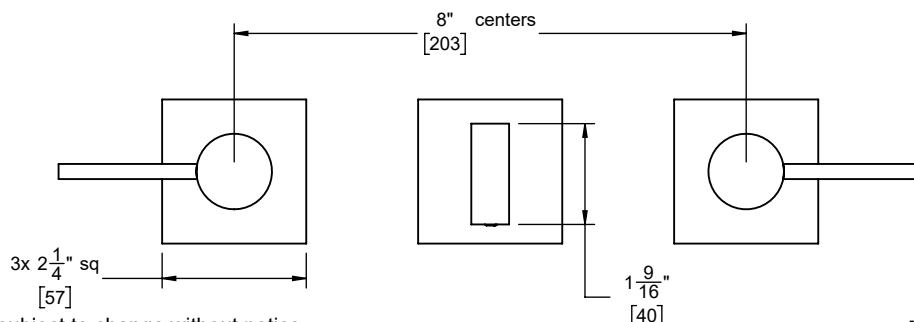
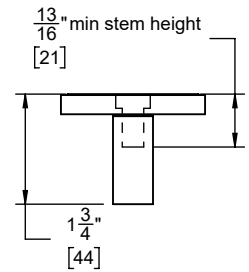


TO-VE302C-7 shown



Through-Hole Specifications			
	Min	Recommended	Max
Spout:	Ø 1-1/4" [32]	Ø 1-1/4" [32]	Ø 1-5/8" [41]
Valve:	Ø 1-1/4" [32]	Ø 1-1/4" [32]	Ø 1-5/8" [41]

TO-VE302C-7-77R



Specifications subject to change without notice

Dimensions are inches, rounded to 1/16"
[Dimensions in brackets are mm, rounded to 1mm]