



California Faucets®

Miramar™

Single Handle Lavatory Wall Faucet Trim Only

Features

- Available in 28 finishes including 13 PVD finishes
- All brass construction
- Single handle allows for volume & temperature control at any position
- 1.2gpm (4.5 L/min) max flow rate
- Rough valve (SHV-R) sold separately

TO-V4801-7
TO-V4801-9



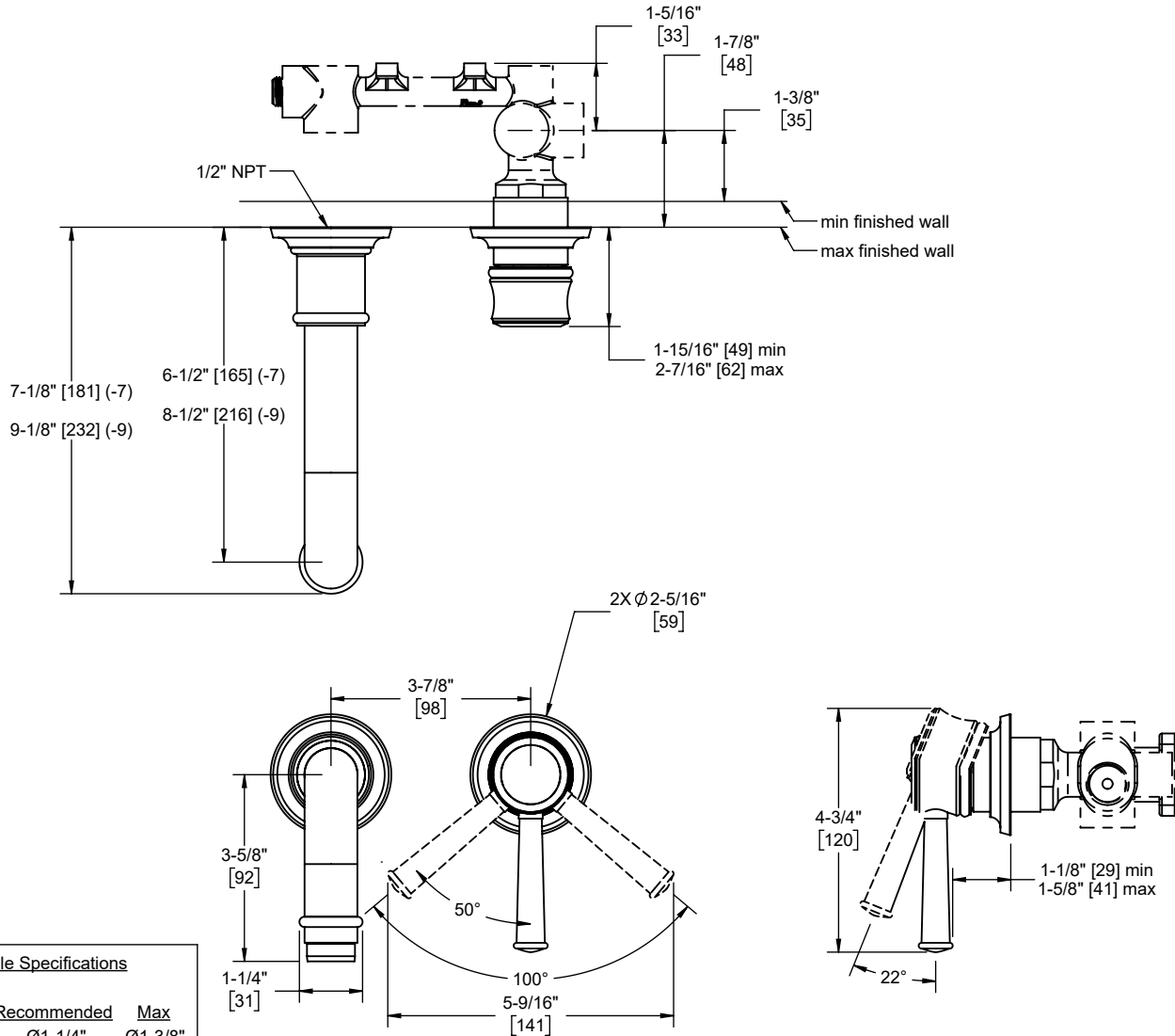
TO-V4801-7-SN shown



Codes/Standards Applicable

Product meets or exceeds the following:

- ASME A112.18.1/CSA B125.1
- NSF 61, NSF 372, CEC & DOE
- EPA WaterSense
- Commonwealth of MA
- ADA compliant



Through-Hole Specifications

	Min	Recommended	Max
Spout:	Ø1" [25]	Ø1-1/4" [32]	Ø1-3/8" [35]
Handle:	Ø1-5/8" [41]	Ø1-3/4 [44]	Ø2" [51]

Specifications subject to change without notice

Dimensions are inches, rounded to 1/16"
[Dimensions in brackets are mm, rounded to 1mm]