



California Faucets®

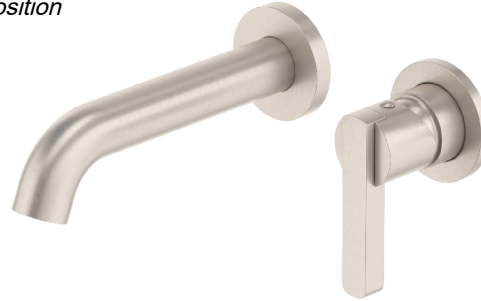
**San Elijo™**

Single Handle Lavatory Wall Faucet Trim Only

**Features**

- 25+ artisan finishes including 12 PVD finishes
- All brass construction
- Single handle allows for volume and temperature control at any position
- 1.2gpm (4.5 L/min) max flow rate
- Rough valve (SHV-R) sold separately

TO-V3801-7  
TO-V3801T-7  
TO-V3801-9  
TO-V3801T-9



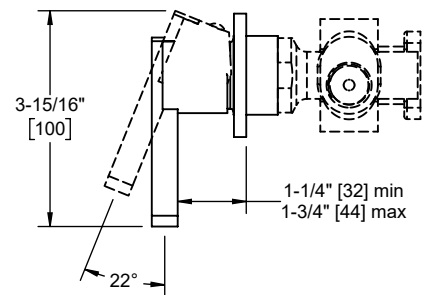
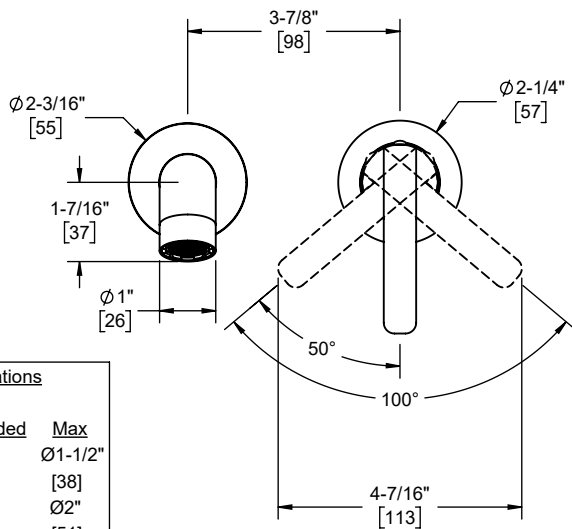
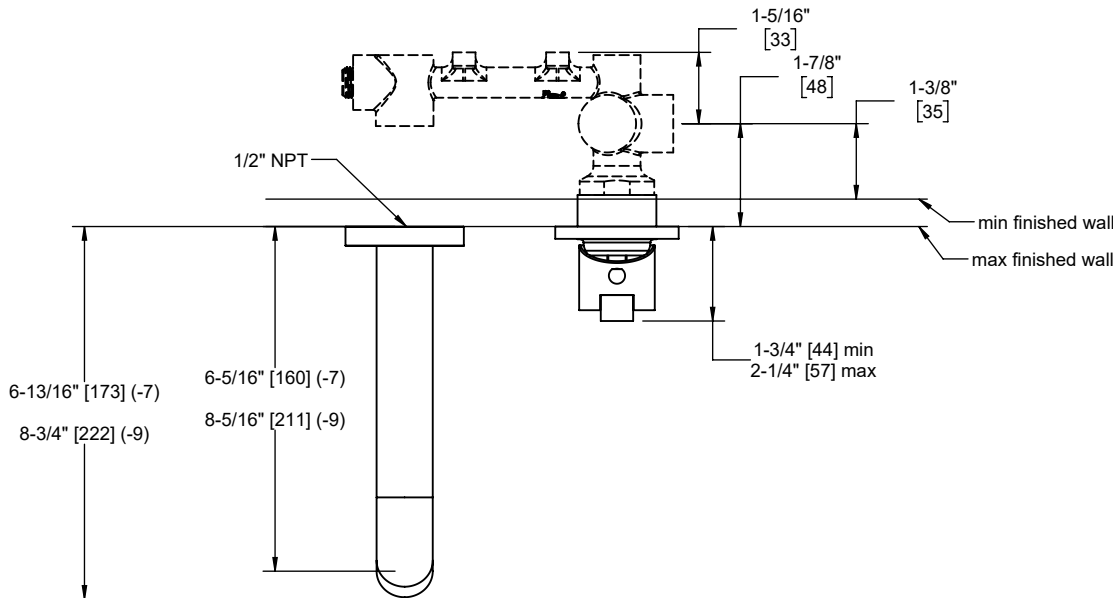
TO-V3801-7-SN shown



**Codes/Standards Applicable**

Product meets or exceeds the following:

- ASME A112.18.1/CSA B125.1
- NSF 61, NSF 372, CEC & DOE
- EPA WaterSense
- Commonwealth of MA
- ADA compliant



Through-Hole Specifications			
	Min	Recommended	Max
Spout:	Ø1-1/4\"/>		
Handle:	Ø1-5/8\"/>		

Specifications subject to change without notice

Dimensions are inches, rounded to 1/16\"/>