



California Faucets®

San Elijo™

Two Handle Lavatory Wall Faucet Trim Only

Features

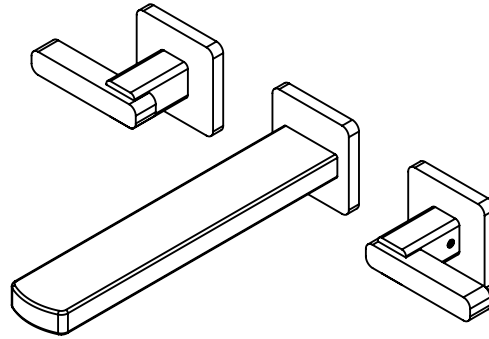
- 25+ artisan finishes including 12 PVD finishes
- All brass construction
- 1.2gpm (4.5 L/min) max flow rate
- Rough valve (VL-R) sold separately

TO-V3702-7
 TO-V3702X-7
 TO-V3702T-7
 TO-V3702XT-7

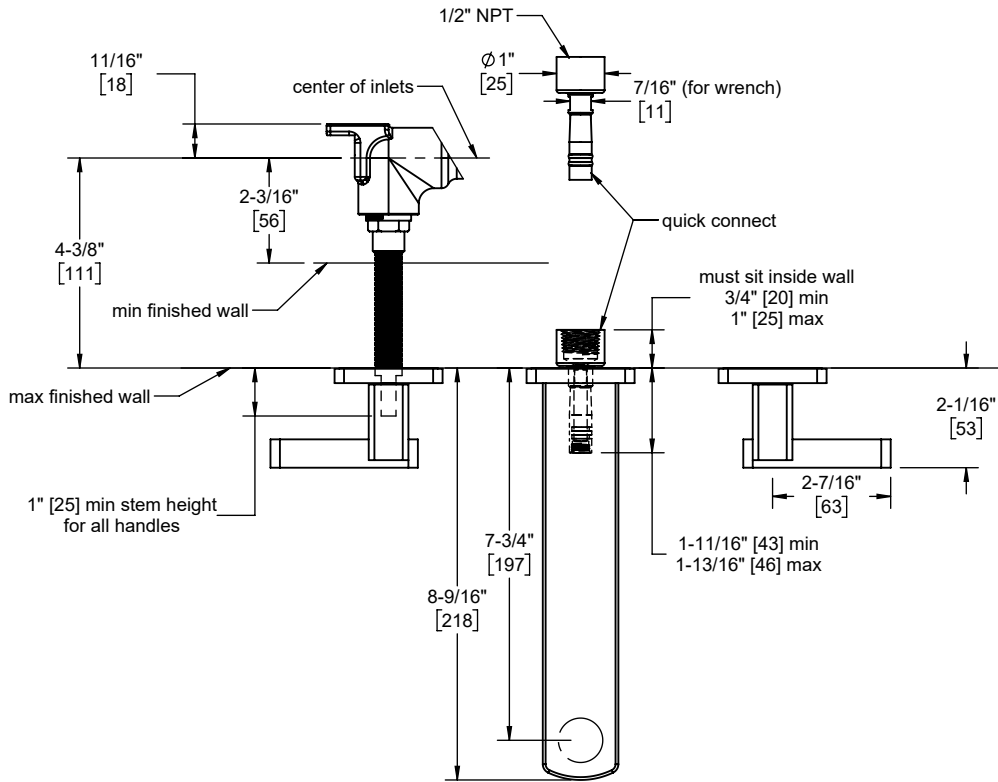
Codes/Standards Applicable

Product meets or exceeds the following:

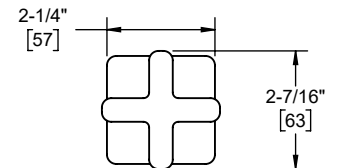
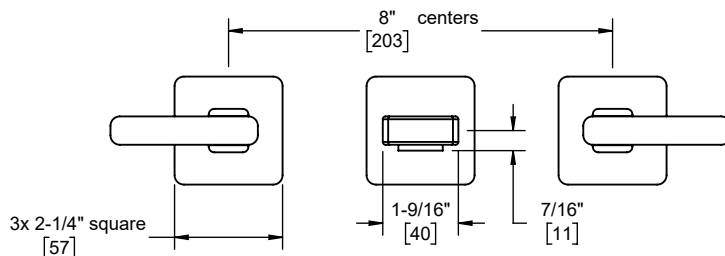
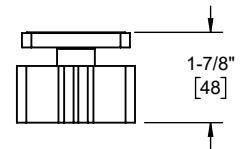
- ASME A112.18.1/CSA B125.1
- NSF 61, NSF 372, CEC & DOE
- EPA WaterSense
- Commonwealth of MA
- ADA compliant (lever handle only)



TO-V3702-7 shown



TO-V3702X-7
TO-V3702XT-7



	Through-Hole Specifications		
	Min	Recommended	Max
Spout:	Ø1-1/4" [32]	Ø1-1/4" [32]	Ø1-5/8" [41]
Valve:	Ø1-1/4" [32]	Ø1-1/4" [32]	Ø1-5/8" [41]

Dimensions are inches, rounded to 1/16"
[Dimensions in brackets are mm, rounded to 1mm]

Specifications subject to change without notice