



Features

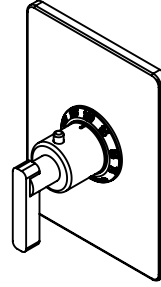
- 25+ artisan finishes including 12 PVD finishes
- All brass construction
- 100°F safety stop button with manual override
- Engraved brass temperature ring
- Separate volume control required

Codes/Standards Applicable

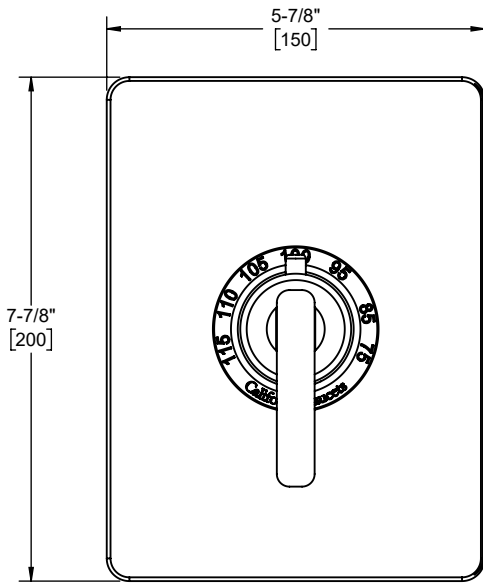
Product meets or exceeds the following:

- ASME A112.18.1/CSA B125.1
- ASSE 1016
- ADA compliant (lever handle only)

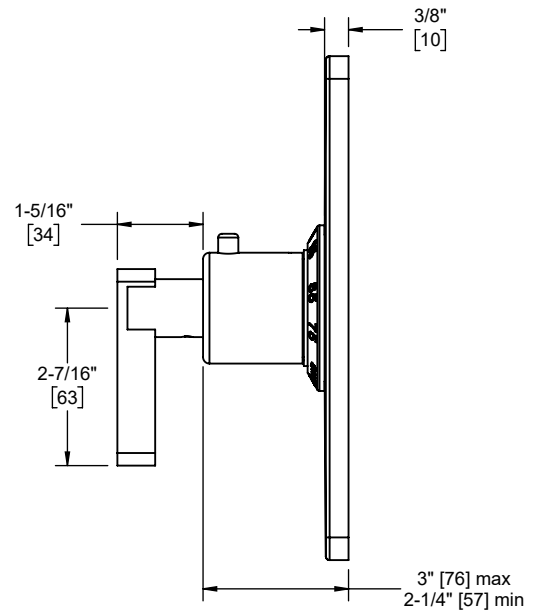
TO-THCN-37
 TO-THCN-37T
 TO-THCN-37X
 TO-THCN-37XT



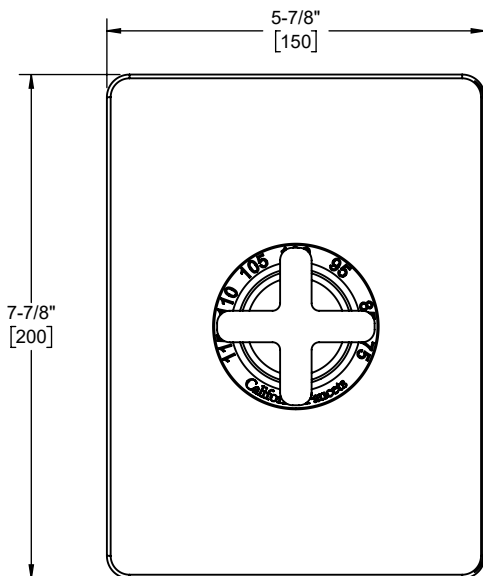
TO-THCN-37 shown



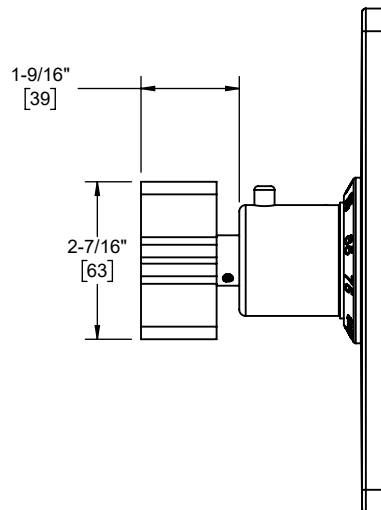
TO-THCN-37 front view



TO-THCN-37 side view



TO-THCN-37X front view



TO-THCN-37X side view