



California Faucets®

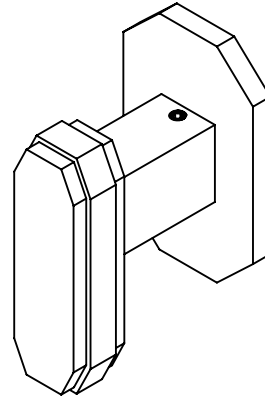
CHRISTOPHERGRUBB Collection

Doheny™
Wall or Deck Handle Trim

TO-C2-W

Features

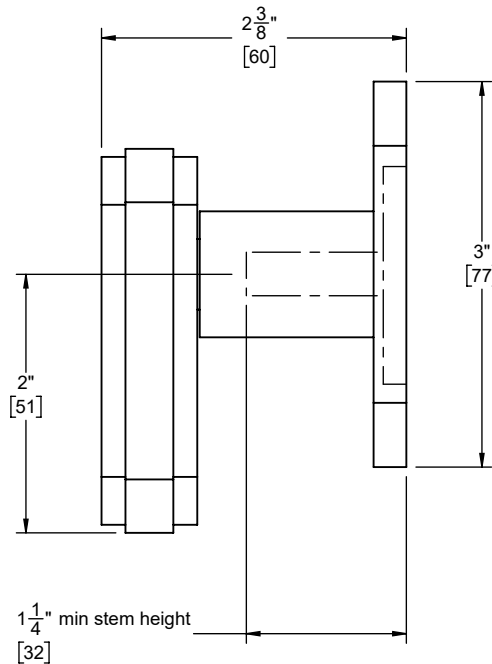
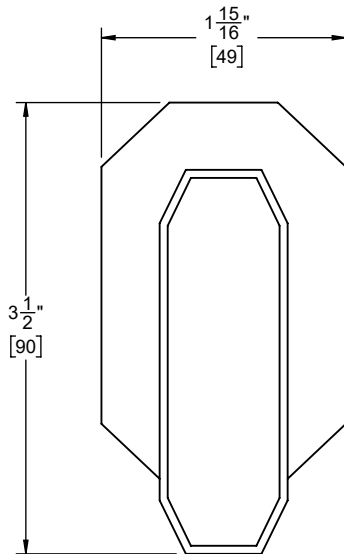
- Available in 28 finishes including 13 PVD finishes
- All brass construction
- Use for wall stop, wall diverter, or deck diverter
- Rough valve (50-W-R, 75-W-R, WDV-R, DDV-R) sold separately



Codes/Standards

Product meets or exceeds the following:

- ASME A112.18.1/CSA B125.1
- ADA compliant



Through-Hole Specifications		
Min	Recommended	Max
Valve: ϕ 11/16" [17]	ϕ 1-1/4" [32]	ϕ 1-5/8" [41]

Dimensions are inches, rounded to 1/16"
[Dimensions in brackets are mm, rounded to 1mm]

Specifications subject to change without notice