



California Faucets®

CHRISTOPHERGRUBB Collection

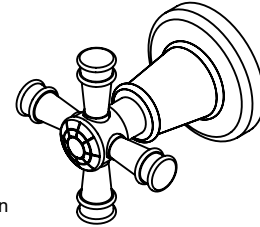
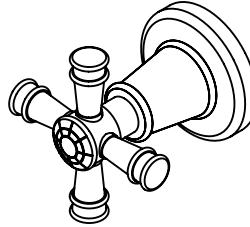
Trousdale™

2 Handle Tub or Shower Trim

Features

- Available in 28 finishes including 13 PVD finishes
- All brass construction
- Less head, arm, flange, and spout
- Requires rough-in (2-VR) sold separately

TO-C106XL
TO-C106XSL

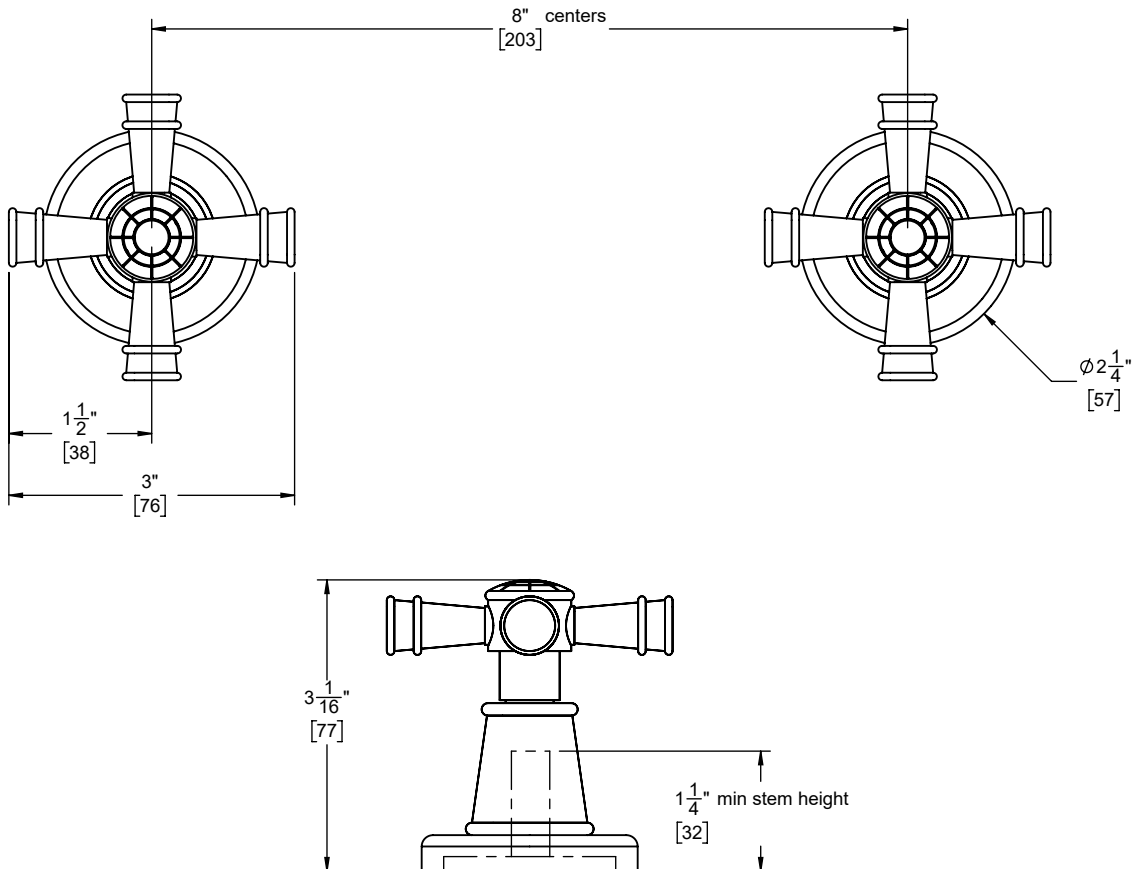


TO-C106XL shown

Codes/Standards

Product meets or exceeds the following:

- ASME A112.18.1/CSA B125.1



Through-Hole Specifications

	Min	Recommended	Max
Valve:	Ø 1-1/8" [24]	Ø 1-3/8" [32]	Ø 1-5/8" [41]

Dimensions are inches, rounded to 1/16"
[Dimensions in brackets are mm, rounded to 1mm]

Specifications subject to change without notice