



California Faucets®

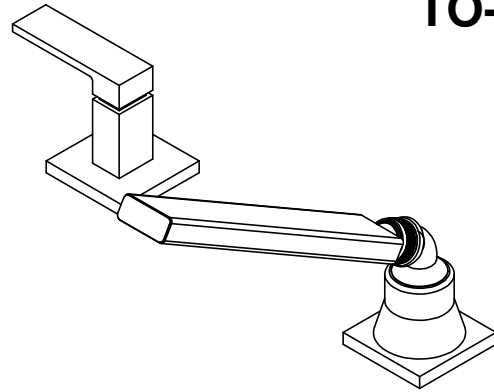
MORRO BAY™

DECK TRIM DIVERTER

Features

- Handshower: 1/2" MIP inlet with self-clean rubber jets
- Handshower: 2.0 gpm (7.6 L/m) max flow rate
- Handshower elbow: 1/2" FIP swivel nut with 1/2" MIP inlet
- Hose: 84" Black poly braided hose. Provides durable, quiet & no damage to trim finish during operation
- Solid brass construction
- Over 30 finishes including 15 PVD finishes
- Anti-siphon diverter valve (DDV-R) sold separately

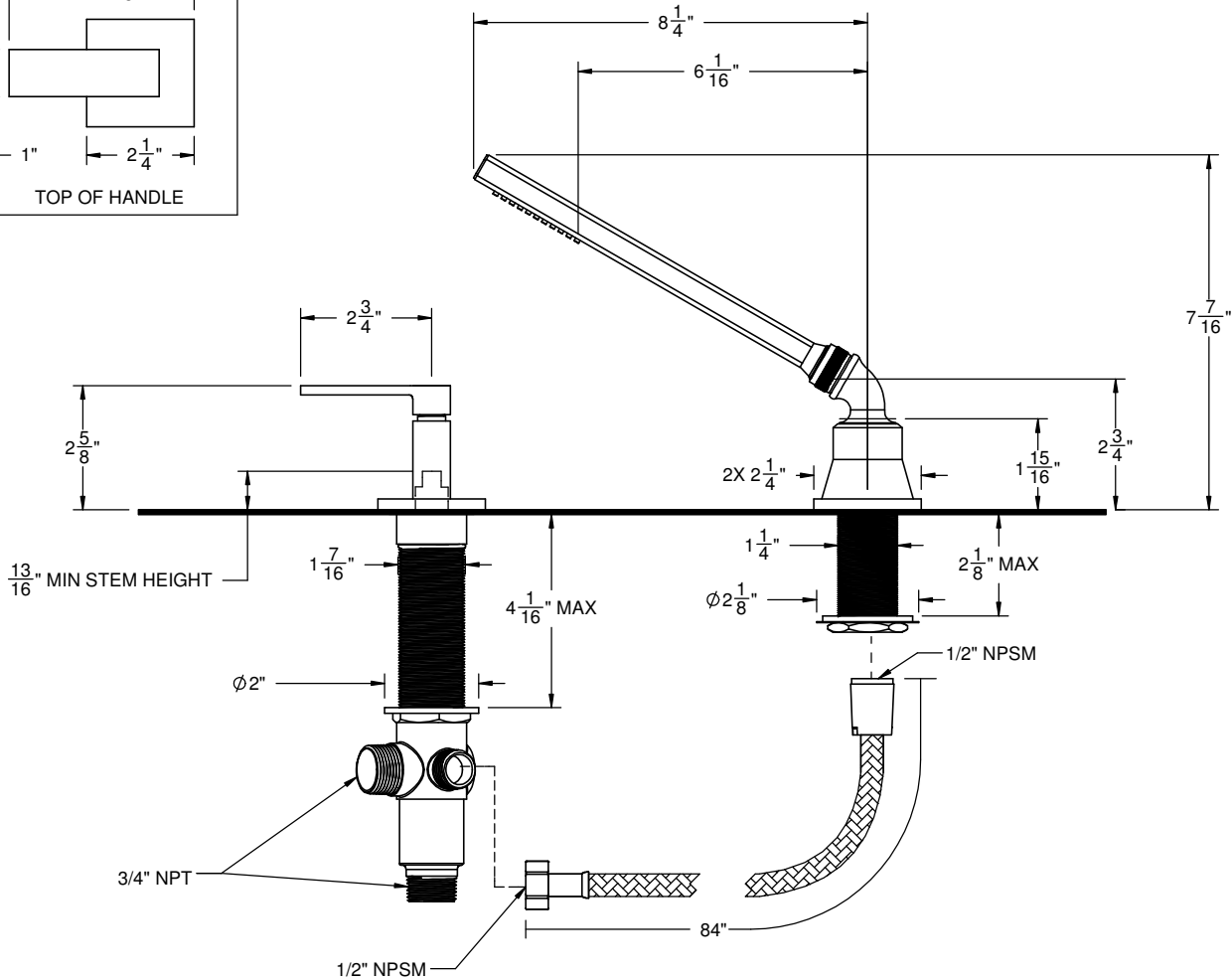
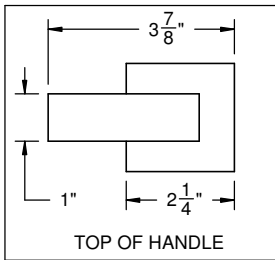
TO-77.72.20



Codes/Standards Applicable

Meets or exceeds the following at date of manufacture:

- ASME A112.18.1/CSA B125.1
- CEC



THROUGH-HOLE SPECIFICATIONS			
	MIN	RECOMMENDED	MAX
SHOWER: Ø	1-1/4"	Ø1-1/4"	Ø1-13/16"
VALVE: Ø	1-7/16"	Ø1-1/2"	Ø1-3/4"

ALL DIMENSIONS SHOWN TO NEAREST 1/16"