



California Faucets®

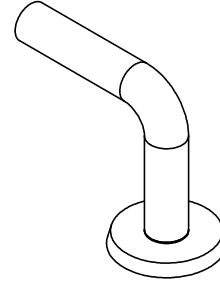
Tamalpais™

WALL OR DECK HANDLE TRIM ONLY

Features

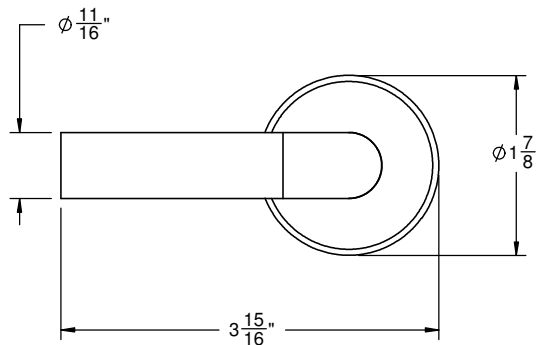
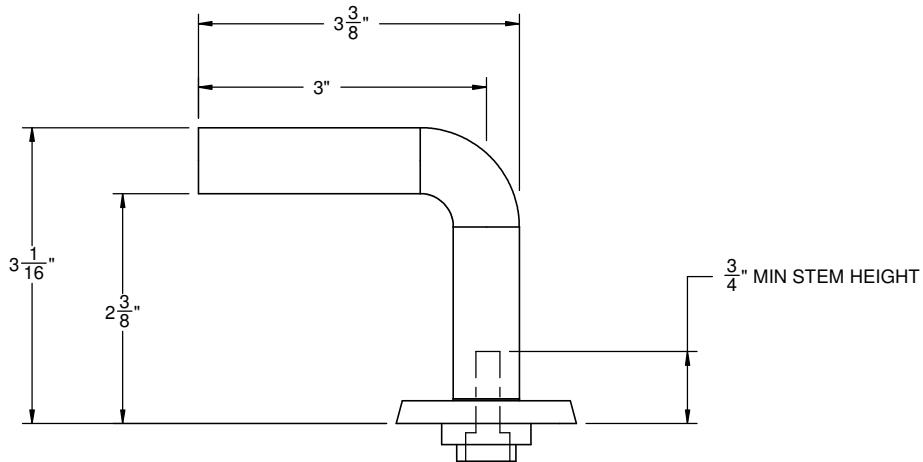
- Base diameter 1-7/8"
- Use for wall stop, wall diverter or deck diverter
- Solid brass construction
- Rough valve sold separately (50-W-R, 75-W-R)
- Over 30 finishes including 15 PVD finishes

TO-74-W



Codes/Standards Applicable

- Product meets or exceeds the following:
- ASME A112.18.1/CSA B125.1



ALL DIMENSIONS SHOWN TO NEAREST 1/16"