



California Faucets®

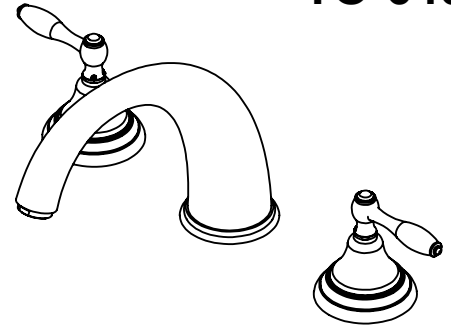
MENDOCINO™

ROMAN TUB SET (TRIM ONLY)

Features

- Over 30 finishes including 15 PVD finishes
- Solid brass construction
- Max flow rate: 16 gpm (60.6 L/min)
- Requires Rough Valve: 08-75-99 (sold separately)

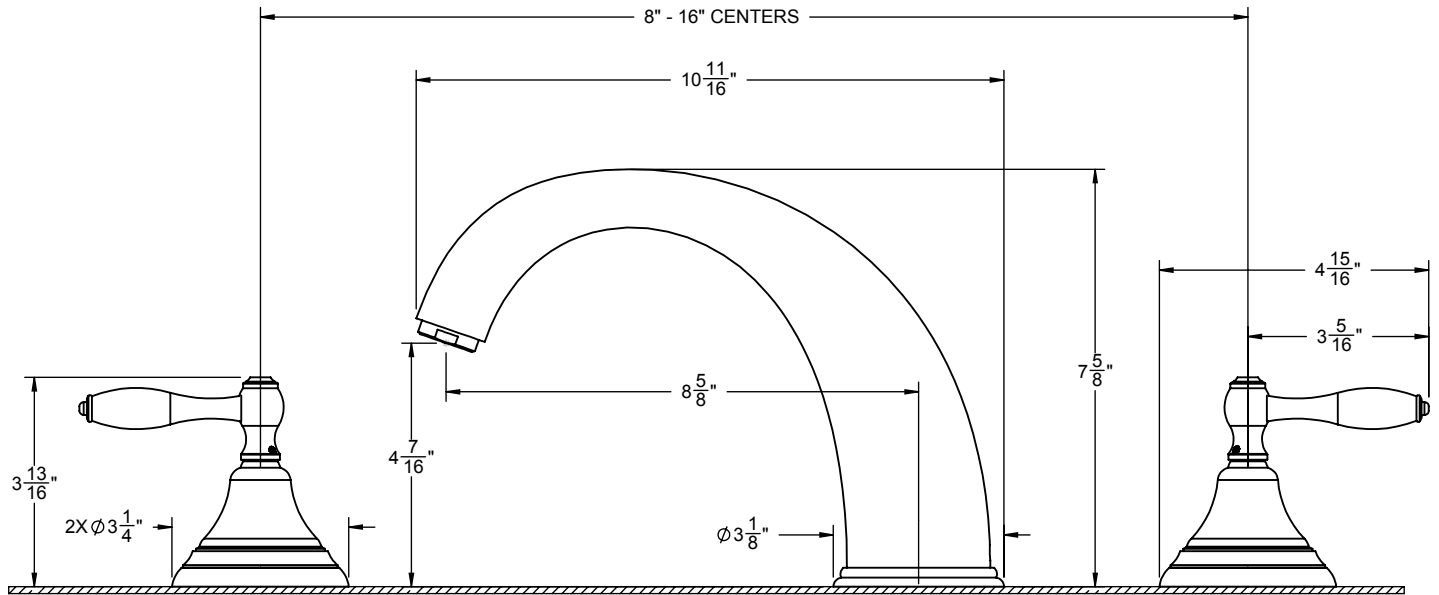
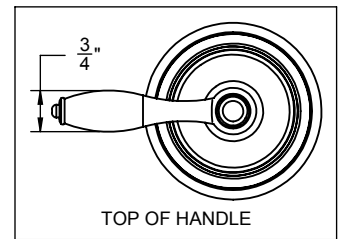
TO-6408



Codes/Standards Applicable

Meets or exceeds the following at date of manufacture:

- ASME A112.18.2-2011/CSA B125.2-11
- ADA



THROUGH-HOLE SPECIFICATIONS

MIN	RECOMENDED	MAX
SPOUT: ϕ 1"	ϕ 1-3/8"	ϕ 1-11/16"
VALVE: ϕ 1-1/4"	ϕ 1-3/8"	ϕ 1-11/16"

ALL DIMENSIONS SHOWN TO NEAREST 1/16"