



California Faucets®

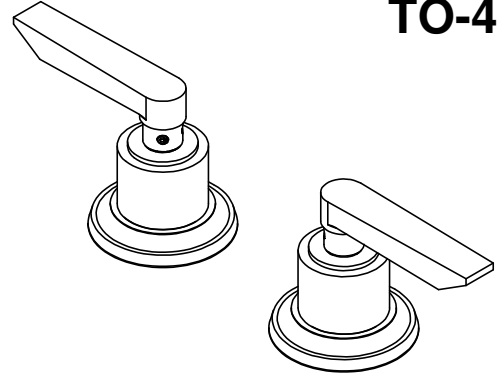
RINCON BAY™

2 HANDLE TUB AND SHOWER TRIM

Features

- Less head, arm, flange and spout
- Requires rough-in (2-VR or VL-R) sold separately
- Solid brass construction
- Over 30 finishes including 15 PVD finishes

TO-4506L



Codes/Standards

Meets or exceeds the following at date of manufacture:

- ASME A112.18.1/CSA B125.1
- ADA compliant

THRU HOLE SEPCIFICATIONS		
	MIN	RECOMMENDED
VALVE:	Ø11/16"	1-1/4"

