



California Faucets®

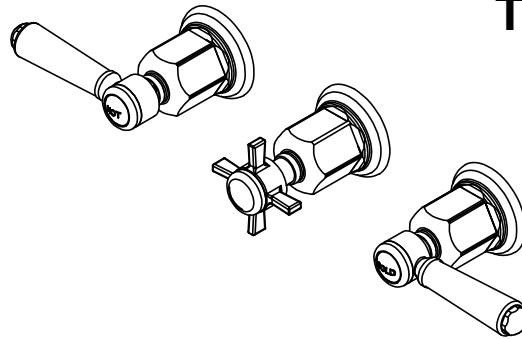
Topanga™

THREE HANDLE TUB & SHOWER TRIM

Features

- Less head, arm, flange, and spout
- Requires rough-in (3-VR) sold separately
- Solid brass construction
- Over 30 finishes including 15 PVD finishes

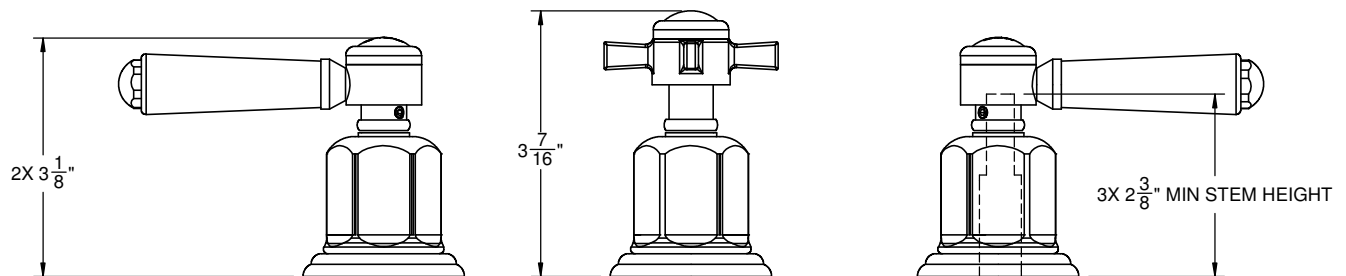
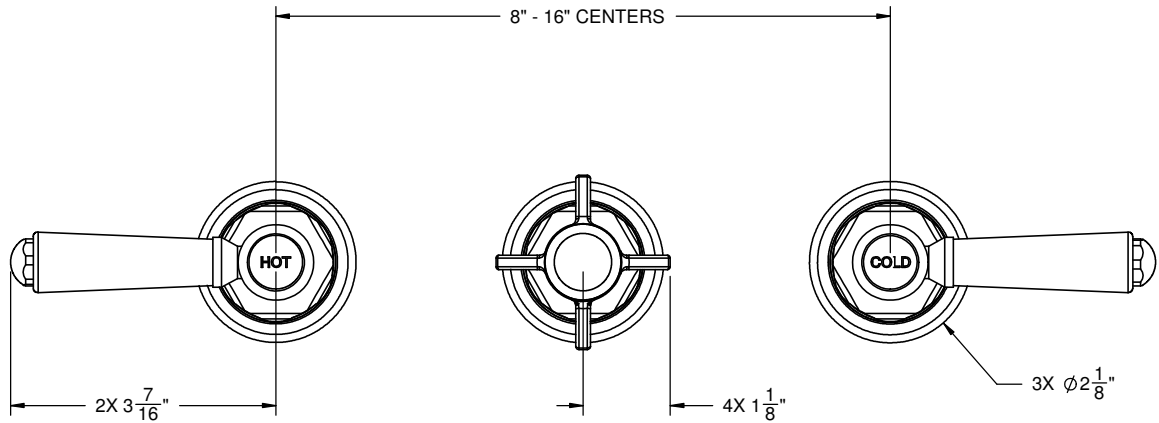
TO-3303L



Codes/Standards

Product meets or exceeds the following:

- ASME A112.18.1/CSA B125.1
- ADA Compliant



THRU HOLE SEPCIFICATIONS	
MIN	RECOMMENDED
VALVE: Ø11/16"	1-1/4"