



California Faucets®

Descanso™

ROMAN TUB SET TRIM

Features

- Maximum 8-5/8" spout center to center
- Spout has easy Quick Connect fitting
- 16 gpm (60.6 L/min) max flow rate at 60 psi
- Requires rough valve (08-75-65) sold separately
- Solid brass construction
- Over 30 finishes including 15 PVD finishes

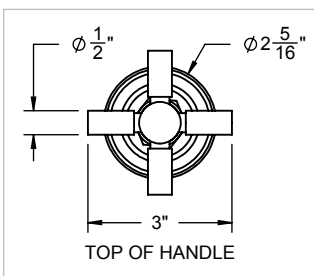
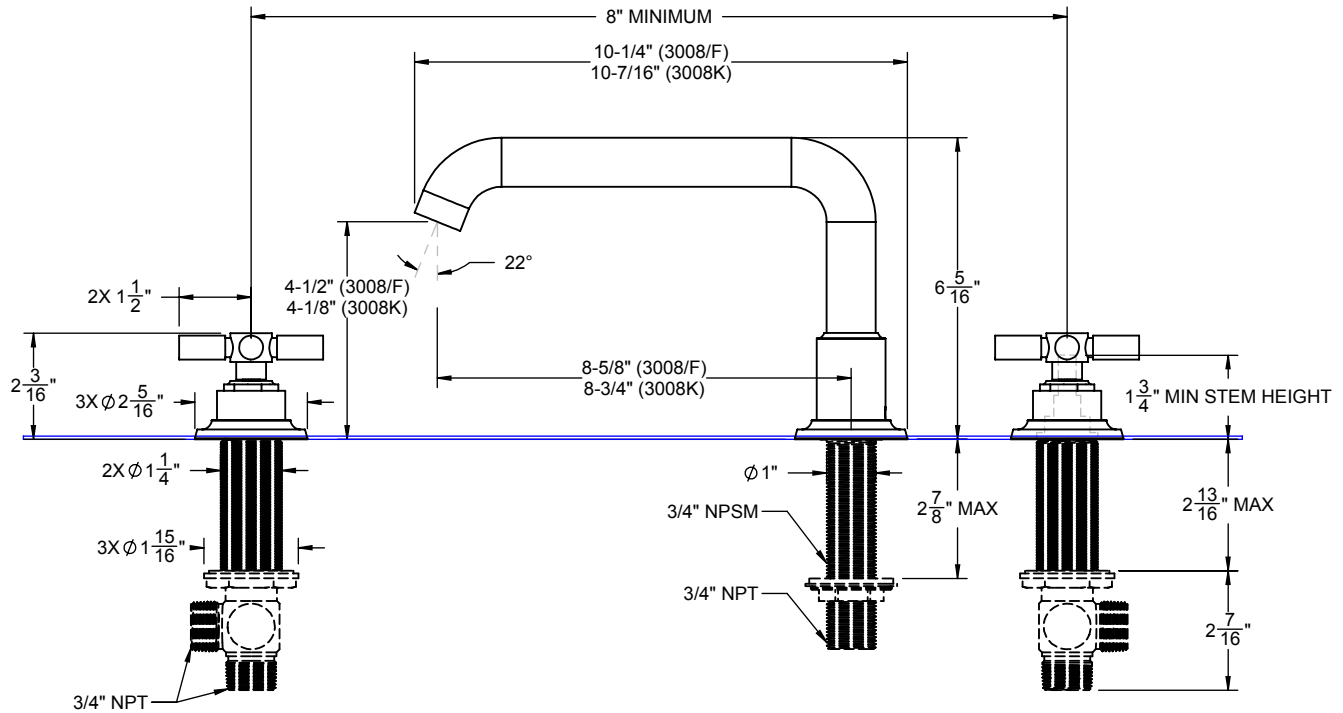
**TO-3008X
TO-3008XK
TO-3008XF**



(TO-3008XK SHOWN)

Codes/Standards

- Product meets or exceeds the following:
- ASME A112.18.1/CSA B125.1



THROUGH-HOLE SPECIFICATIONS		
MIN	RECOMENDED	MAX
SPOUT: ϕ 1"	ϕ 1-3/8"	ϕ 1-5/8"
VALVE: ϕ 1-1/4"	ϕ 1-3/8"	ϕ 1-5/8"

SPECIFICATIONS SUBJECT TO CHANGE WITHOUT NOTICE

ALL DIMENSIONS SHOWN TO NEAREST 1/16"