



California Faucets®

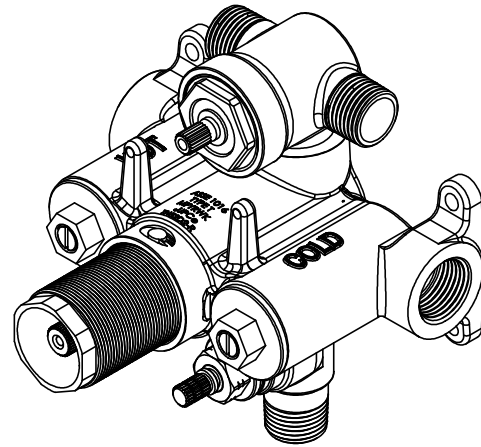
StyleTherm®

1/2" THERMOSTATIC VALVE W/ INTEGRAL DUAL NON-SHARED & SINGLE VOLUME CONTROL OUTLETS (ROUGH)

TH52D2-R

Features

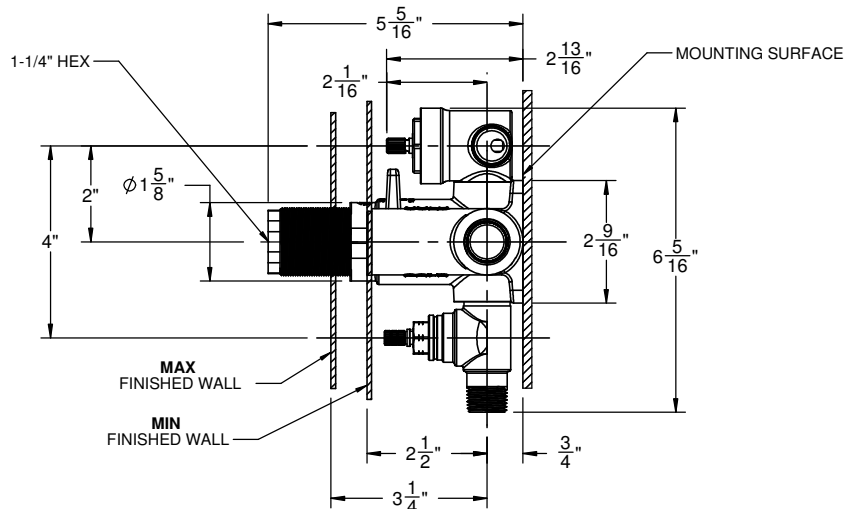
- Forged brass valve body construction
- 1/2" FIP - 2 inlet and 1/2" MIP or 1/2" Nominal Sweat - 3 outlet
- Flow rate:
 - 7.2 gpm (27.3 L/m) at 60 psi from each upper non-shared outlet
 - 10 gpm (37.9 L/m) at 60 psi from lower single outlet
- Integral service stops
- Built-in check valves to prevent crossflow
- Single-handle temperature mixing
- Thermostatic anti-scald protection
- Genuine Vernet® mixing cartridge featuring
 - Thermoplastic polymer construction to limit limescale build-up
 - Integrated filter screens
 - Paraffin wax element
- Integral upper dual non-shared ceramic disc cartridge
 - Volume controllable, full-off at 12 o'clock position
 - 1/4 turn left or right to open each outlet
- Integral lower 1/4 turn ceramic disc cartridge



Codes/Standards Applicable

Specified model meets or exceeds the following:

- ASME A112.18.1-2005/CSA B125.1-05
- ASSE 1016
- CALGREEN compliant when volume control is used for tub spout



SIDE VIEW

ALL DIMENSIONS SHOWN TO NEAREST 1/16"

FRONT VIEW

