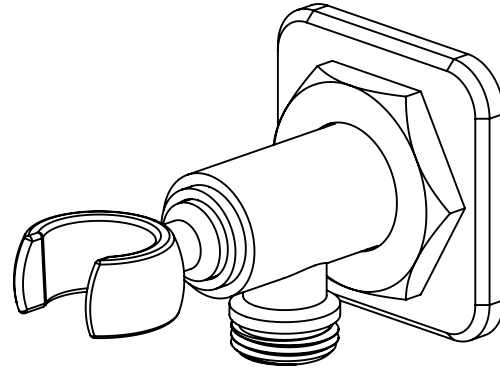




### Features

- 25+ artisan finishes including 12 PVD finishes
- All brass construction
- 1/2" FIP inlet connection
- 1/2" standard hose connection
- Accepts most conical handshower hoses



### Codes/Standards Applicable

Product meets or exceeds the following:

- ASME A112.18.1/CSA B125.1

