



California Faucets®

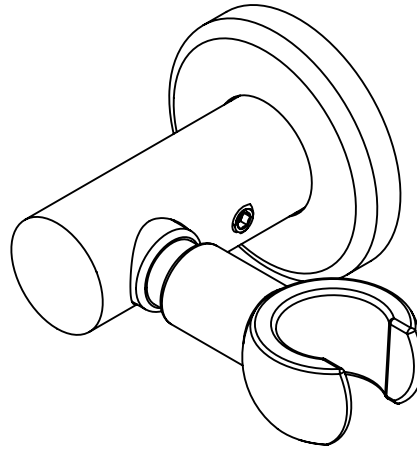
CHRISTOPHERGRUBB Collection

# Trousdale™ Handshower Swivel Wall Bracket

SH-20S-C1

## Features

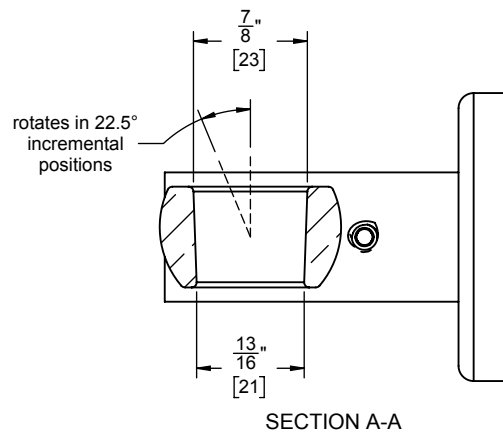
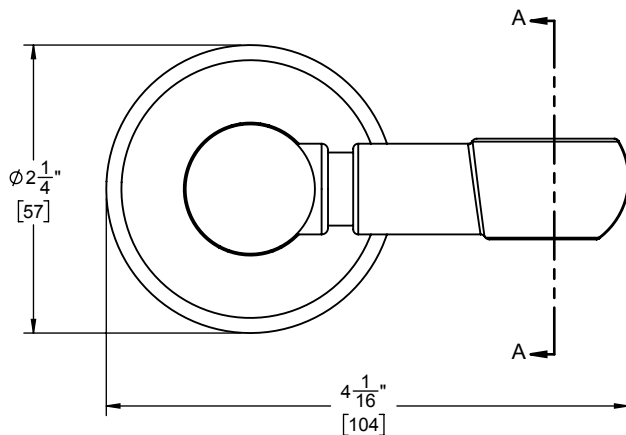
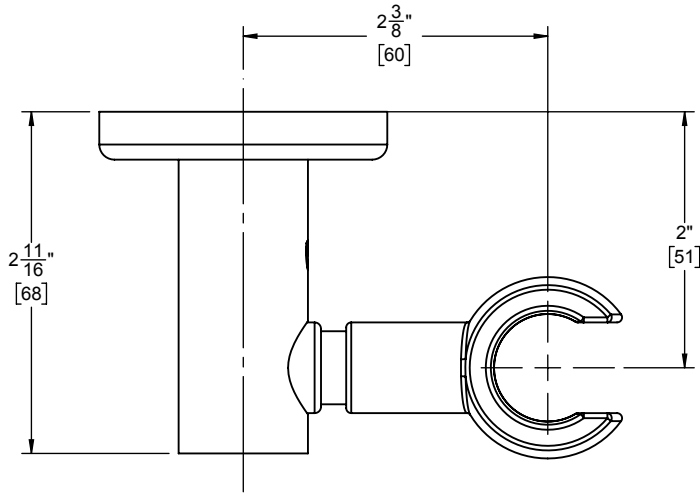
- Available in 28 finishes including 13 PVD finishes
- All brass construction
- Positive-Lock swivel holder
- Accepts most conical handshower hoses
- All mounting hardware included



## Codes/Standards

Product meets or exceeds the following:

- None applicable



	(2X) - #8 X 1-3/4" PHILLIPS HEAD SCREW
	(2X) - ANCHOR, PLASTIC #8-10 FINNED

Specifications subject to change without notice

Dimensions are inches, rounded to 1/16"  
[Dimensions in brackets are mm, rounded to 1mm]