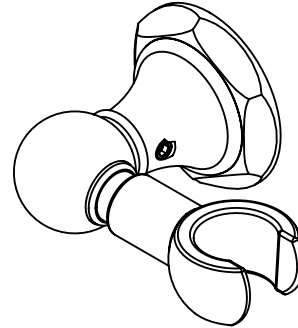




### SH-20S-47

#### Features

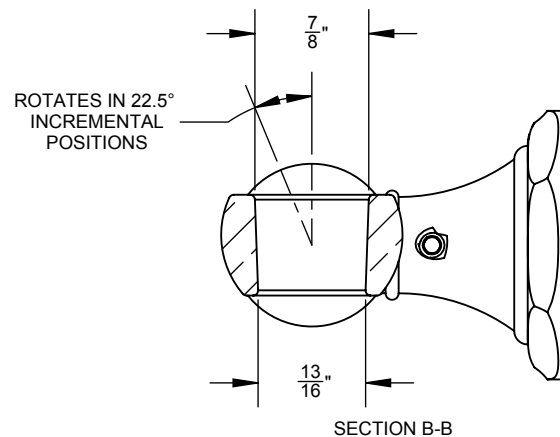
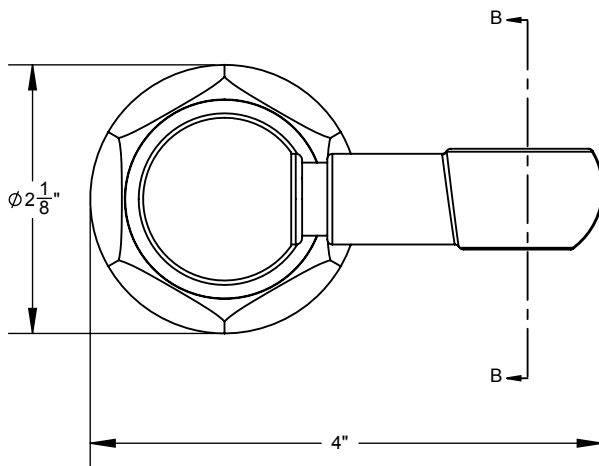
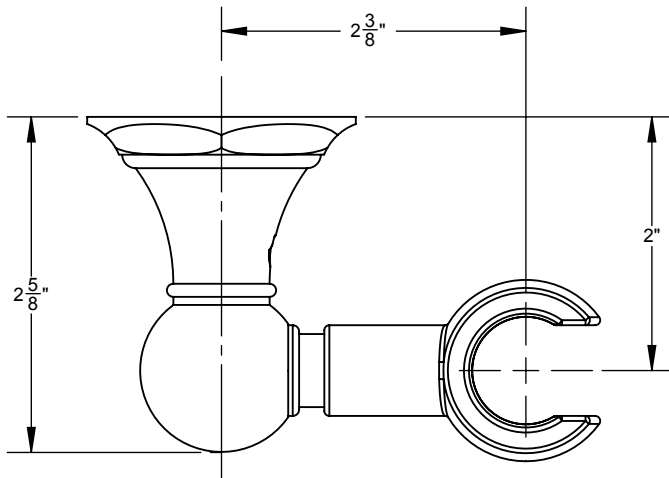
- All brass construction
- Available in 28 finishes including 13 PVD finishes
- Positive-Lock swivel holder
- Accepts most conical handshower hoses
- Includes all mounting hardware


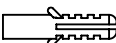


#### Codes/Standards Applicable

Meets or exceeds the following at date of manufacture:

- None applicable



	(2X) - #8 X 1-3/4" PHILLIPS HEAD SCREW
	(2X) - ANCHOR, PLASTIC #8-10 FINNED