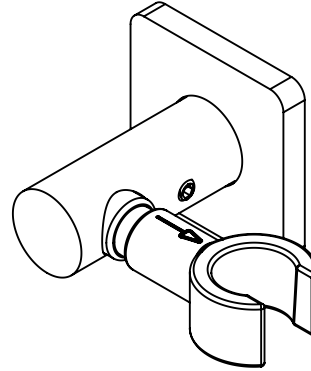




Features

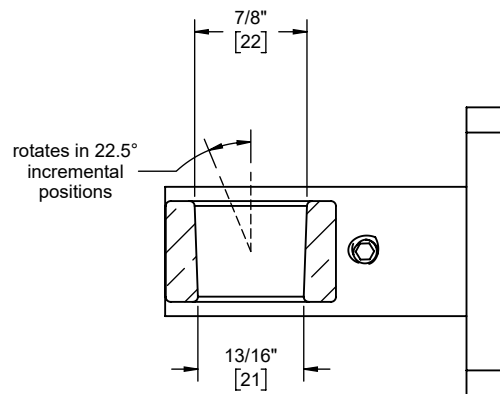
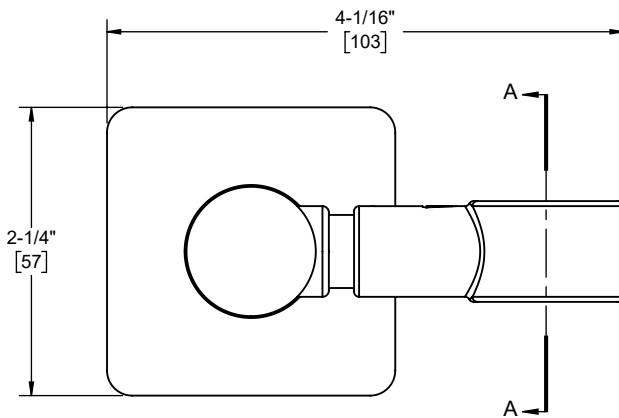
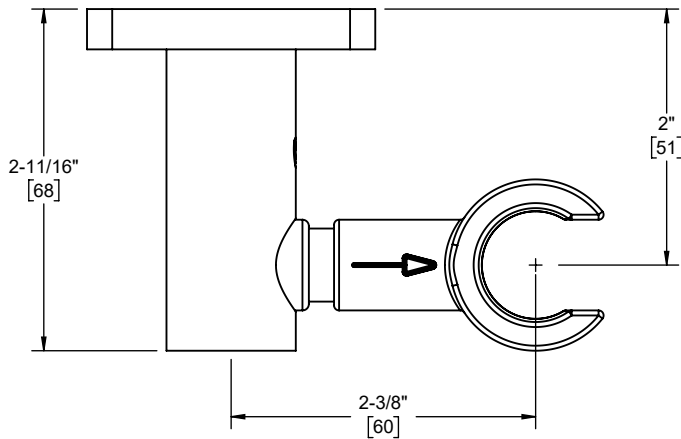
- 25+ artisan finishes including 12 PVD finishes
- All brass construction
- Positive-Lock swivel holder
- Accepts most conical handshower hoses
- All mounting hardware included




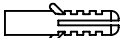
Codes/Standards Applicable

Product meets or exceeds the following:

- None applicable



SECTION A-A

	(1X) - #8 X 1-3/4" phillips head screw
	(1X) - anchor, plastic #8-10 finned

Dimensions are inches, rounded to 1/16"
[Dimensions in brackets are mm, rounded to 1mm]