



California Faucets®

CHRISTOPHERGRUBB Collection

Trousdale™

Handshower Wall Bracket

SH-20-C1

Features

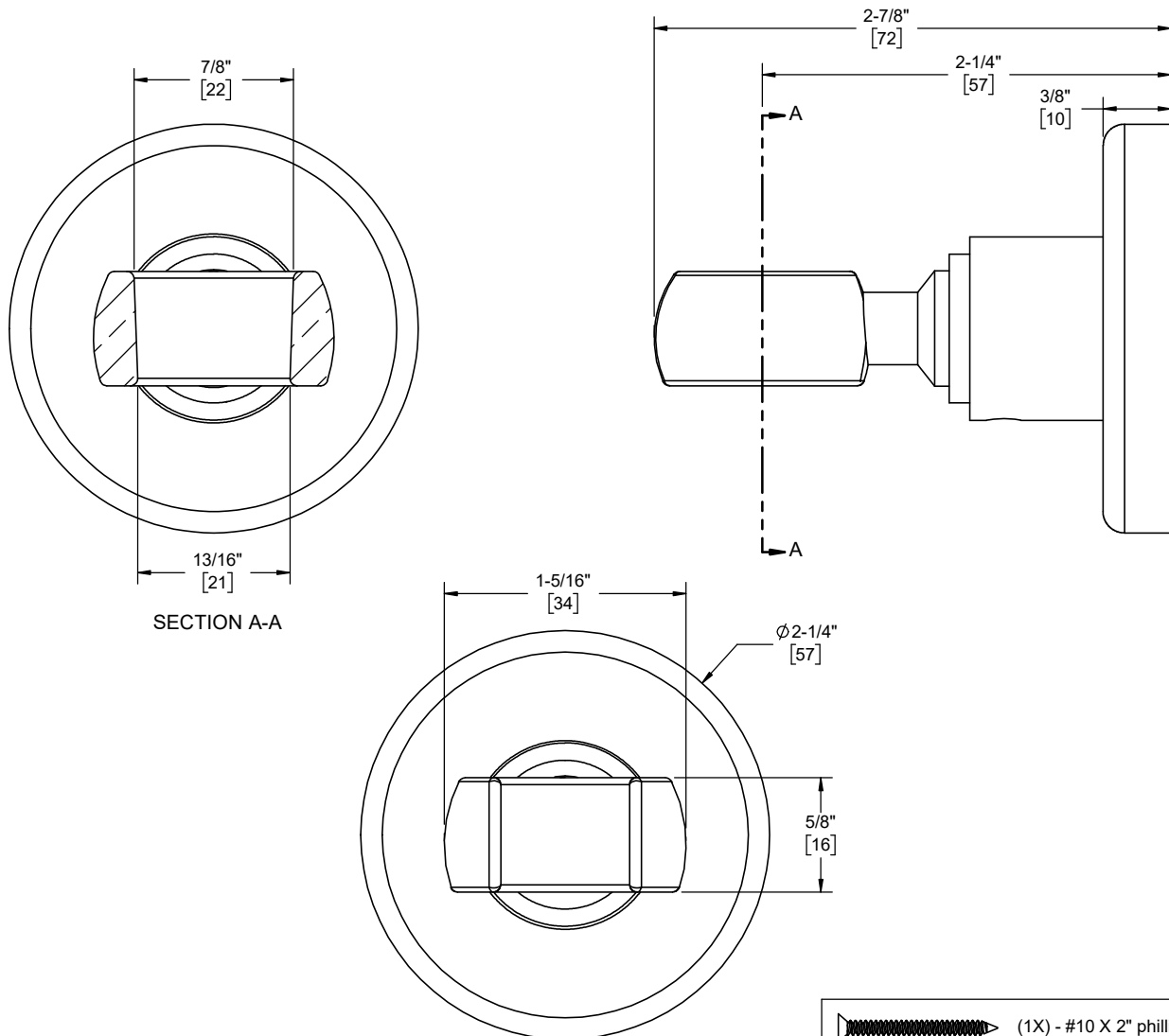
- Available in 27 finishes including 12 PVD finishes
- All brass construction
- All mounting hardware included
- Accepts most conical handshower hoses



Codes/Standards

Product meets or exceeds the following:

- None applicable



	(1X) - #10 X 2" phillips head screw
	(1X) - anchor, plastic #8-10 finned

Specifications subject to change without notice

Dimensions are inches, rounded to 1/16"
[Dimensions in brackets are mm, rounded to 1mm]