



California Faucets®

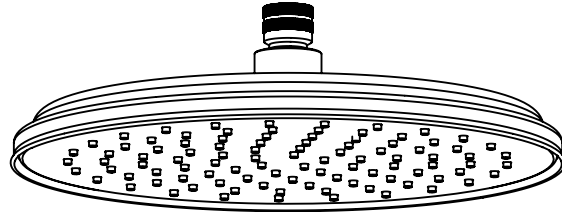
# Showerhead

10" Diameter Traditional

## Features

- Available in 28 finishes including 13 PVD finishes
- All brass construction
- 1/2" FIP inlet
- Self-cleaning rubber jets
- Showerhead flow rate:
  - SH-148-10.18 for 1.8 gpm
  - SH-148-10.20 for 2.0 gpm
  - SH-148-10.25 for 2.5 gpm

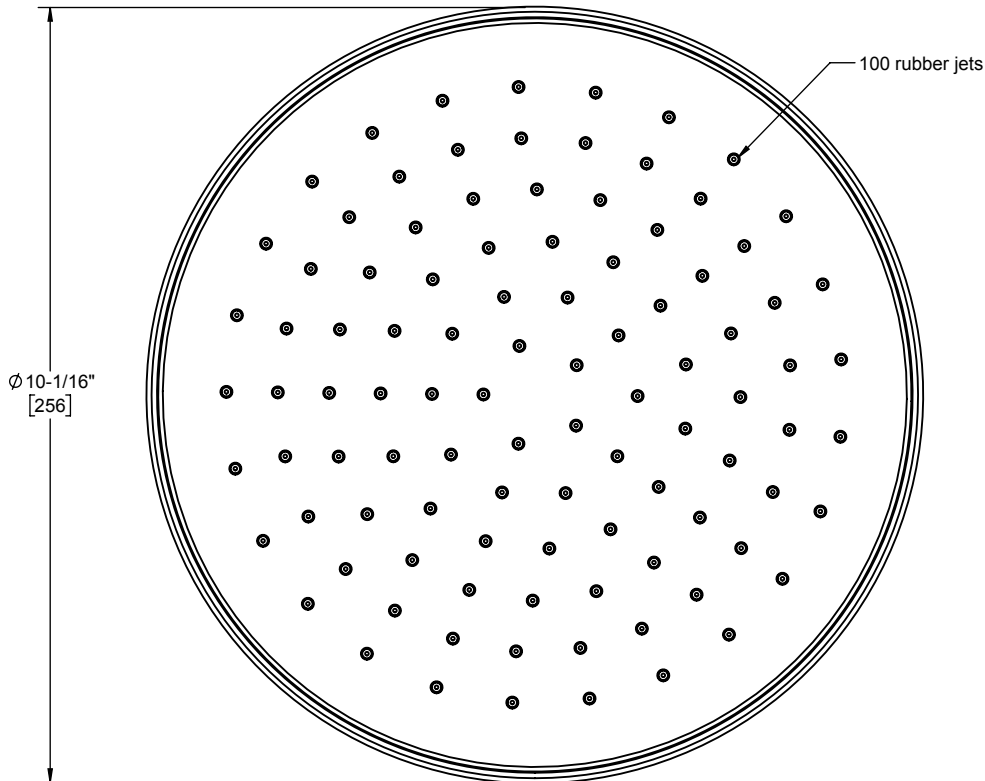
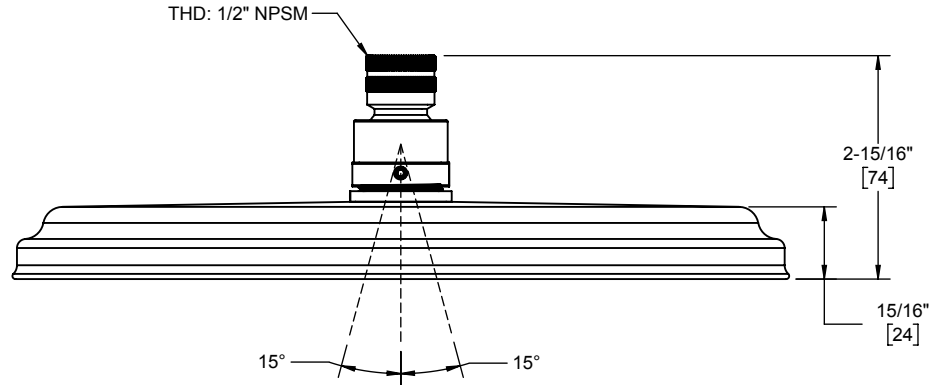
SH-148-10.18  
 SH-148-10.20  
 SH-148-10.25



## Codes/Standards

Product meets or exceeds the following:

- ASME A112.18.1/CSA B125.1
- CEC (1.8 gpm)
- DOE (1.8, 2.0, 2.5 gpm)
- EPA WaterSense (2.0 gpm)
- Commonwealth of MA



Specifications subject to change without notice

Dimensions are inches, rounded to 1/16"  
[Dimensions in brackets are mm, rounded to 1mm]