



Features

- Available in 28 finishes including 13 PVD finishes
- All brass construction
- Bar pivots 180° without loosening slide handle
- Adjustable position slide with positive-detent swivel holder
- Accepts most conical handshower hoses
- Right or left handed based on installation
- Includes all mounting hardware

Codes/Standards

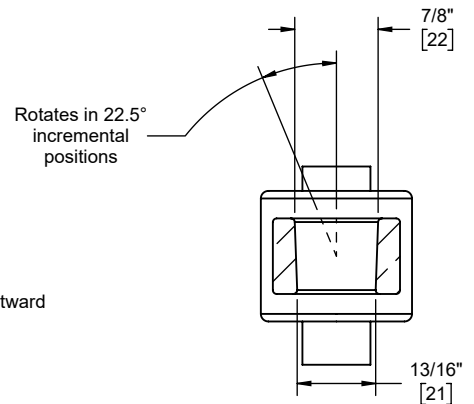
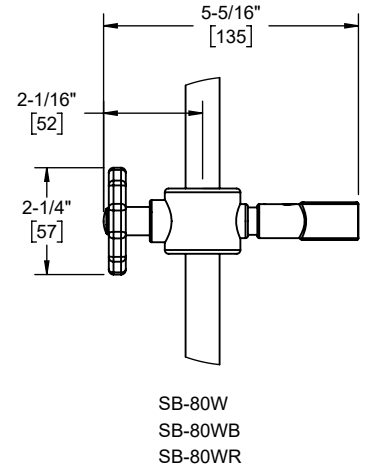
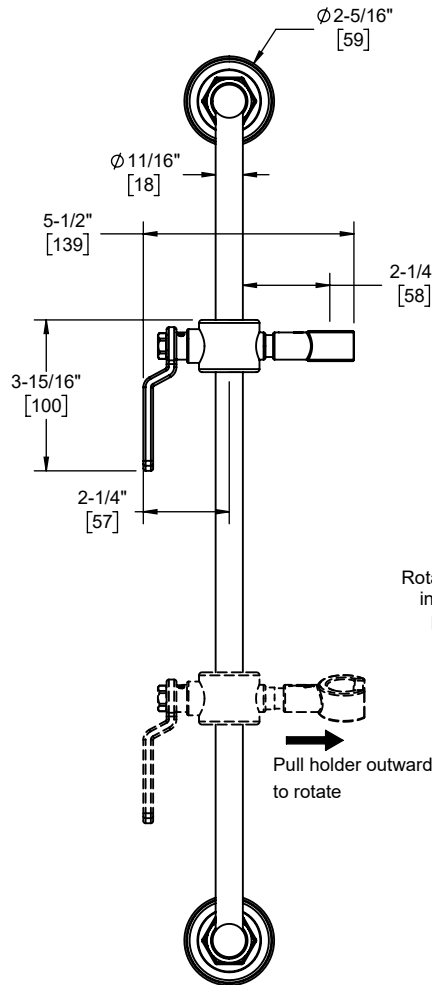
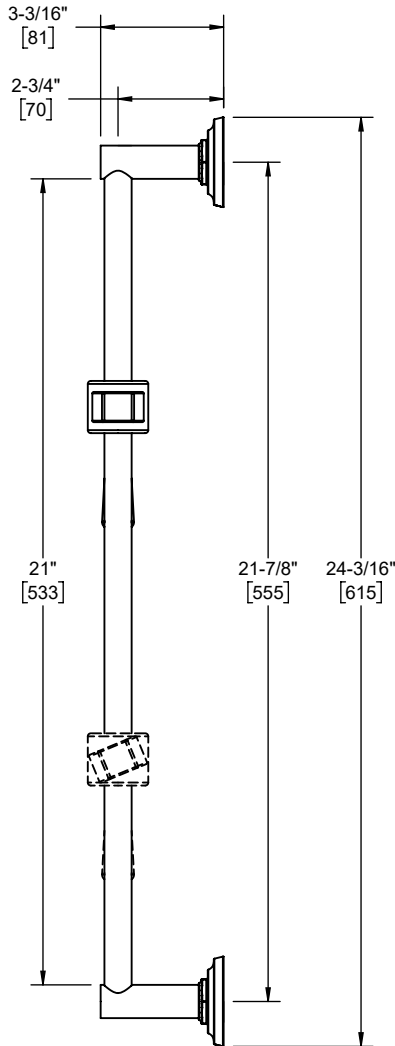
Product meets or exceeds the following:

- ASME A112.18.1/CSA B125.1



SB-80 shown SB-80W shown

SB-80
SB-80W
SB-80WB
SB-80WR



SCALE: 1 : 2

- (4X) - #8 - 1" phillips head screw
- (4X) - #8-10 anchor, finned