



California Faucets®

Morro Bay™

STYLETHERM TRIM ONLY W/ DUAL VOLUME CONTROL

Features

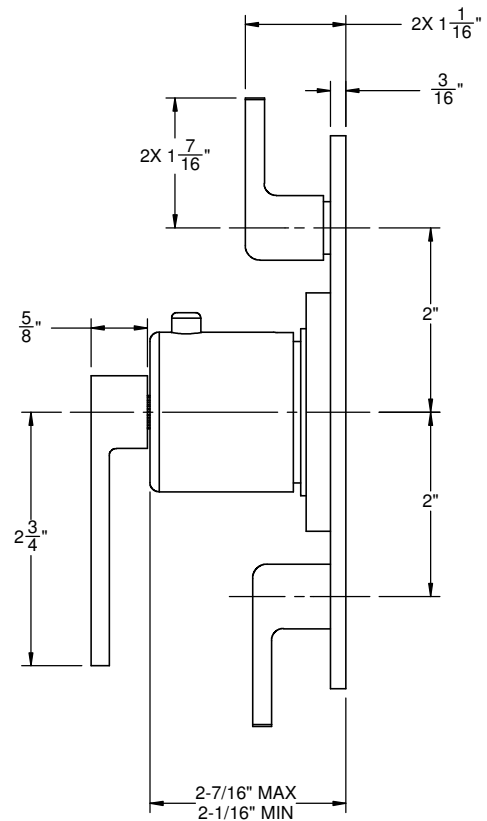
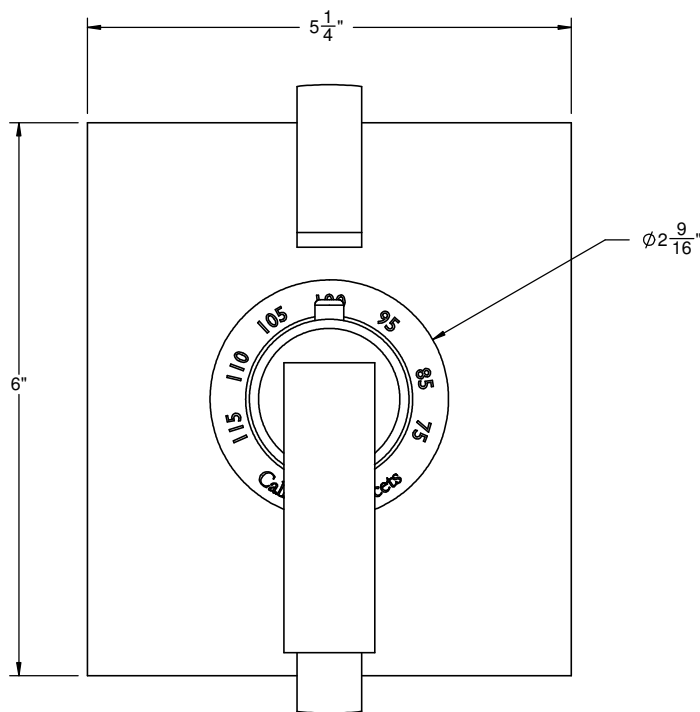
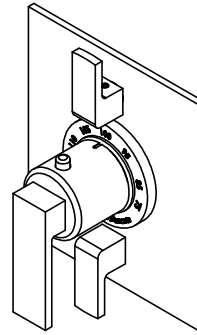
- All brass construction
- 100° F safety stop button with manual override
- Dual integral volume control
- 6" by 5-1/4" rectangular faceplate; flat profile
- Less head, arm, flange and spout
- Engraved brass temperature ring
- Over 30 finishes including 15 PVD finishes

Codes/Standards Applicable

Product meets or exceeds the following:

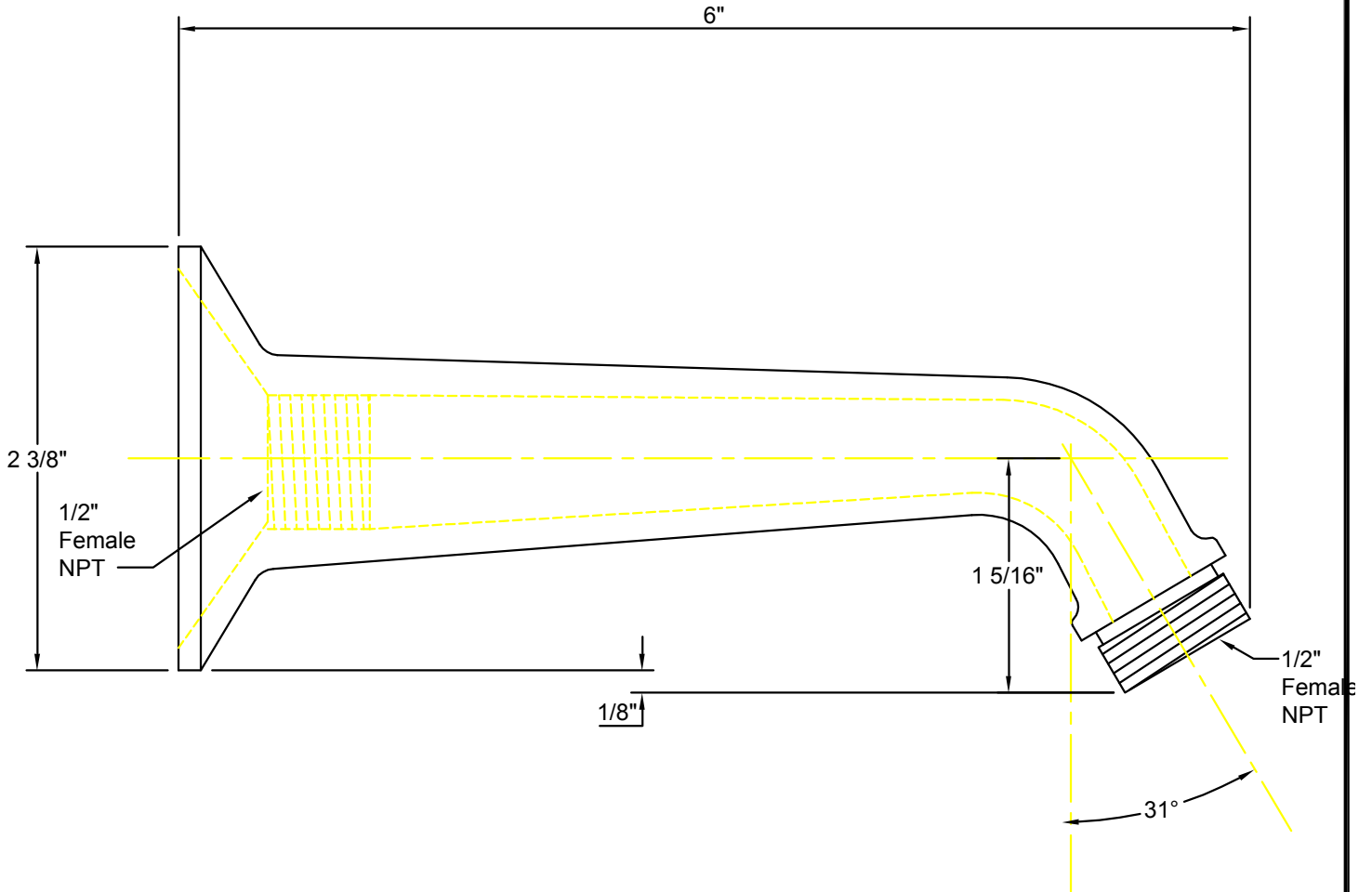
- ASME A112.18.1/CSA B125.1
- ASSE 1016
- ADA compliant

TO-THF2L-77



ALL DIMENSIONS SHOWN TO NEAREST 1/16"

IMPORTANT:
All dimensions are + or -




California Faucets®
info@calfaucets.com
www.calfaucets.com

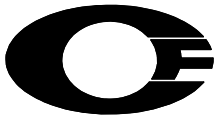
FIXTURE:
One Piece 6" Shower Arm

MODEL #: SH-01.6

DWG NO: .

REV:

REVISIONS	REV DATE	STARTING DATE:
		APPRVD DATE:
		APPRVD BY:
		SCALE: None
		DRAWN BY: William Linares william@calfaucets.com



California Faucets®

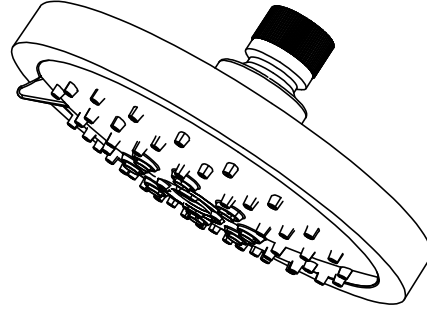
SHOWERHEAD

5-5/8" MULTI-FUNCTION CONTEMPORARY

Features

- 1/2" FIP inlet
- 3 function: rain, air & massage
- Self-cleaning rubber jets
- Solid brass pivot ball & body
- 5-5/8" diameter, gray face
- Over 30 finishes including 15 PVD finishes
- Replace .FR with desired max flow rate:
 - SH-083.25 for 2.5 gpm
 - SH-083.20 for 2.0 gpm
 - SH-083.18 for 1.8 gpm

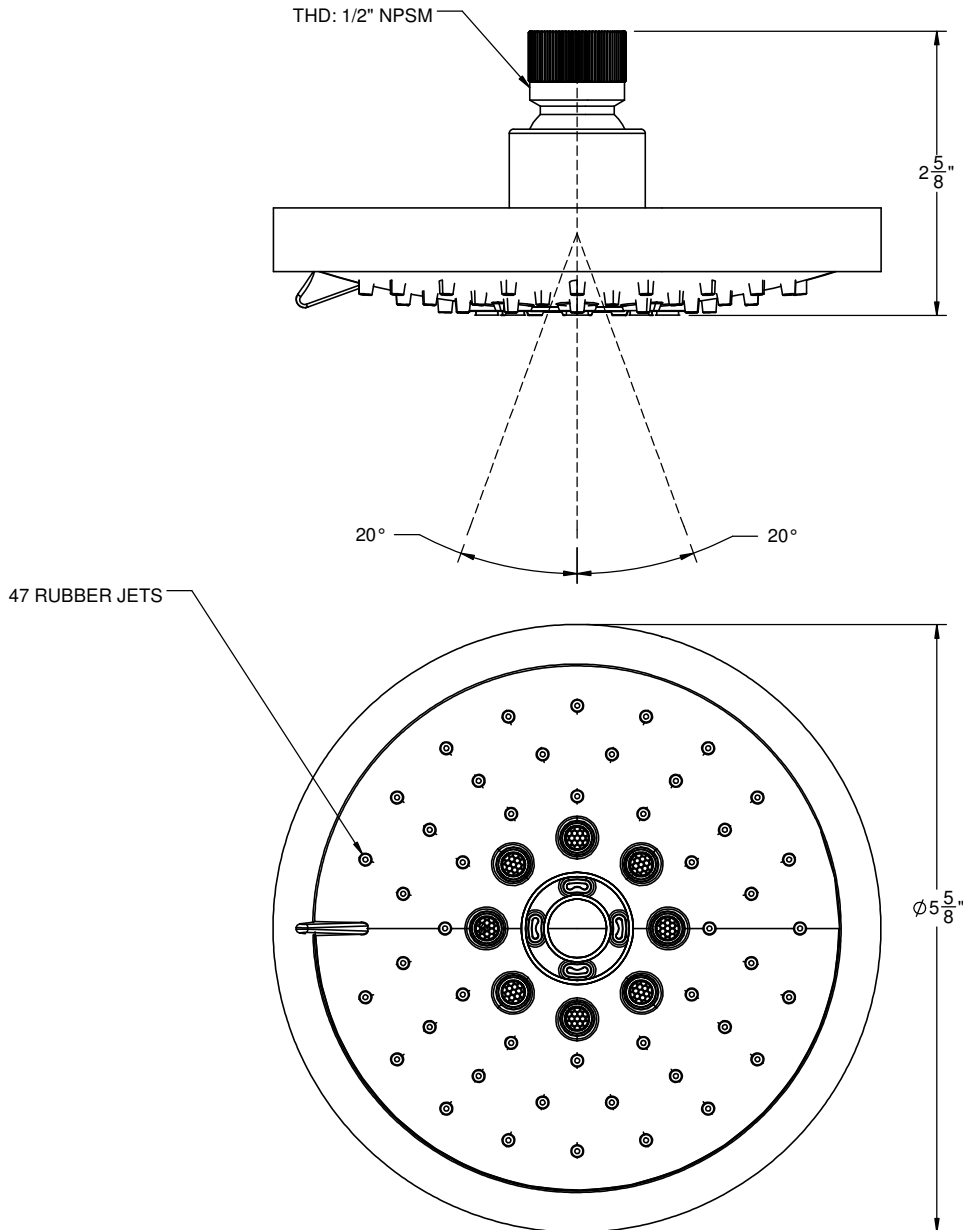
SH-083.25
SH-083.20
SH-083.18



Codes/Standards

Product meets or exceeds the following:

- ASME A112.18.1/CSA B125.1
- CEC (1.8 gpm)
- DOE (2.5, 2.0, & 1.8 gpm)
- Commonwealth of MA
- EPA WaterSense Showerhead (2.0 gpm)





California Faucets®

Handshower

CONTEMPORARY

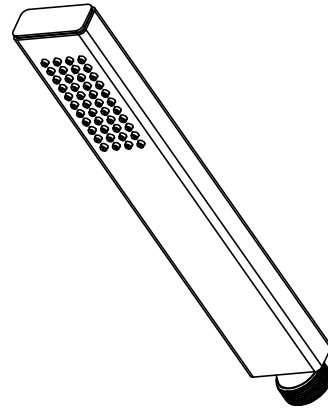
Features

- 1/2" MIP inlet
- Brass construction
- Self-cleaning rubber jets
- Replace .FR with desired max flow rate:
HS-72.25 for 2.5 gpm
HS-72.18 for 1.8 gpm

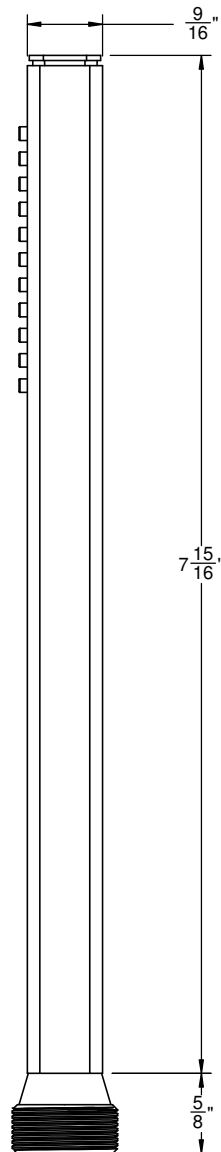
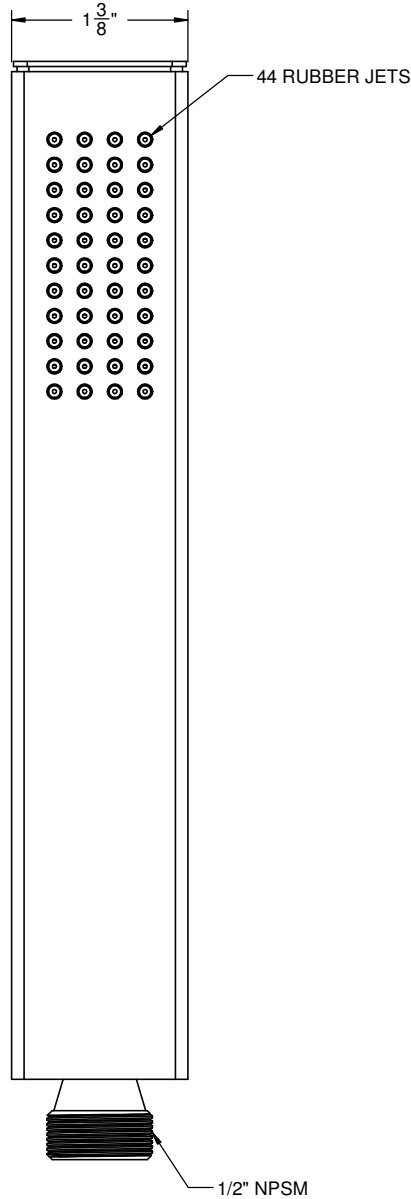
Codes/Standards

Product meets or exceeds the following:

- ASME A112.18.1/CSA B125.1
- CEC (1.8 gpm)
- DOE (2.5 & 1.8 gpm)
- Commonwealth of MA



HS-72.25
HS-72.18





Features

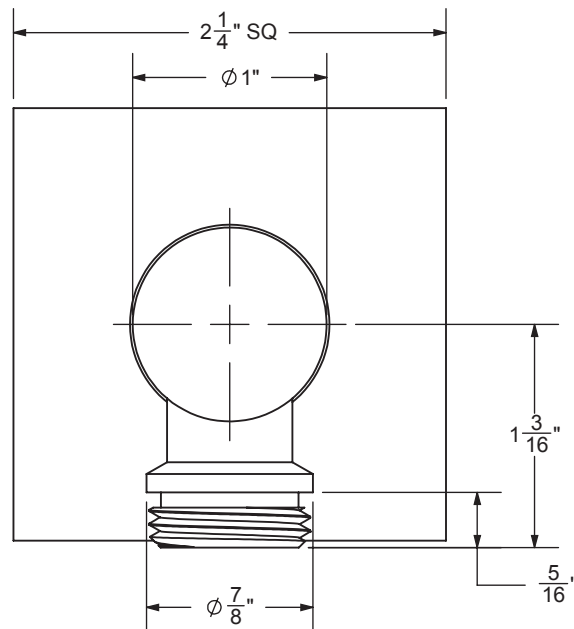
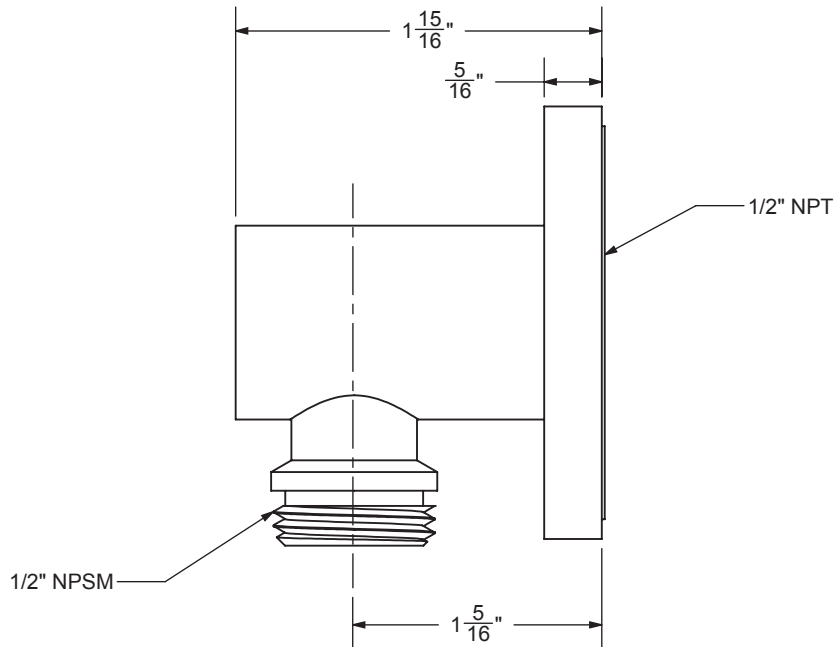
- Over 30 finishes including 13 PVD finishes
- All brass construction
- 1/2" NPT (female) inlet connection
- 1/2" NPSM (male) outlet connection

SH-10-77



Codes/Standards Applicable

- Product meets or exceeds the following:
- ASME A112.18.1/CSA B125.1

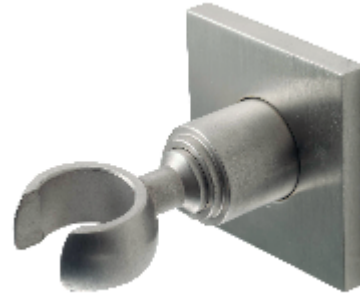




SH-20-77

Features

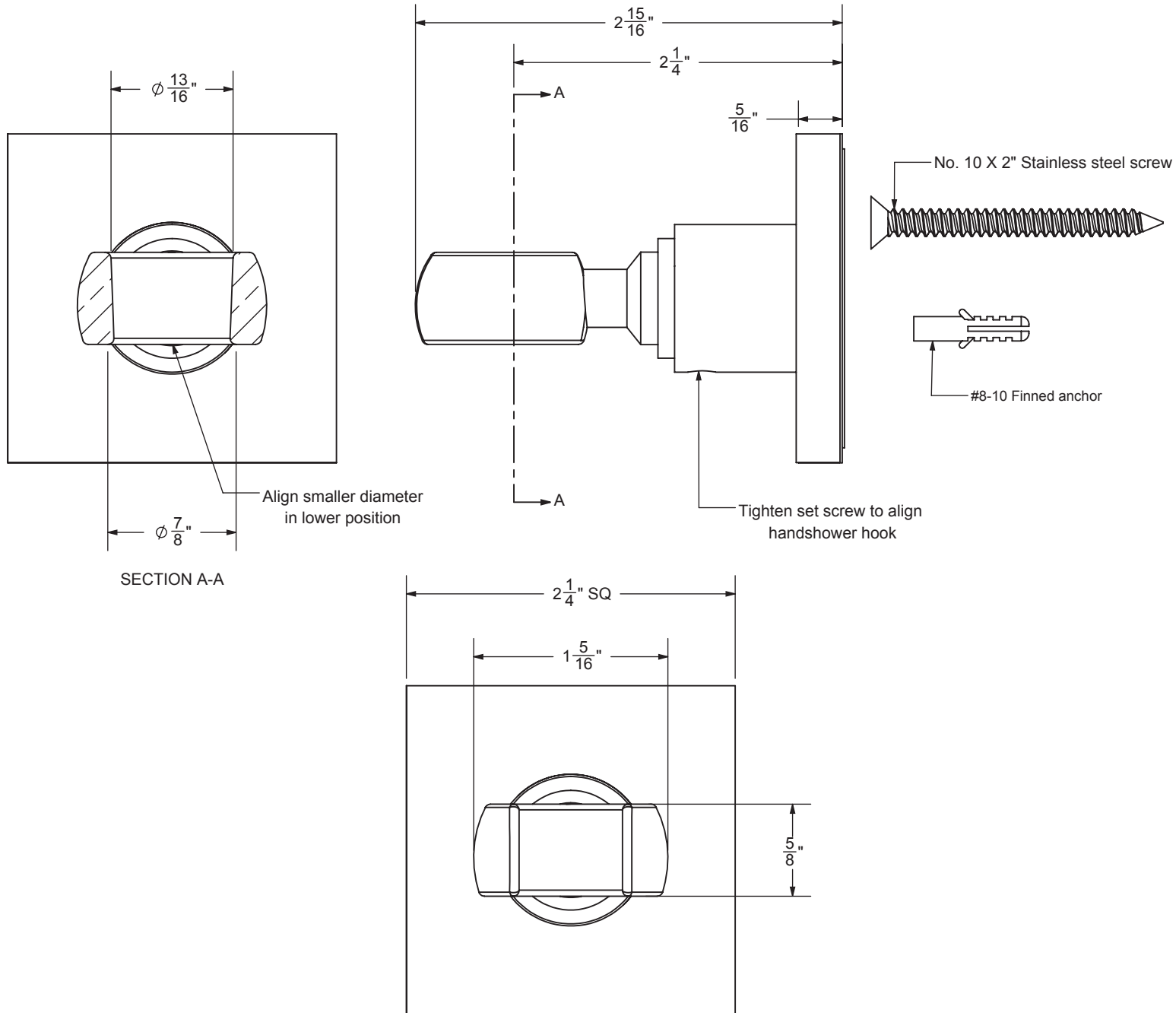
- Over 30 finishes including 13 PVD finishes
- All brass construction
- All mounting hardware included
- Accepts most conical handshower hoses



Codes/Standards Applicable

Product meets or exceeds the following:

- ASME A112.18.1/CSA B125.1





California Faucets®

Handshower

HANDSHOWER HOSE

Features

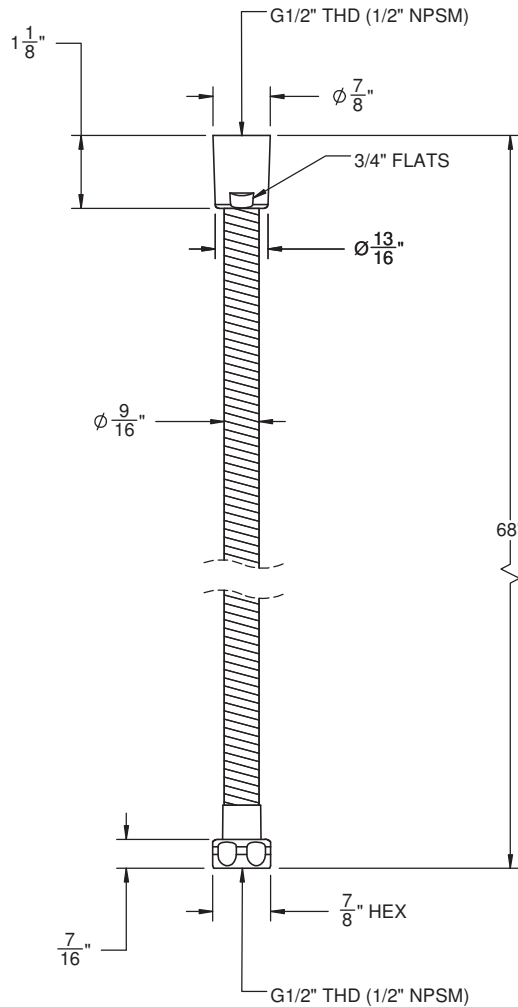
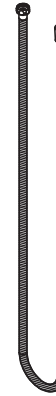
- 1/2" FIP inlet
- 1/2" FIP outlet
- Double spiral out hose for added strength
- Solid brass construction
- Over 30 finishes include 16 PVD finishes

Codes/Standards Applicable

Meets or exceeds the following at date of manufacture:

- ASME A112.18.1/CSA B125.1

HS-68



ALL DIMENSIONS SHOWN TO NEAREST 1/16"