



California Faucets®

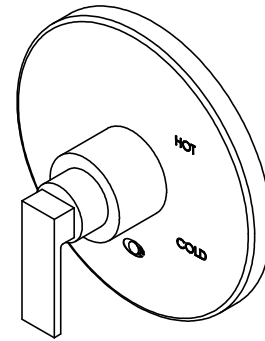
Morro Bay™

1/2" PRESSURE BALANCE TRIM ONLY

Features

- Screwless faceplate
- 7-1/4" round faceplate
- Less head, arm, flange and spout
- Over 30 finishes including 15 PVD finishes

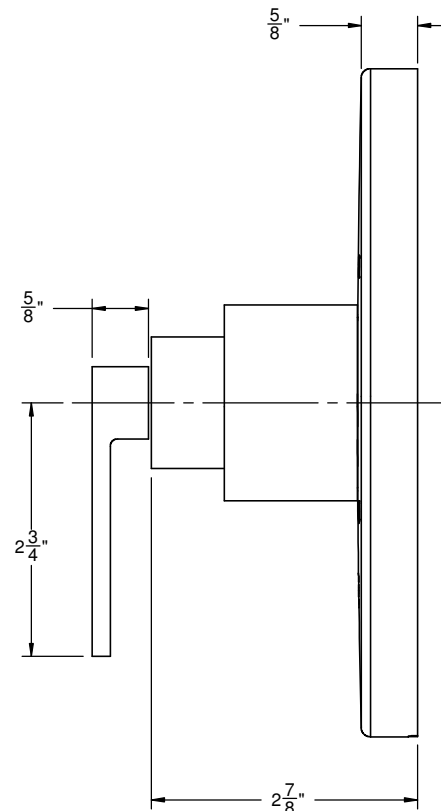
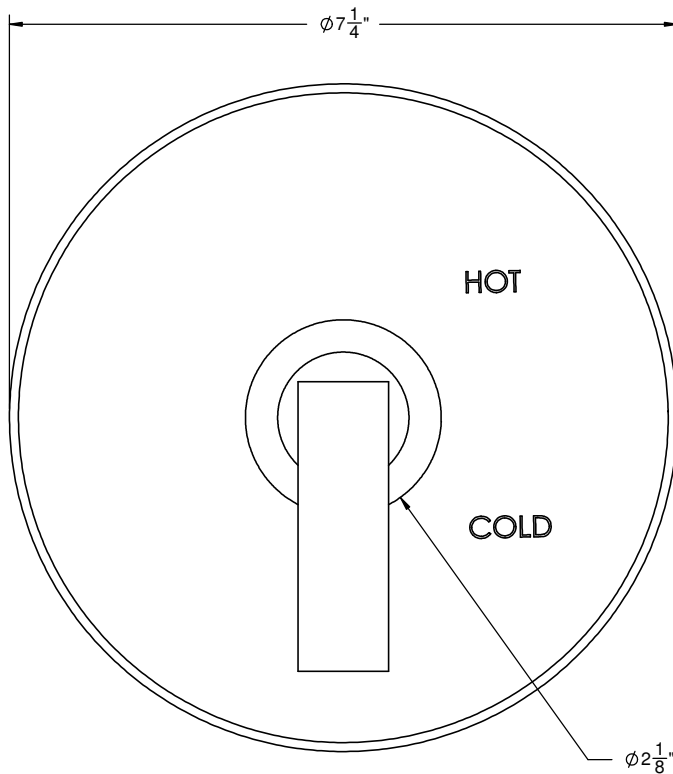
TO-PBL-77



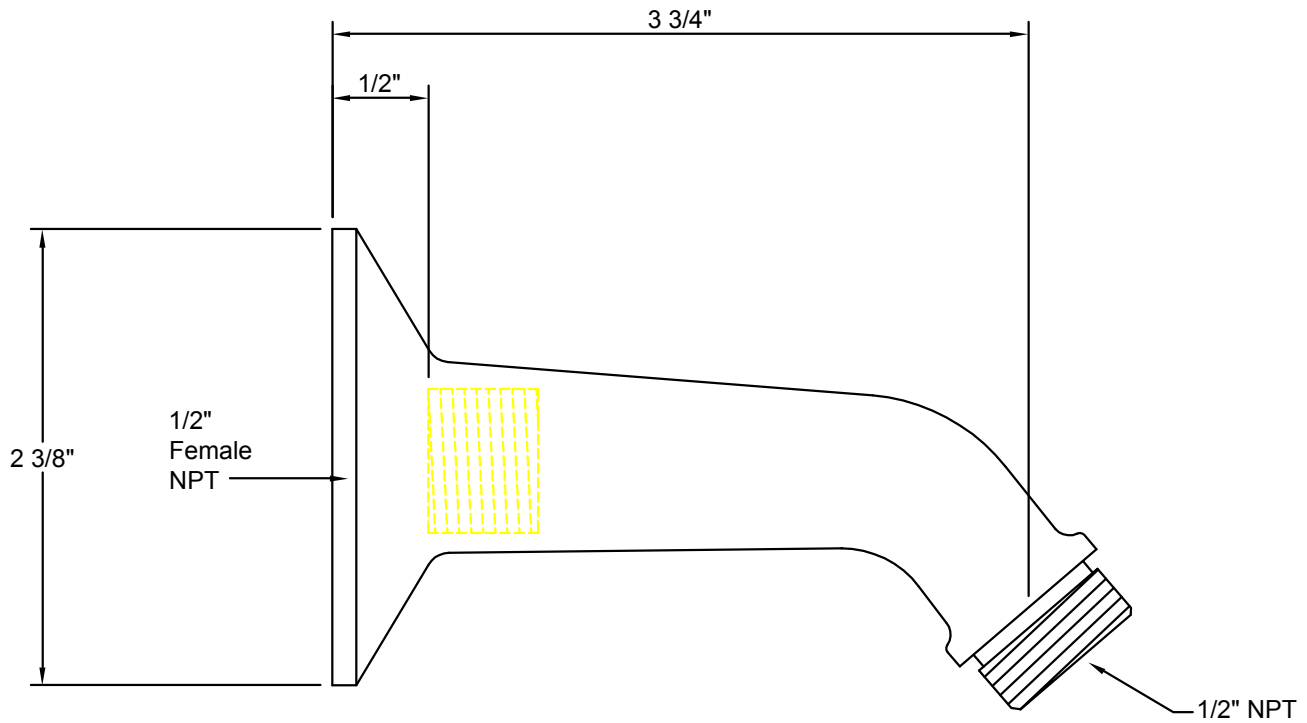
Codes/Standards Applicable

Product meets or exceeds the following:

- ASME A112.18.1/CSA B125.1
- ASSE 1016
- ADA compliant



ALL DIMENSIONS SHOWN TO NEAREST 1/16"



A Division of
California Faucets

Decorative Trim for Bath & Kitchen
info@calfaucets.com
www.calfaucets.com

5231 Argosy Drive
Huntington Beach, CA 92649

Tel: 714-891-7797
Fax: 714-891-2478
Toll Free: 800-822-8855

Fixture:

SH-01

Revision date: April 1, 2005

Date: October 1, 2004

Scale: None

Drawn by: William Linares
william@calfaucets.com

Technical Supervisor: Joe Mainberger



9206

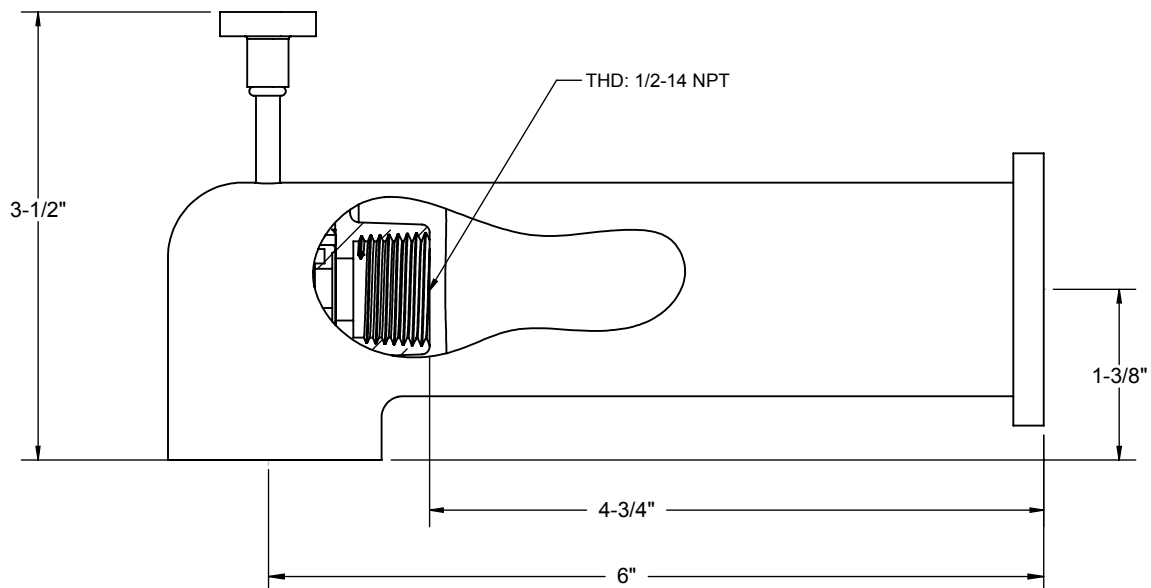
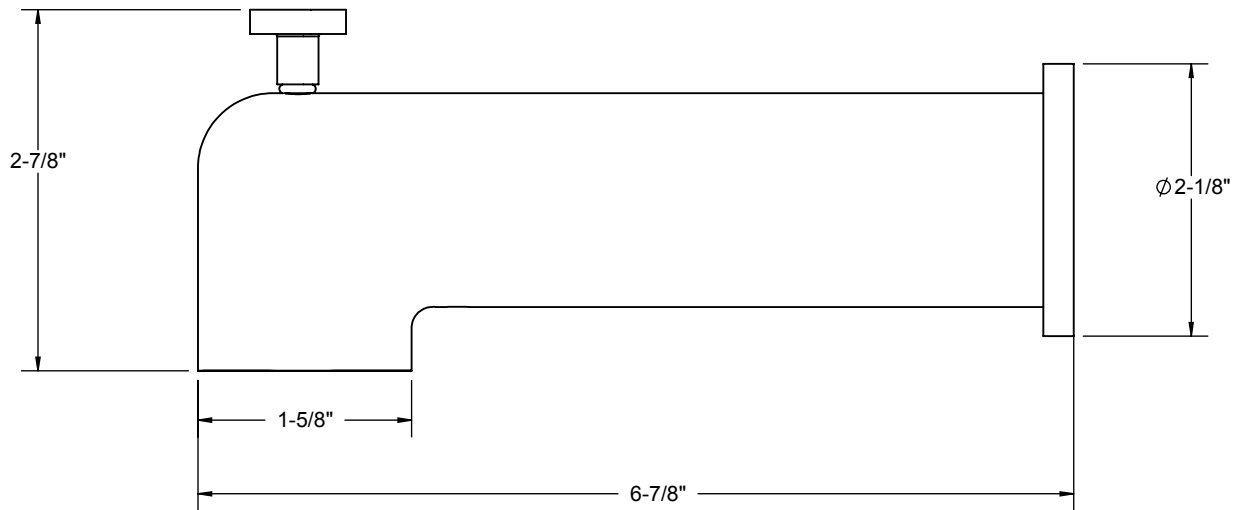
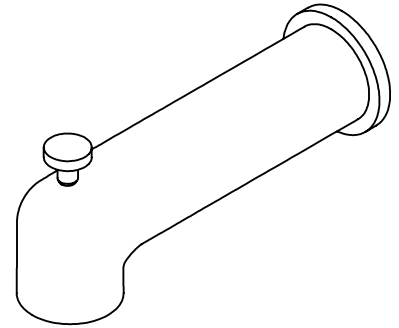
Features

- Available in over 30 finishes including 11 PVD finishes
- All brass construction
- 6" spout reach
- 1/2" NPT inlet

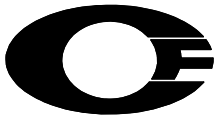
Codes/Standards Applicable

Specified model meets or exceeds the following:

- ASME A112.18.1/CSA B125.1



DIMENSIONS SHOWN TO NEAREST 1/16"



STYLEFLOW[®] AIR QUA

California Faucets[®]

4-3/4" SINGLE FUNCTION CONTEMPORARY SHOWERHEAD

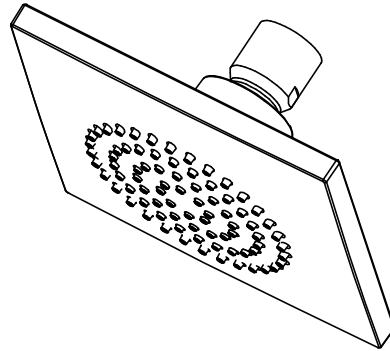
Features

- 1/2" FIP inlet
- Air induction technology
- Single function showerhead
- Self cleaning rubber jets
- Solid brass pivot ball, ABS body
- 4-3/4" square finished face
- Replace .FR with desired max flow rate:
 - SH-431.25 for 2.5 gpm
 - SH-431.20 for 2.0 gpm
 - SH-431.18 for 1.8 gpm
 - SH-431.15 for 1.5 gpm

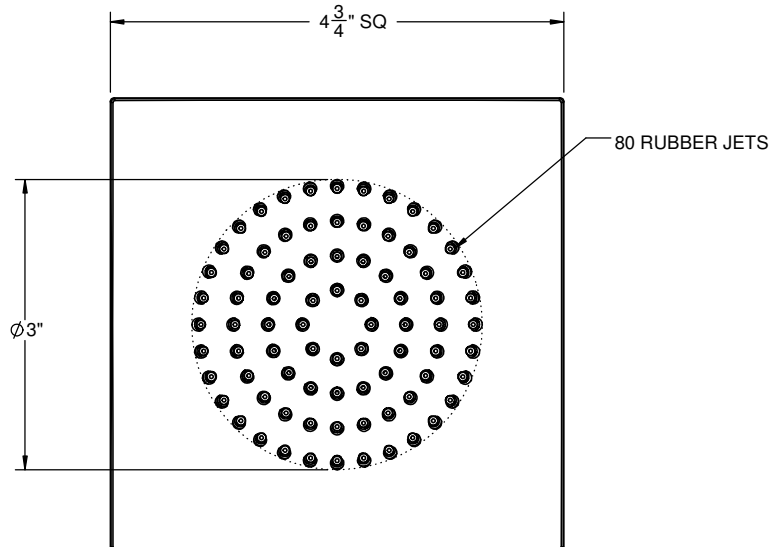
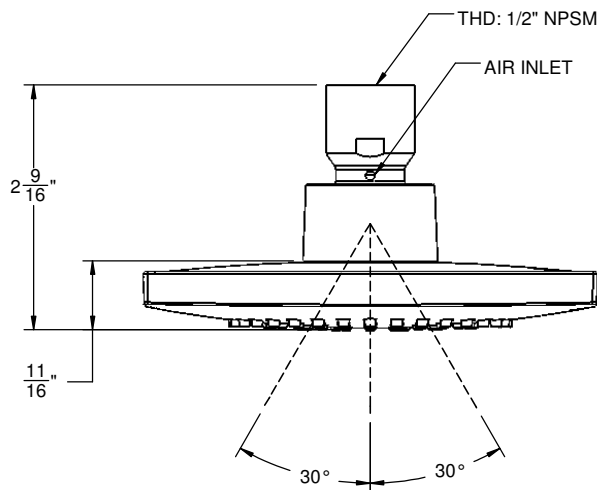
Codes/Standards Applicable

Product meets or exceeds the following:

- ASME A112.18.1/CSA B125.1
- CEC (1.8 & 1.5 gpm)
- DOE (2.5, 2.0, 1.8, & 1.5 gpm)
- Commonwealth of MA
- EPA WaterSense (2.0, 1.8, & 1.5 gpm)



SH-431.25
 SH-431.20
 SH-431.18
 SH-431.15

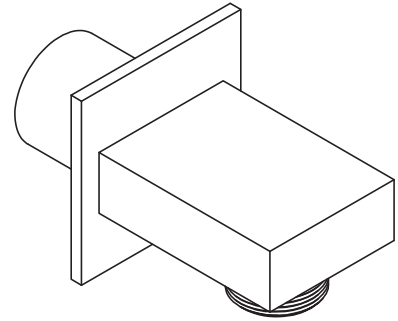




Features

- Over 30 finishes including 14 PVD finishes
- Solid brass constructions
- 1/2" NPT (female) inlet connection
- 1/2" NPSM (male) outlet connection
- Quick connect attachment

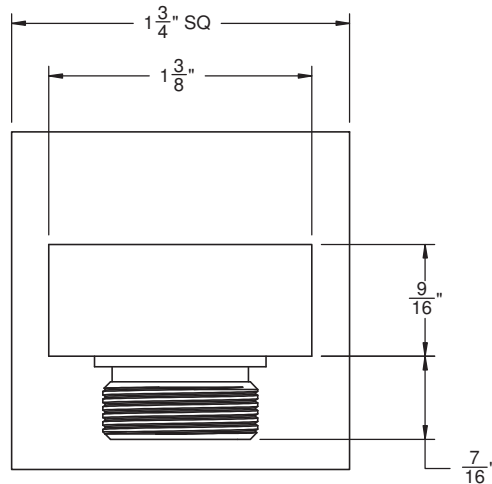
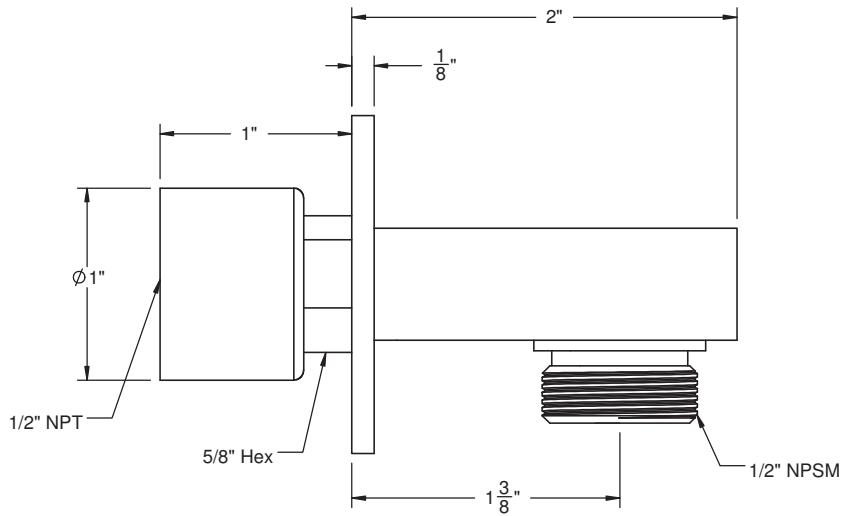
SH-10-72



Codes/Standards Applicable

Meets or exceeds the following at date of manufacture:

- ASME A112.18.1/CSA B125.1



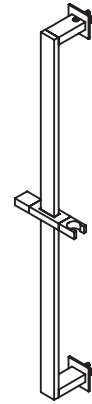
ALL DIMENSIONS SHOWN TO NEAREST 1/16"



Features

- Over 30 finishes including 14 PVD finishes
- Solid brass construction
- Handshower holder slides up and down on bar
- Handshower holder accepts most conical end of hoses (rotates allowing for various spray direction)
- Right or left handed based on installation
- Includes all mounting hardware
- For additional product offerings, see www.californiafaucets.com

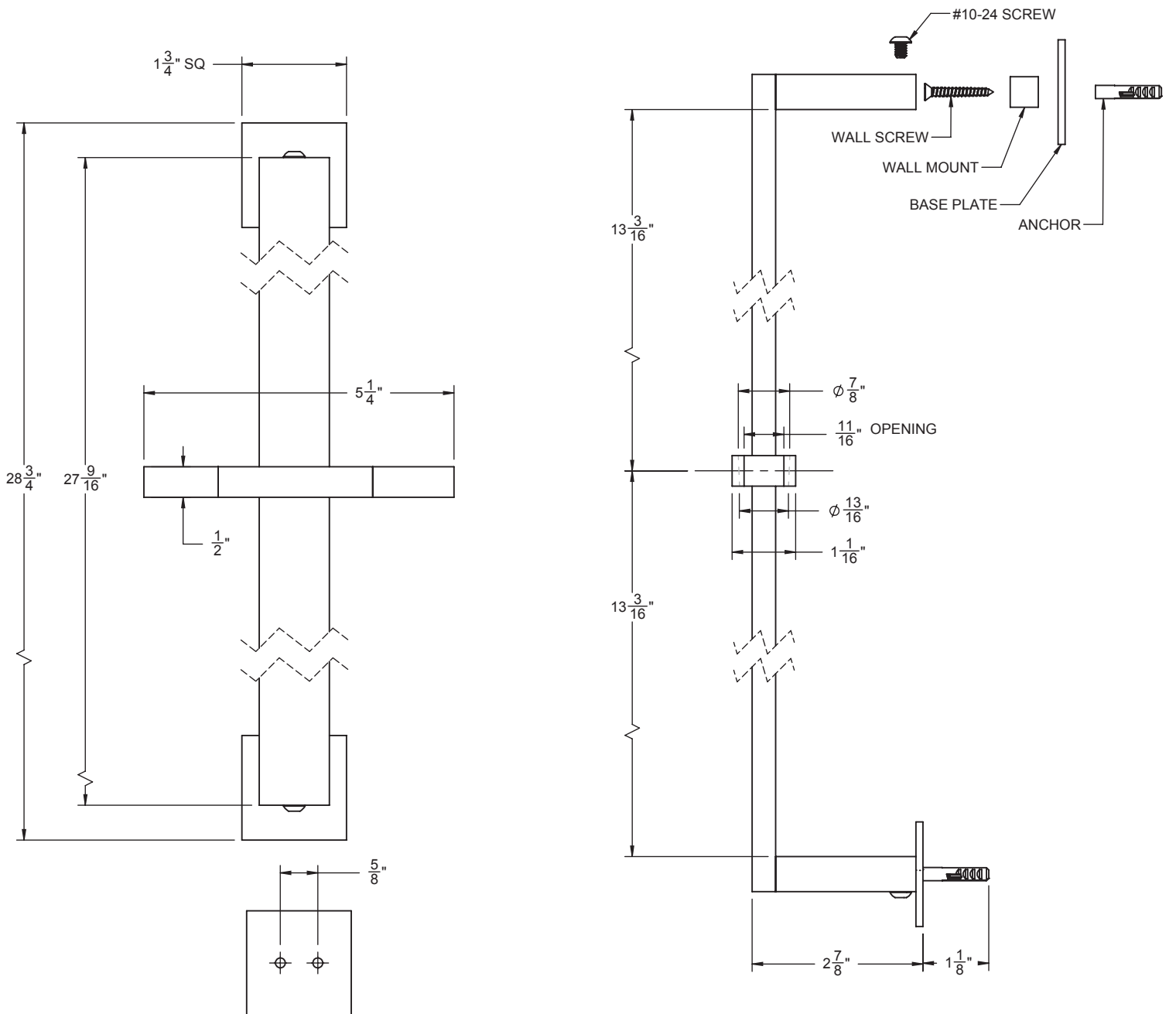
SB-72



Codes/Standards Applicable

Meets or exceeds the following at date of manufacture:

- ASME A112.18.1/CSA B125.1



ALL DIMENSIONS SHOWN TO NEAREST 1/16"



California Faucets®

Handshower

HANDSHOWER HOSE

Features

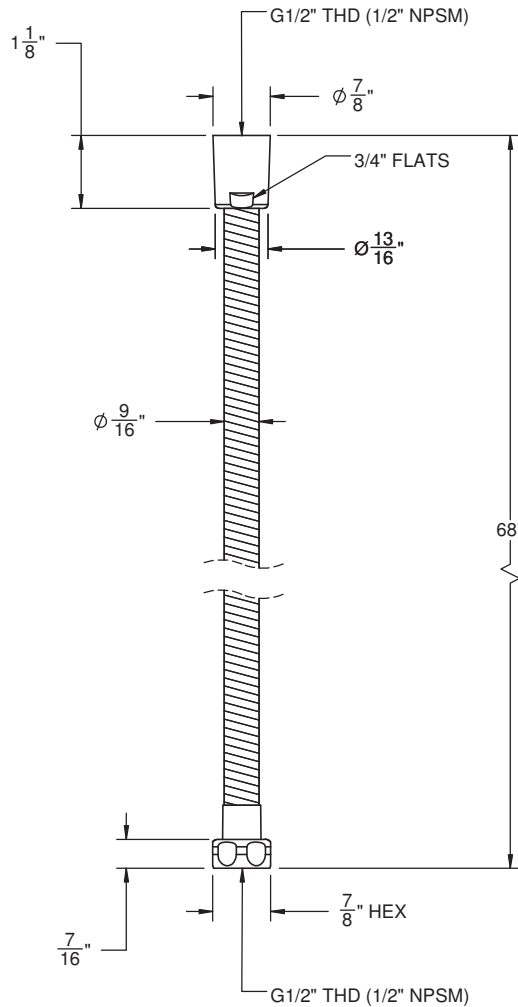
- 1/2" FIP inlet
- 1/2" FIP outlet
- Double spiral out hose for added strength
- Solid brass construction
- Over 30 finishes include 16 PVD finishes

Codes/Standards Applicable

Meets or exceeds the following at date of manufacture:

- ASME A112.18.1/CSA B125.1

HS-68



ALL DIMENSIONS SHOWN TO NEAREST 1/16"