



California Faucets®

Montara™

STYLETHERM 3/4" THERMOSTATIC TRIM ONLY

TO-THN-66

Features

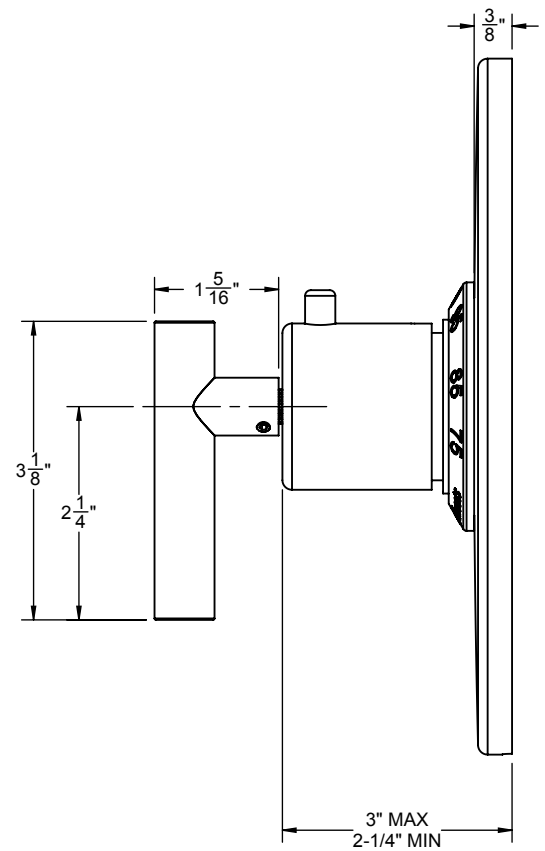
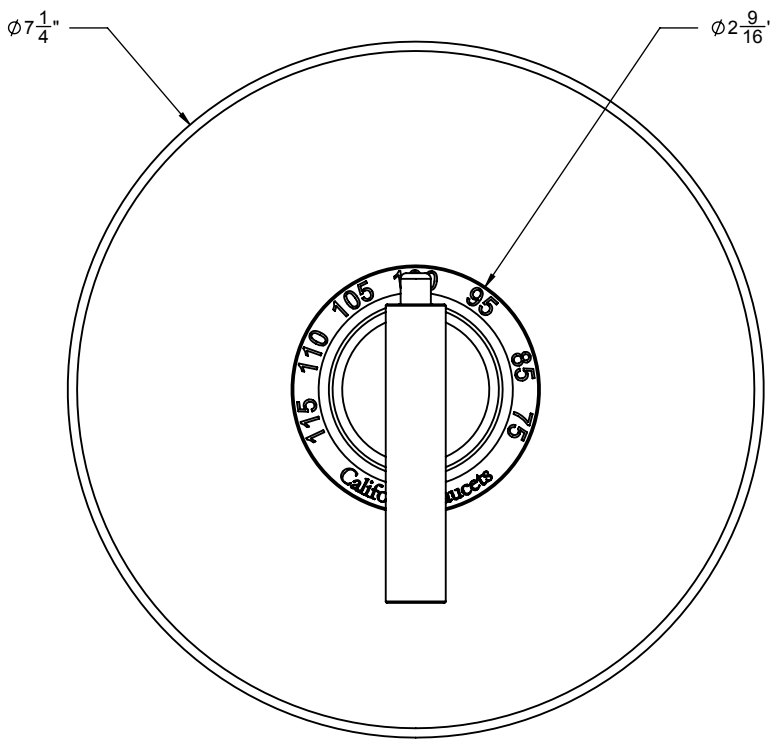
- 100° F safety stop button with manual override
- 7-1/4" diameter round faceplate
- Engraved brass temperature ring
- All brass construction
- Over 30 finishes including 15 PVD finishes



Codes/Standards Applicable

Product meets or exceeds the following:

- ASME A112.18.1/CSA B125.1
- ASSE 1016
- ADA compliant





California Faucets®

Montara

WALL OR DECK HANDLE TRIM ONLY

TO-66-W

Features

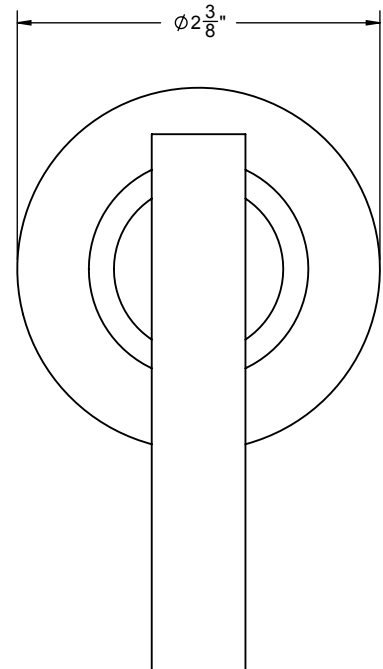
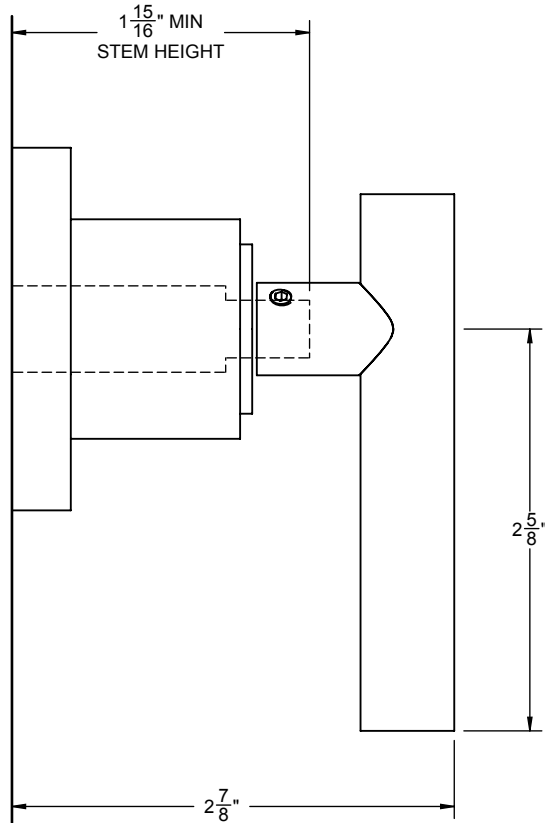
- Base diameter 2-3/8"
- Use for wall stop, wall diverter or deck diverter
- Rough valve (50W-R, 75-W-R, WDV-R, DDV-R) sold separately
- All brass construction
- Over 30 finishes including 13 PVD finishes



Codes/Standards Applicable

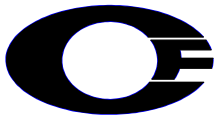
Product meets or exceeds the following:

- ASME A112.18.1/CSA B125.1
- ADA compliant



THROUGH-HOLE SPECIFICATIONS

MIN	RECOMMENDED	MAX
Ø 1"	Ø 1-3/8"	Ø 1-1/2"



California Faucets®

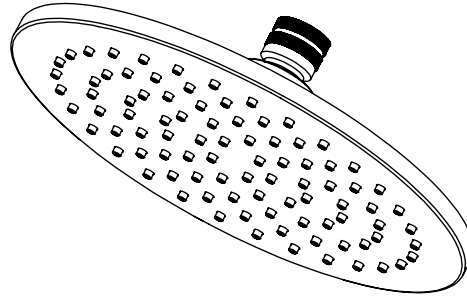
SHOWERHEAD

8" ROUND CONTEMPORARY

Features

- 1/2" FIP inlet
- 8" diameter
- Self-cleaning rubber jets
- Solid brass construction
- Over 30 finishes including 15 PVD finishes
- Replace .FR with desired flow rate:
 SH-162-8.15 for 1.5 gpm
 SH-162-8.18 for 1.8 gpm
 SH-162-8.20 for 2.0 gpm
 SH-162-8.25 for 2.5 gpm

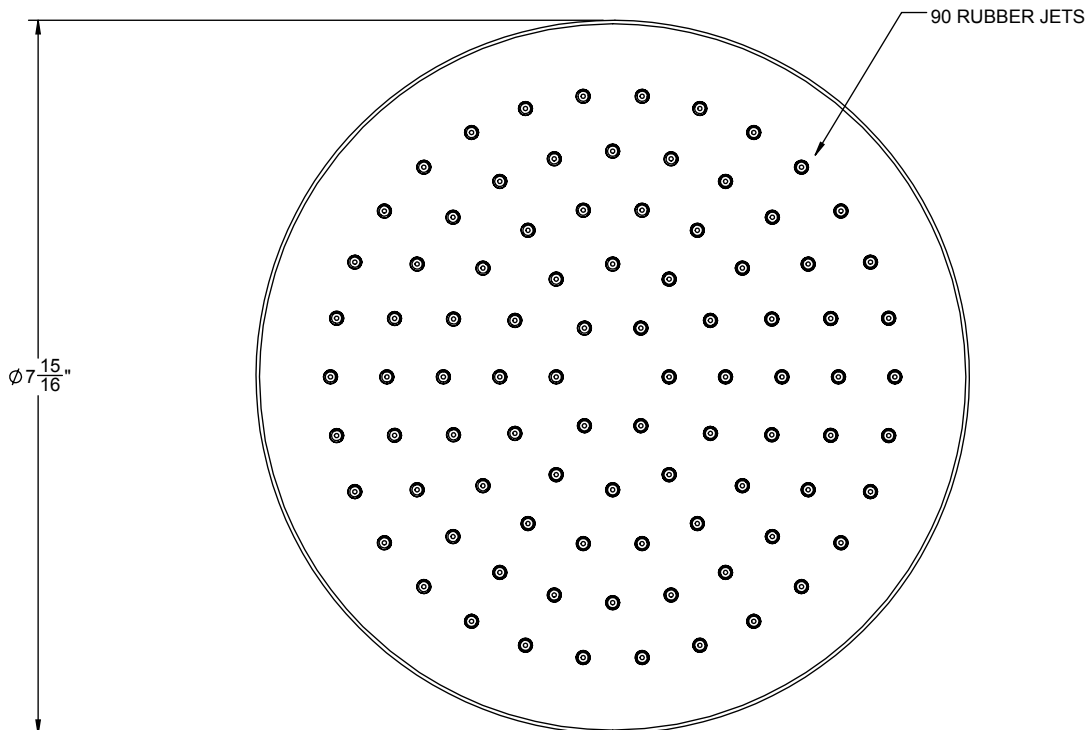
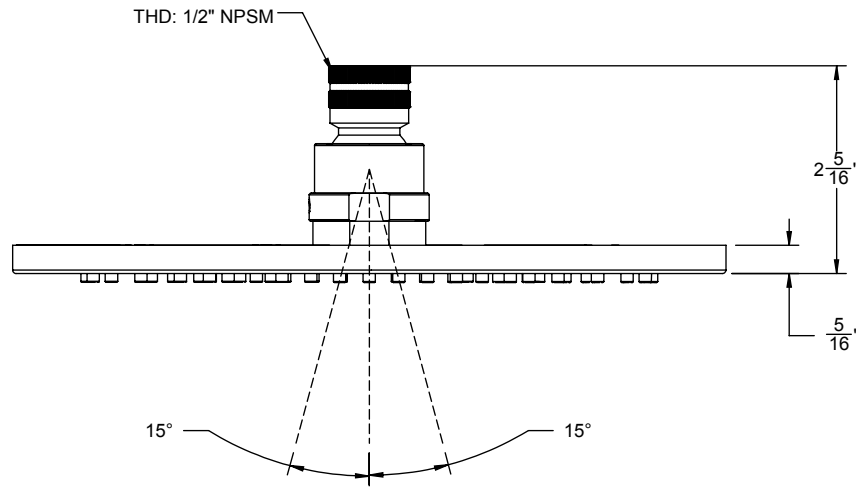
SH-162-8.15
 SH-162-8.18
 SH-162-8.20
 SH-162-8.25

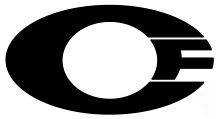


Codes/Standards

Product meets or exceeds the following:

- ASME A112.18.1/CSA B125.1
- CEC (2.0, 1.8, 1.5 gpm)
- DOE (2.5, 2.0, 1.8, & 1.5 gpm)
- Commonwealth of MA





California Faucets®

Handshower

4-1/16" BRASS MULTI-FUNCTION HANDSHOWER

Features

- 1/2" MIP inlet
- 3 function handshower: rain, air, & massage
- Self-cleaning rubber jets
- All brass body
- 4-1/16" diameter, gray face
- Replace .FR with desired max flow rate
 - HS-083.25 for 2.5 gpm
 - HS-083.20 for 2.0 gpm
 - HS-083.18 for 1.8 gpm
- Over 28 finishes including 13 PVD finishes

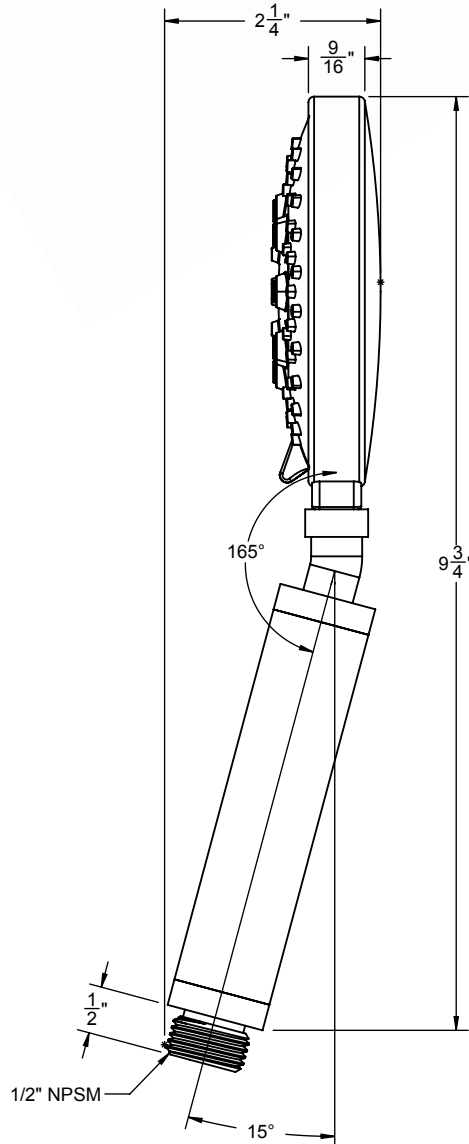
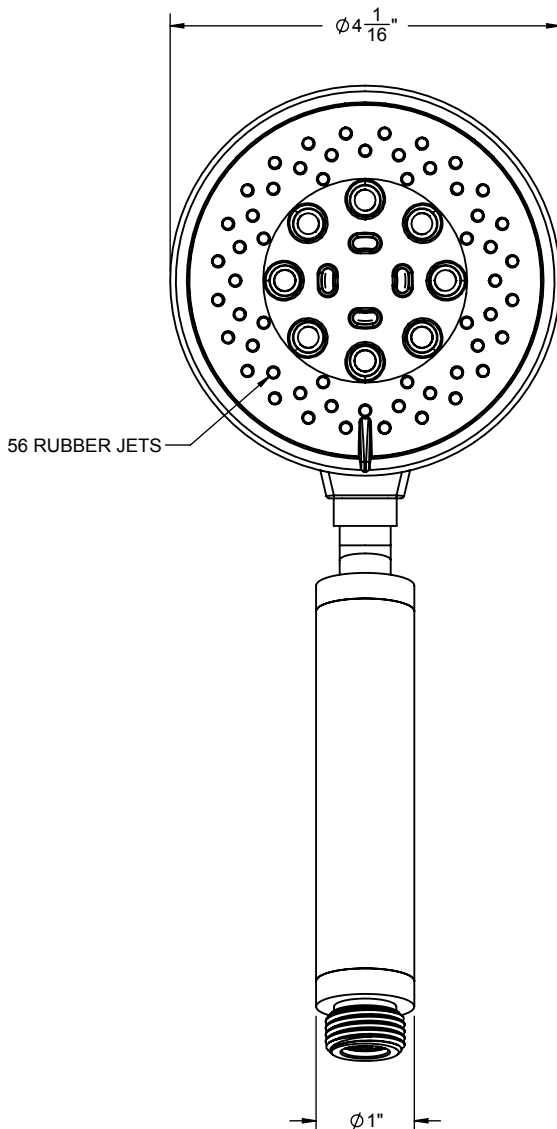
HS-083.25
 HS-083.20
 HS-083.18



Codes/Standards Applicable

Product meets or exceeds the following:

- ASME A112.18.1/CSA B125.1
- CEC (1.8 gpm)
- DOE (1.8, 2.0 & 2.5 gpm)
- Commonwealth of MA
- EPA WaterSense (2.0 gpm)

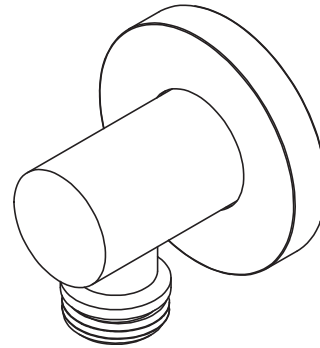




Features

- Over 30 finishes including 14 PVD finishes
- Solid brass construction
- 1/2" NPT (female) inlet connection
- 1/2" NPSM (male) outlet connection

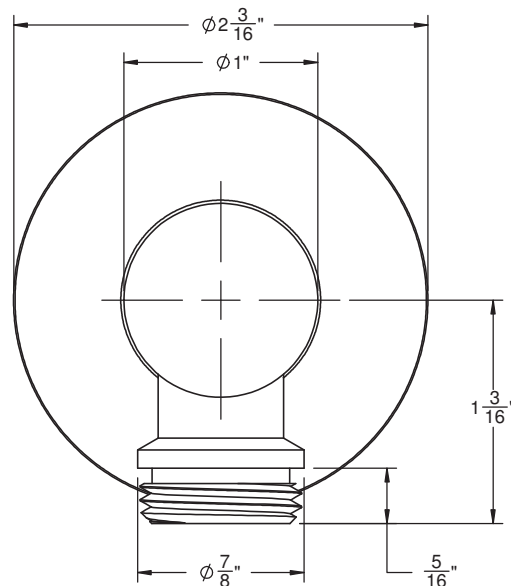
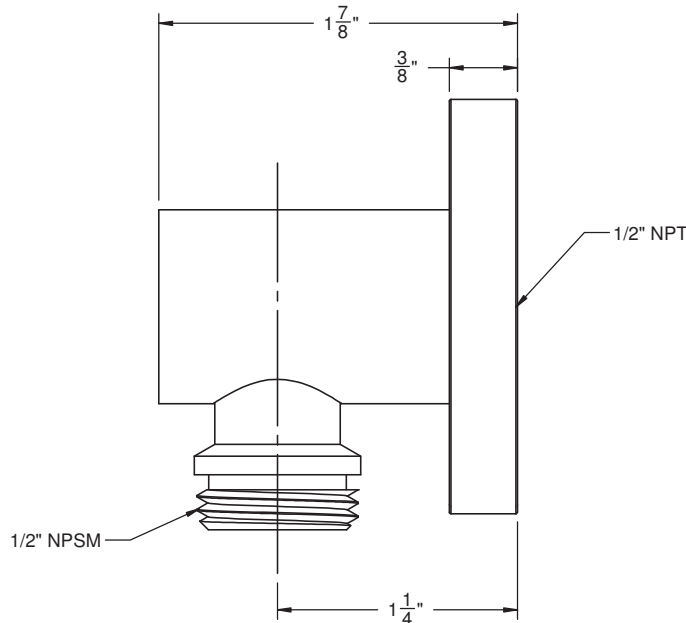
SH-10-65



Codes/Standards Applicable

Meets or exceeds the following at date of manufacture:

- ASME A112.18.1/CSA B125.1



ALL DIMENSIONS SHOWN TO NEAREST 1/16"



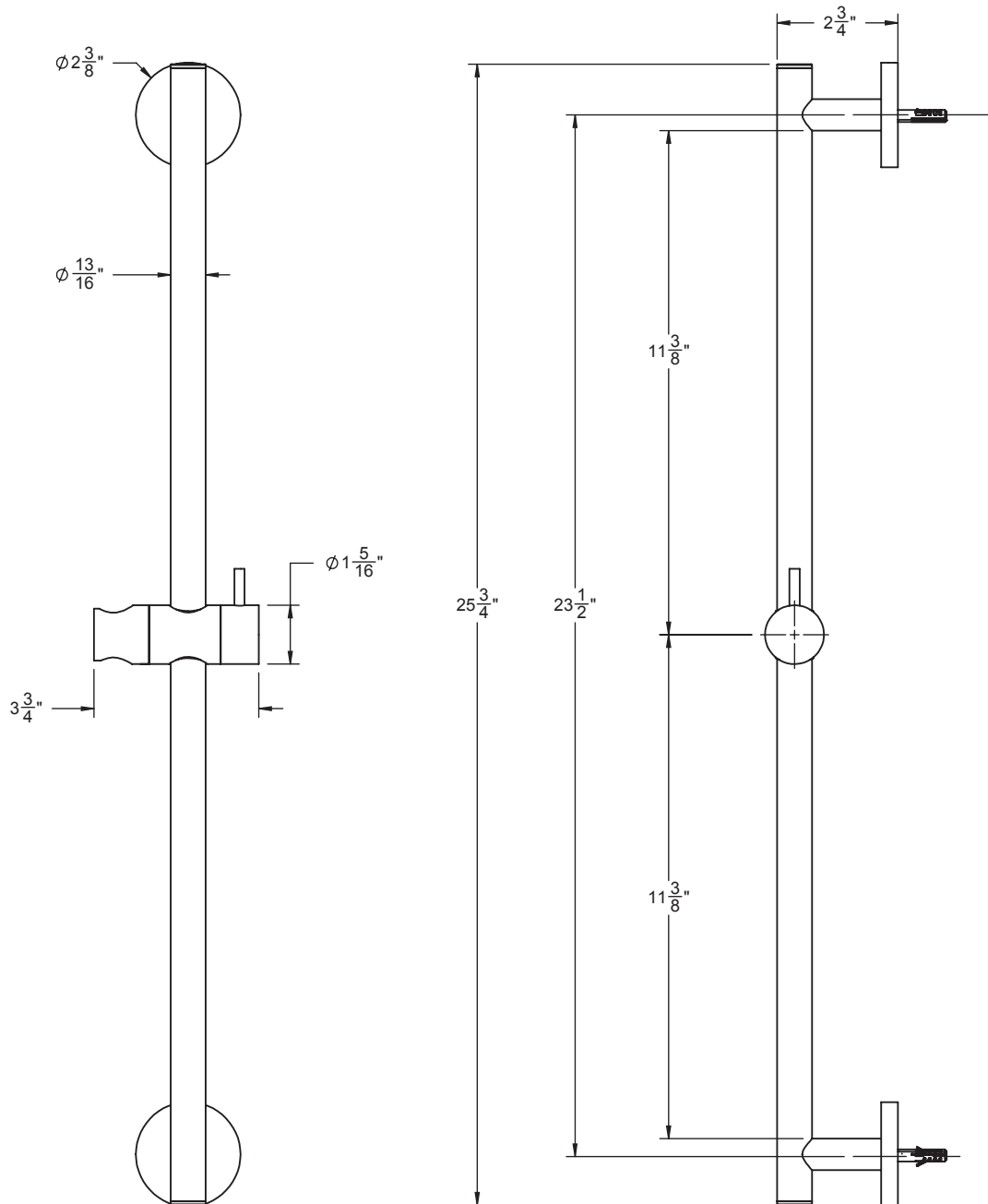
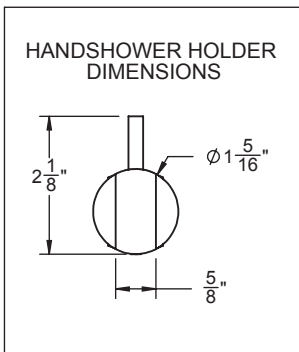
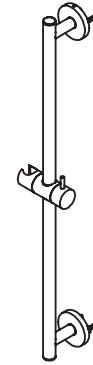
Features

- Over 30 finishes including 14 PVD finishes
- Solid brass construction
- Handshower holder slides up and down
- Handshower holder most conical end of hose (rotates allowing for varies spray direction)
- Right or left handed based on installation
- Includes all mounting hardware
- For additional product offerings, see www.californiafaucets.com

Codes/Standards Applicable

- Meets or exceeds the following at date of manufacture:
- ASME A112.18.1/CSA B125.1

SB-62



ALL DIMENSIONS SHOWN TO NEAREST 1/16"



Features

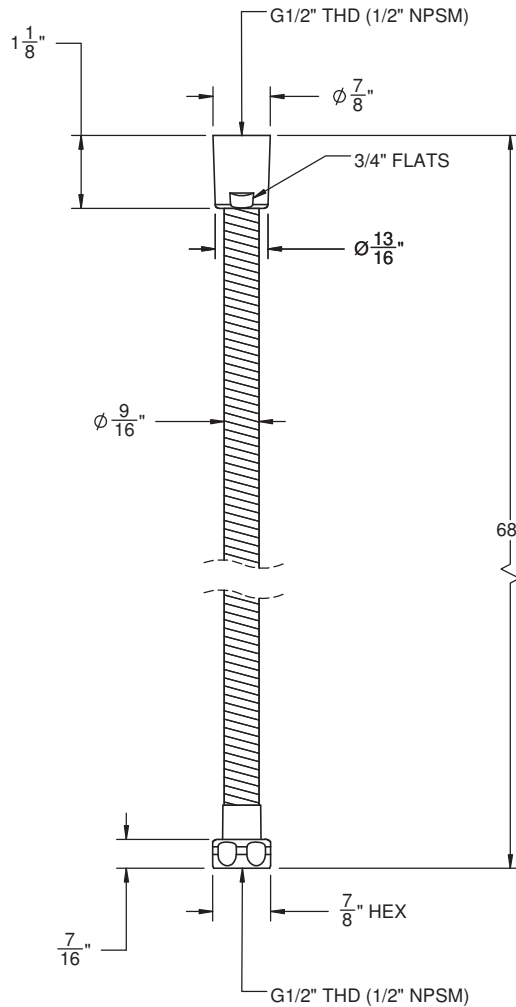
- 1/2" FIP inlet
- 1/2" FIP outlet
- Double spiral out hose for added strength
- Solid brass construction
- Over 30 finishes include 16 PVD finishes

Codes/Standards Applicable

Meets or exceeds the following at date of manufacture:

- ASME A112.18.1/CSA B125.1

HS-68



ALL DIMENSIONS SHOWN TO NEAREST 1/16"