



California Faucets®

Miramar™

STYLETHERM TRIM ONLY W/ DOUBLE VOLUME CONTROL

Features

- 100° F safety stop button with manual override
- 7-1/4" diameter round faceplate
- Engraved brass temperature ring
- Dual integral volume controls
- All brass construction
- Over 30 finishes including 15 PVD finishes

**TO-TH2L-48
TO-TH2L-48X**

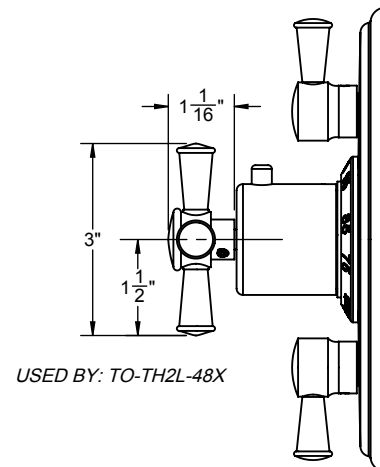
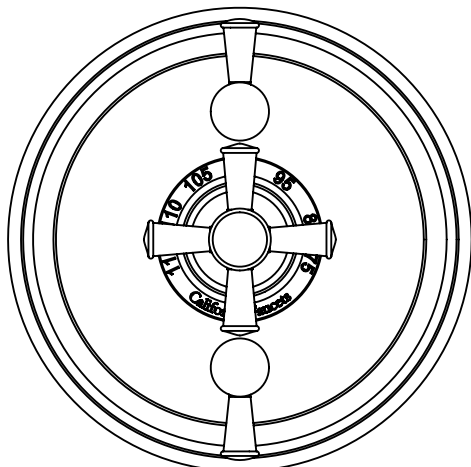
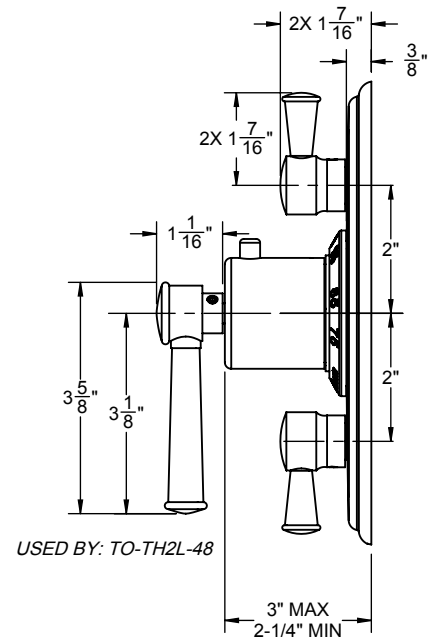
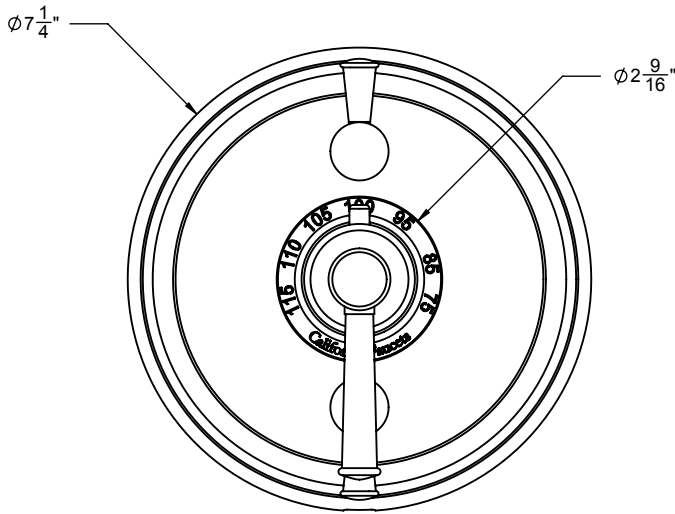


TO-TH2L-48 SHOWN

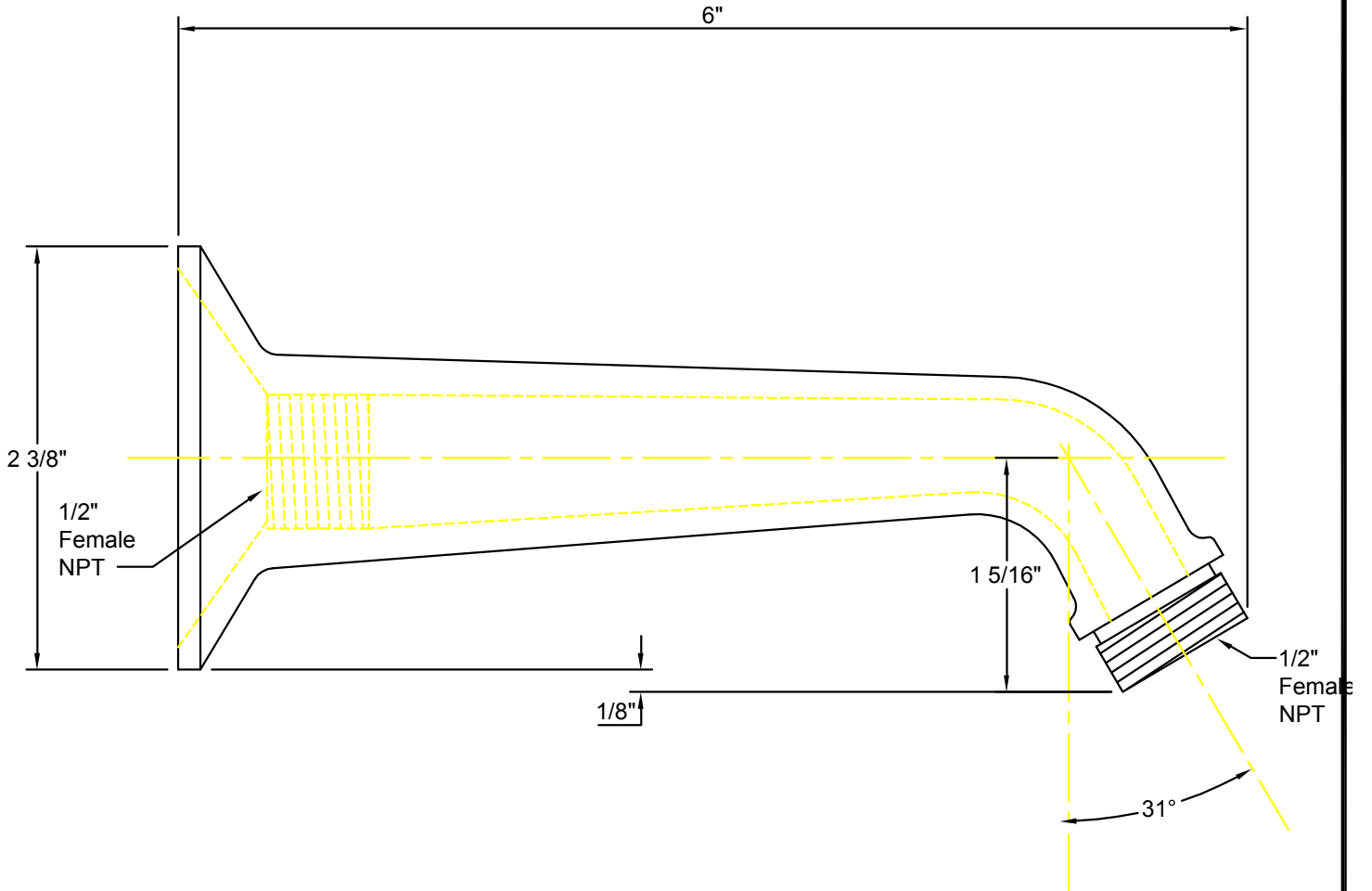
Codes/Standards Applicable

Product meets or exceeds the following:

- ASME A112.18.1/CSA B125.1
- ASSE 1016
- ADA compliant (with lever handles)



IMPORTANT:
All dimensions are + or -




California Faucets®
info@calfaucets.com
www.calfaucets.com

FIXTURE:
One Piece 6" Shower Arm

MODEL #: SH-01.6

DWG NO: .

REV:

REVISIONS	REV DATE	STARTING DATE:
		APPRVD DATE:
		APPRVD BY:
		SCALE: None
		DRAWN BY: William Linares william@calfaucets.com



California Faucets®

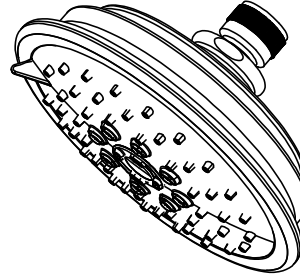
SHOWERHEAD

5-5/8" MULTI-FUNCTION TRADITIONAL

Features

- 1/2" FIP inlet
- 3 function: rain, air & massage
- Self-cleaning rubber jets
- Solid brass pivot ball & body
- 5-5/8" diameter, gray face
- Over 30 finishes including 15 PVD finishes
- Replace .FR with desired max flow rate:
SH-073.25 for 2.5 gpm
SH-073.20 for 2.0 gpm
SH-073.18 for 1.8 gpm

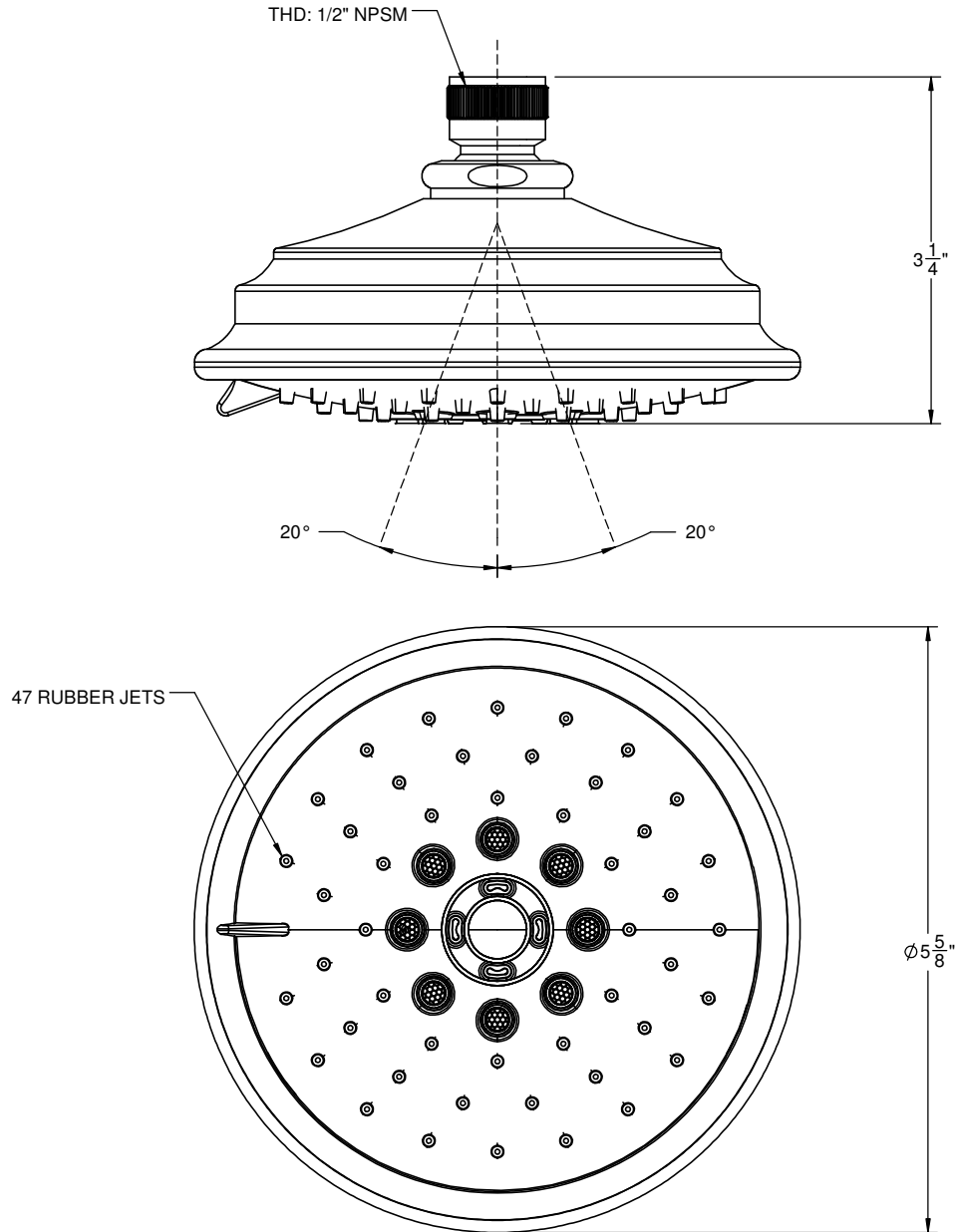
SH-073.25
SH-073.20
SH-073.18



Codes/Standards

Product meets or exceeds the following:

- ASME A112.18.1/CSA B125.1
- CEC (1.8 gpm)
- DOE (2.5, 2.0, & 1.8 gpm)
- Commonwealth of MA
- EPA WaterSense Showerhead (2.0 gpm)

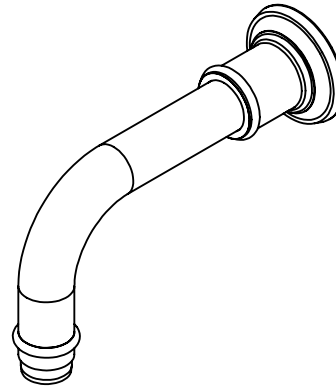




TS-48

Features

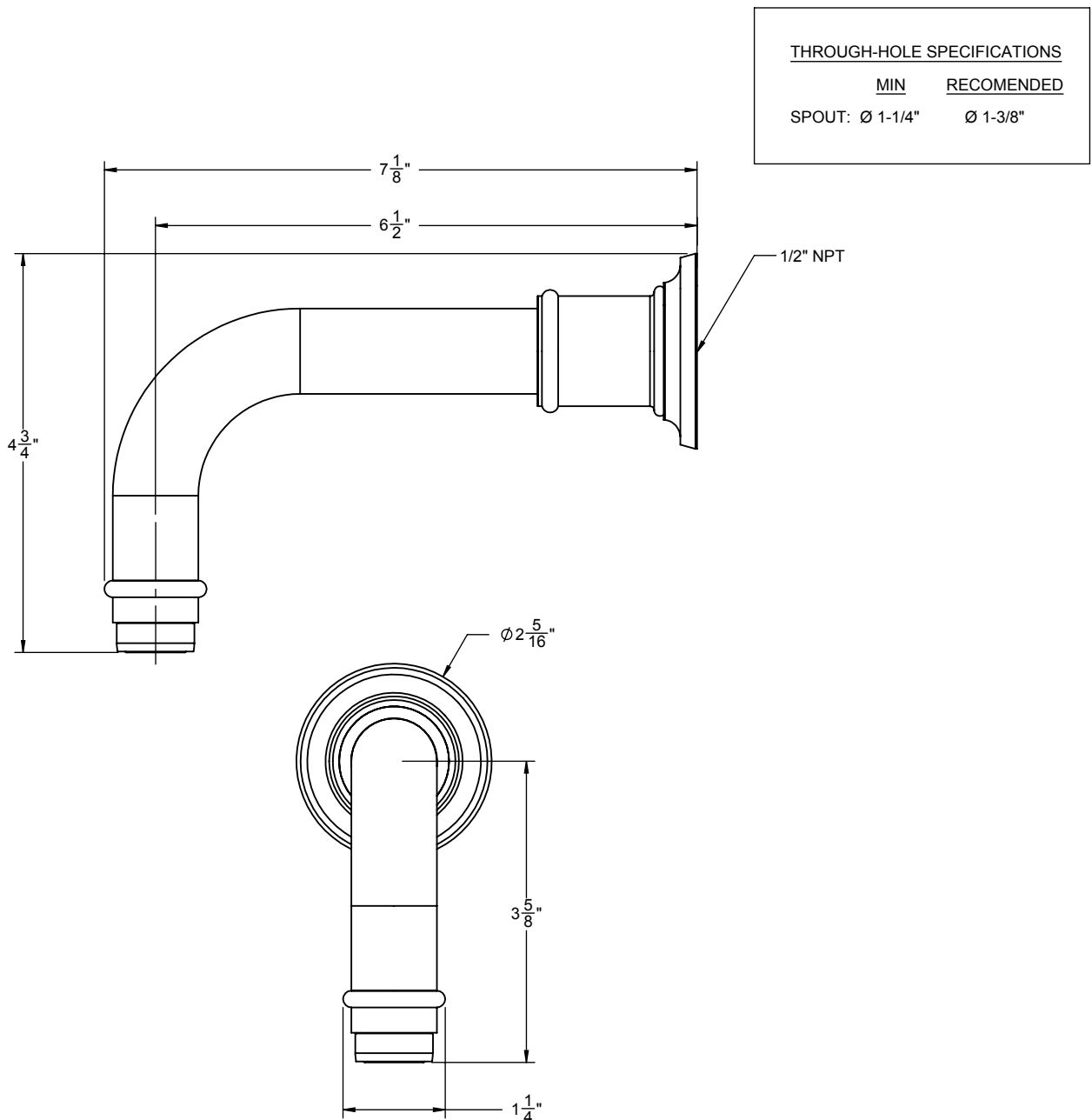
- Over 30 finishes including 14 PVD finishes
- Solid brass construction
- Includes decorative base ring
- Maximum flow rate: 10 gpm (37.9 L/m)
- For use with StyleTherm, 3-VR or 3-VR valves
- For additional product offerings, see californiafaucets.com



Codes/Standards Applicable

Meets or exceeds the following at date of manufacture:

- ASME A112.18.1/CSA B125.1
- NSF 61 and CA / VT lead plumbing law



ALL DIMENSIONS SHOWN TO NEAREST 1/16"



California Faucets®

Handshower

4-1/8" BRASS MULTI-FUNCTION HANDSHOWER

Features

- 1/2" MIP inlet
- 3 function handshower: rain, air, & massage
- Self-cleaning rubber jets
- All brass body
- 4-1/8" diameter, gray face
- Replace .FR with desired max flow rate:
 - HS-073.25 for 2.5 gpm
 - HS-073.20 for 2.0 gpm
 - HS-073.18 for 1.8 gpm
- Over 28 finishes including 13 PVD finishes

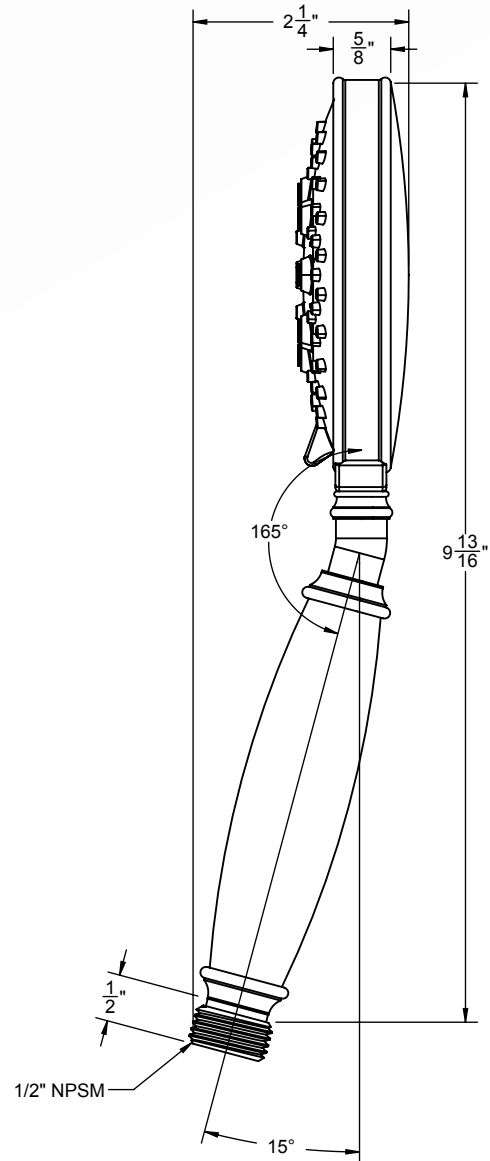
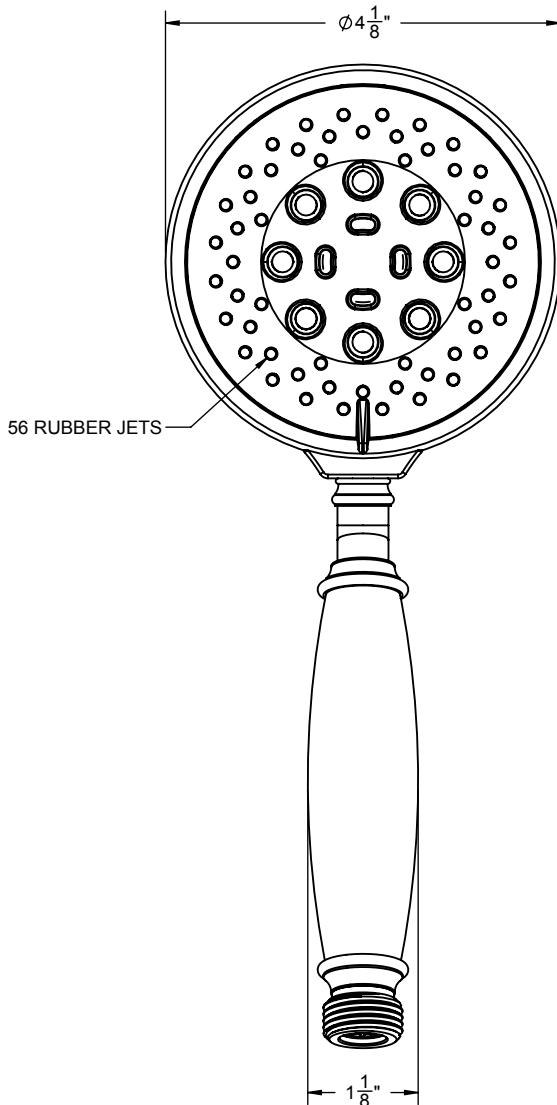
HS-073.25
 HS-073.20
 HS-073.18



Codes/Standards Applicable

Product meets or exceeds the following:

- ASME A112.18.1/CSA B125.1
- CEC (1.8 gpm)
- DOE (1.8, 2.0 & 2.5 gpm)
- Commonwealth of MA
- EPA WaterSense (2.0 gpm)

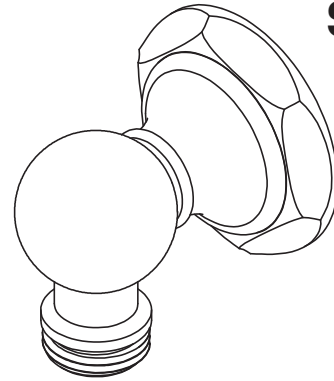




Features

- Over 30 finishes including 14 PVD finishes
- Solid brass construction
- 1/2" NPT (female) inlet connection
- 1/2" NPSM (male) outlet connection

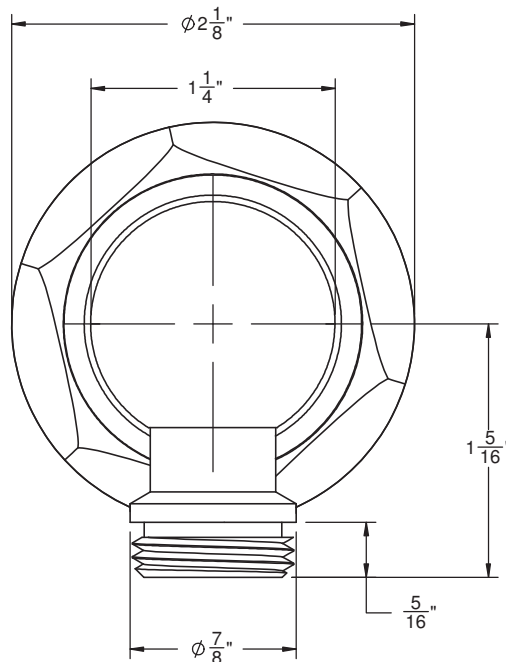
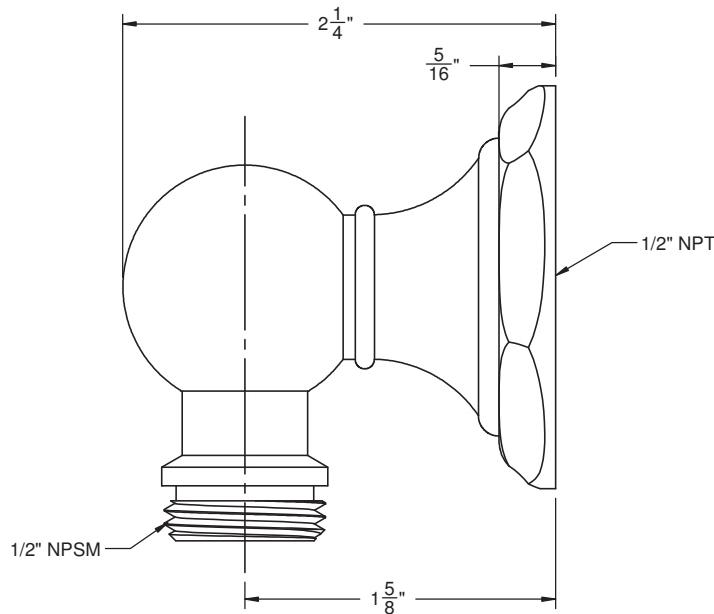
SH-10-47



Codes/Standards Applicable

Meets or exceeds the following at date of manufacture:

- ASME A112.18.1/CSA B125.1



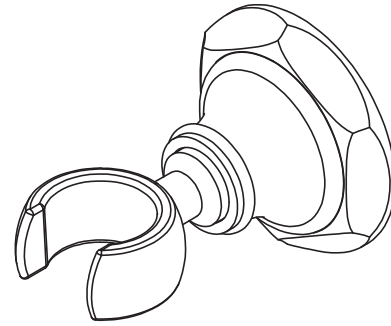
ALL DIMENSIONS SHOWN TO NEAREST 1/16"



Features

- Over 30 finishes including 14 PVD finishes
- Solid brass construction
- All mounting hardware included
- Accepts most conical handshower hoses

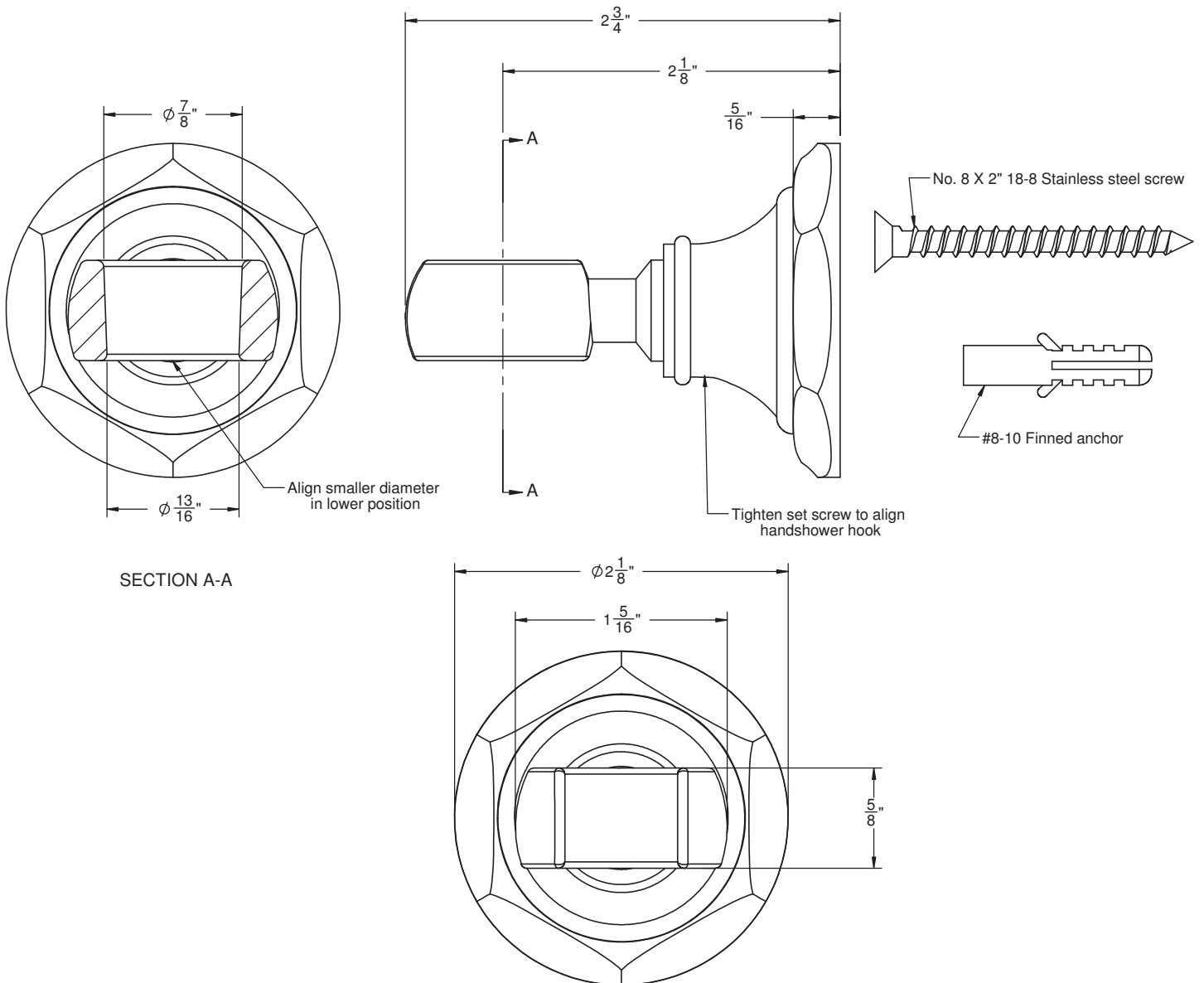
SH-20-47



Codes/Standards Applicable

Meets or exceeds the following at date of manufacture:

- ASME A112.18.1/CSA B125.1





Features

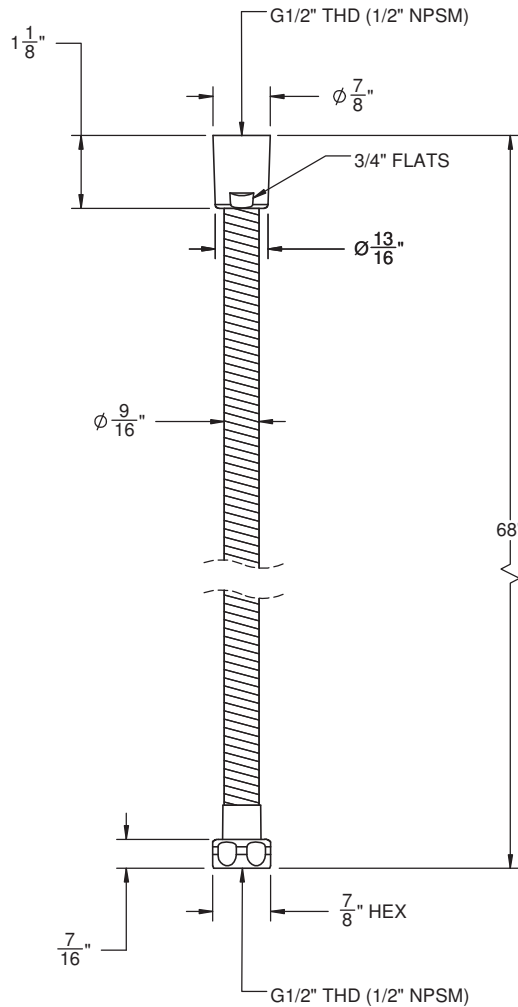
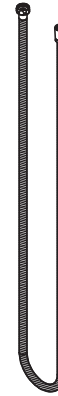
- 1/2" FIP inlet
- 1/2" FIP outlet
- Double spiral out hose for added strength
- Solid brass construction
- Over 30 finishes include 16 PVD finishes

Codes/Standards Applicable

Meets or exceeds the following at date of manufacture:

- ASME A112.18.1/CSA B125.1

HS-68



ALL DIMENSIONS SHOWN TO NEAREST 1/16"