



California Faucets®

# Morro Bay™

## STYLETHERM TRIM ONLY W/ DUAL VOLUME CONTROL

### Features

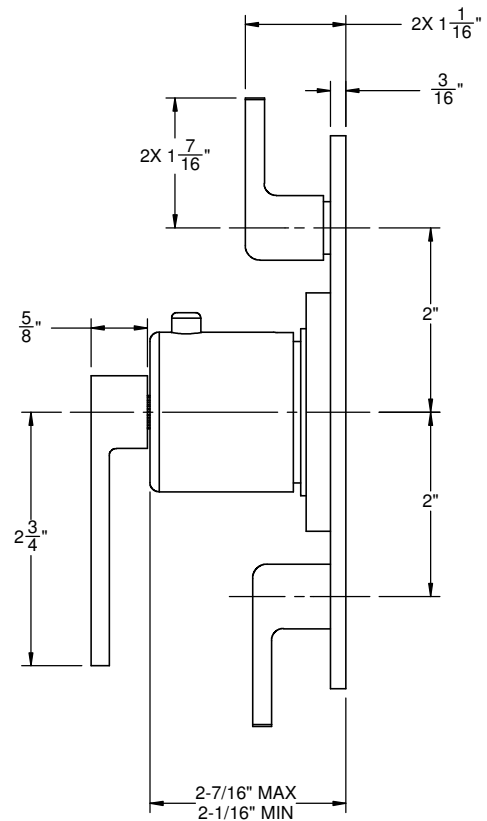
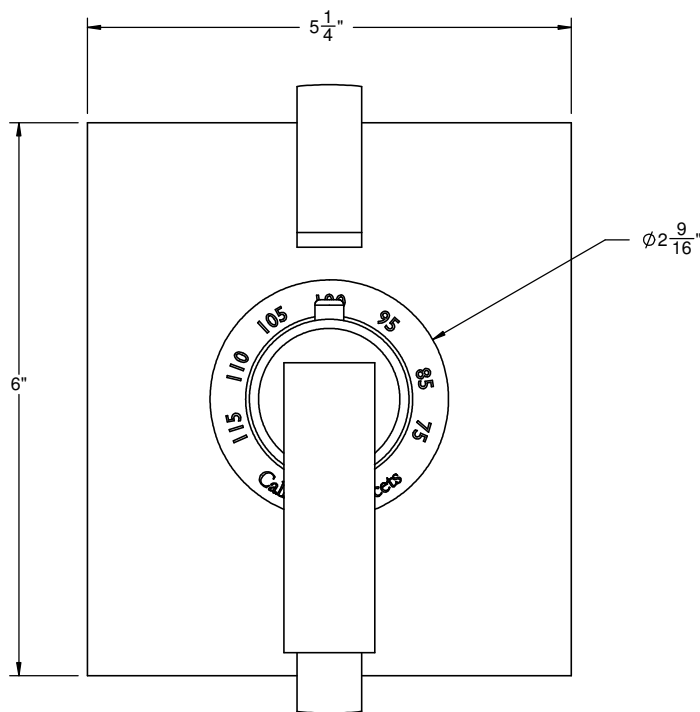
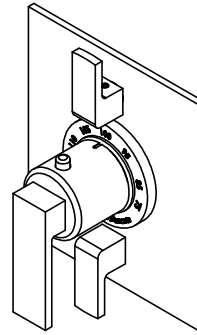
- All brass construction
- 100° F safety stop button with manual override
- Dual integral volume control
- 6" by 5-1/4" rectangular faceplate; flat profile
- Less head, arm, flange and spout
- Engraved brass temperature ring
- Over 30 finishes including 15 PVD finishes

### Codes/Standards Applicable

Product meets or exceeds the following:

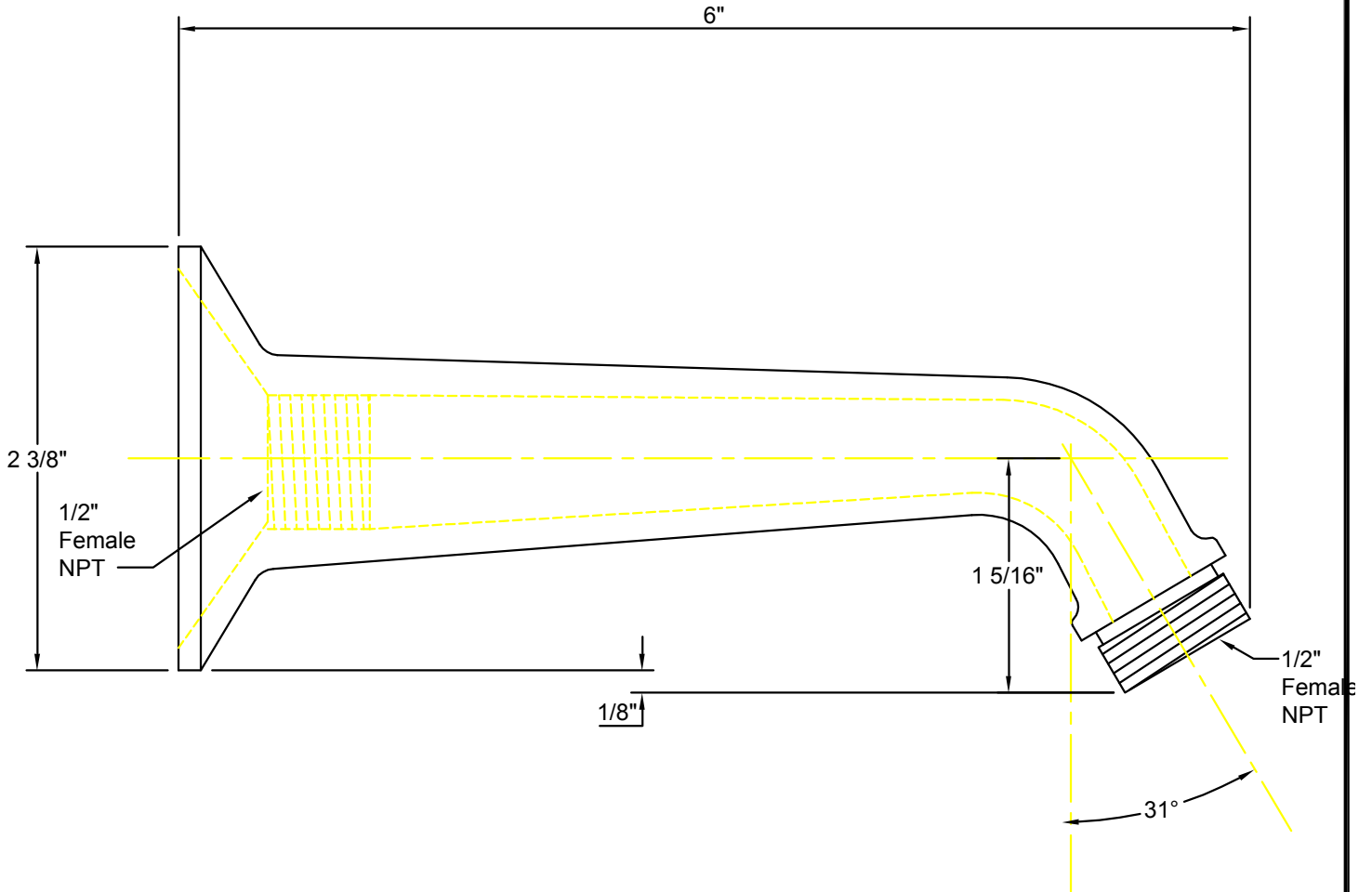
- ASME A112.18.1/CSA B125.1
- ASSE 1016
- ADA compliant

### TO-THF2L-77



ALL DIMENSIONS SHOWN TO NEAREST 1/16"

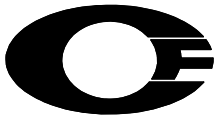
**IMPORTANT:**  
All dimensions are + or -



  
**California Faucets®**  
info@calfaucets.com  
www.calfaucets.com

|   |             |
|---|-------------|
| <b>FIXTURE:</b><br><b>One Piece 6" Shower Arm</b> |             |
| <b>MODEL #:</b> SH-01.6                           |             |
| <b>DWG NO:</b>                                    | <b>REV:</b> |

|                  |                 |  |
|------------------|-----------------|--|
| <b>REVISIONS</b> | <b>REV DATE</b> | <b>STARTING DATE:</b>                                      |
|                  |                 | <b>APPRVD DATE:</b>  |
|                  |                 | <b>APPRVD BY:</b>  |
|                  |                 | <b>SCALE:</b> None   |
|                  |                 | <b>DRAWN BY:</b> William Linares<br>william@calfaucets.com |



California Faucets®

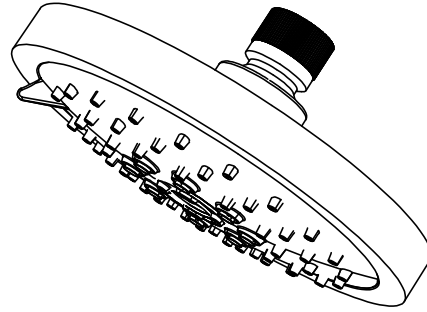
# SHOWERHEAD

5-5/8" MULTI-FUNCTION CONTEMPORARY

## Features

- 1/2" FIP inlet
- 3 function: rain, air & massage
- Self-cleaning rubber jets
- Solid brass pivot ball & body
- 5-5/8" diameter, gray face
- Over 30 finishes including 15 PVD finishes
- Replace .FR with desired max flow rate:
  - SH-083.25 for 2.5 gpm
  - SH-083.20 for 2.0 gpm
  - SH-083.18 for 1.8 gpm

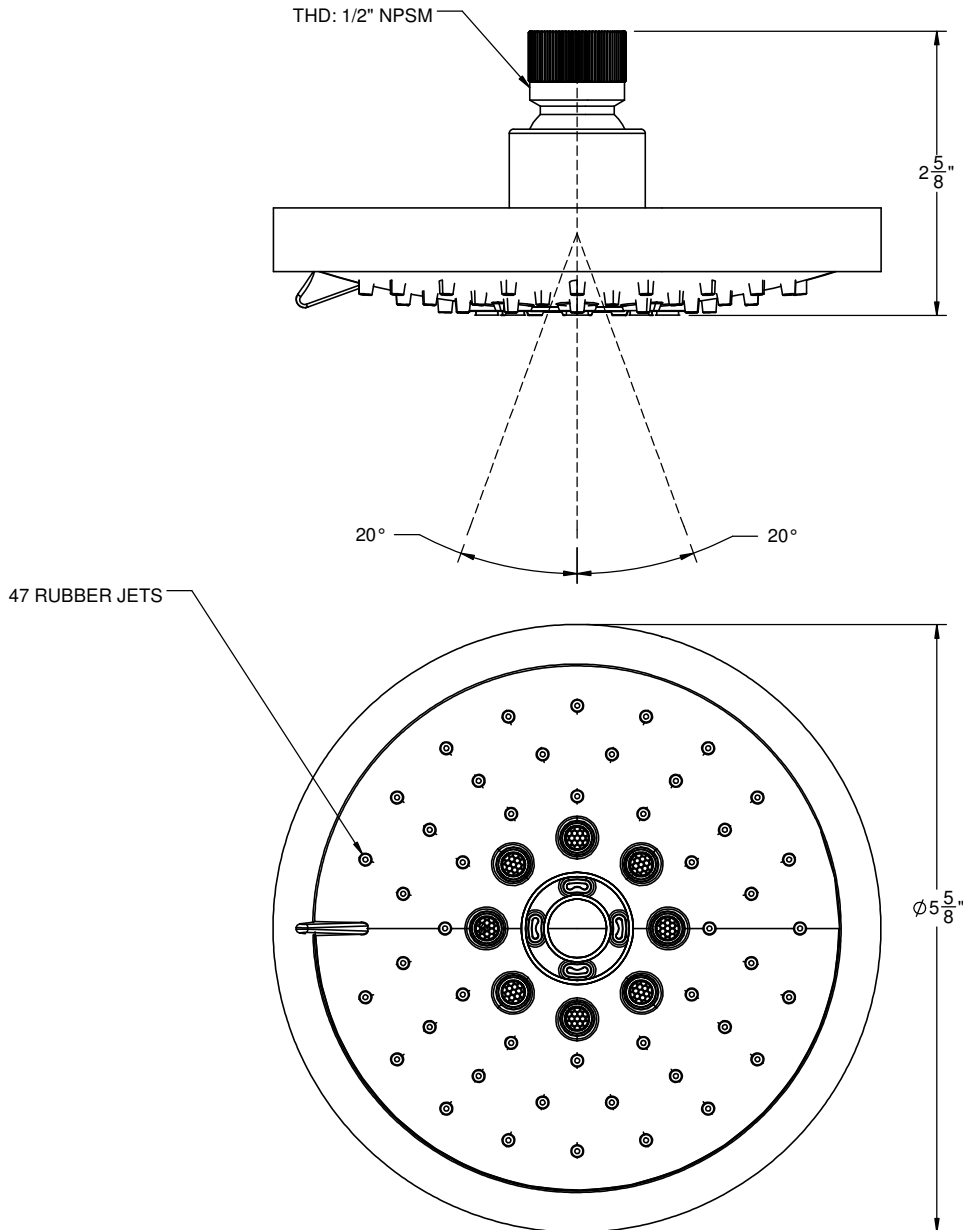
SH-083.25  
SH-083.20  
SH-083.18



## Codes/Standards

Product meets or exceeds the following:

- ASME A112.18.1/CSA B125.1
- CEC (1.8 gpm)
- DOE (2.5, 2.0, & 1.8 gpm)
- Commonwealth of MA
- EPA WaterSense Showerhead (2.0 gpm)





California Faucets®

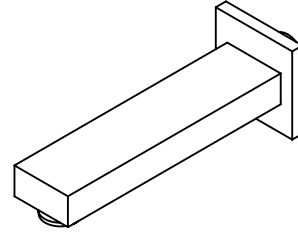
# Morro Bay™

## WALL TUB SPOUT

### TS-77-77

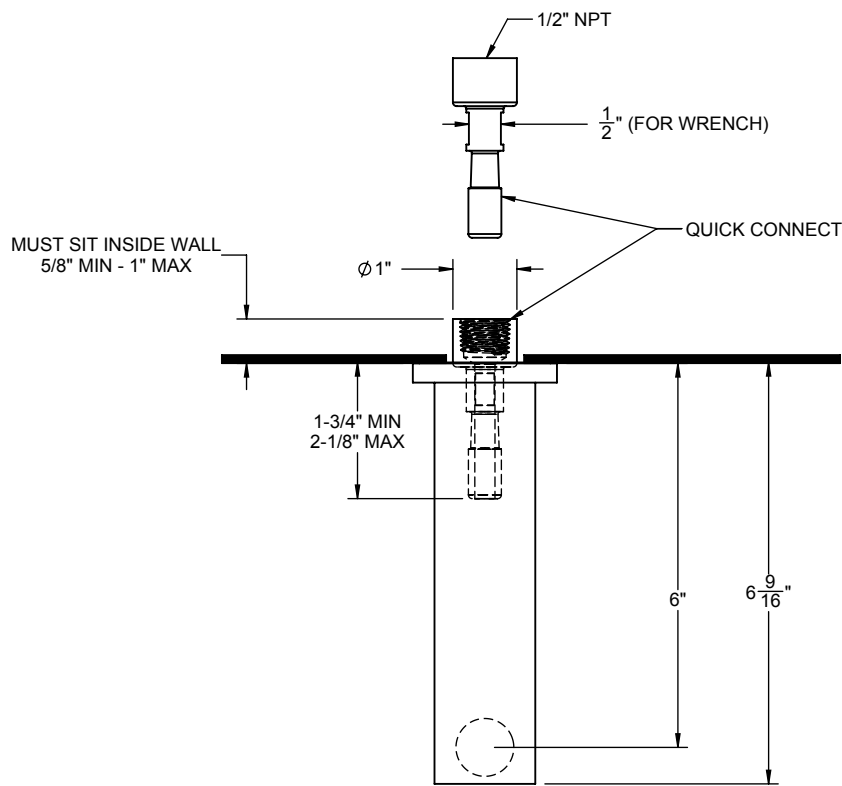
#### Features

- 6" wall to center
- Max flow rate: 10gpm (37.8 L/min)
- Quick connect
- For use with StyleTherm, 3-VR or 2-VR valves
- All brass construction
- Over 30 finishes including 15 PVD finishes

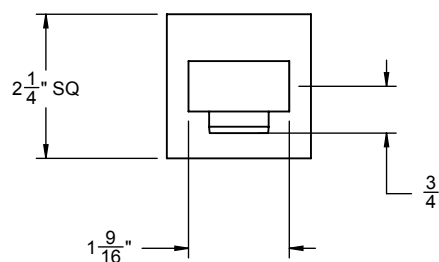


#### Codes/Standards Applicable

- Product meets or exceeds the following:
- ASME A112.18.1/CSA B125.1



| THROUGH-HOLE SPECIFICATIONS |            |           |
|-----------------------------|------------|-----------|
| MIN                         | RECOMENDED | MAX       |
| Ø 1"                        | Ø 1-3/8"   | Ø 1-9/16" |



SPECIFICATIONS SUBJECT TO CHANGE WITHOUT NOTICE

ALL DIMENSIONS SHOWN TO NEAREST 1/16"



California Faucets®

# Handshower

CONTEMPORARY

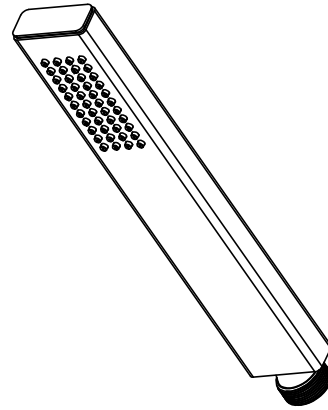
## Features

- 1/2" MIP inlet
- Brass construction
- Self-cleaning rubber jets
- Replace .FR with desired max flow rate:  
HS-72.25 for 2.5 gpm  
HS-72.18 for 1.8 gpm

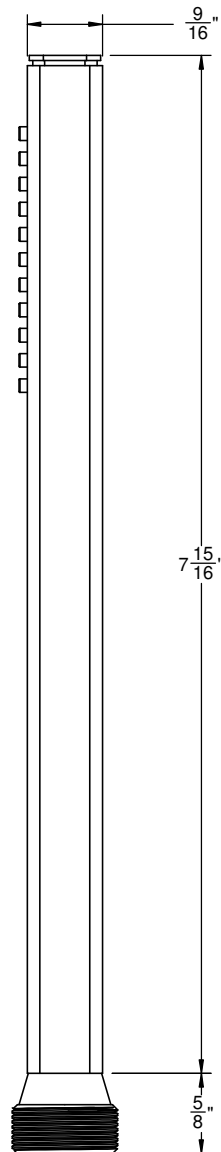
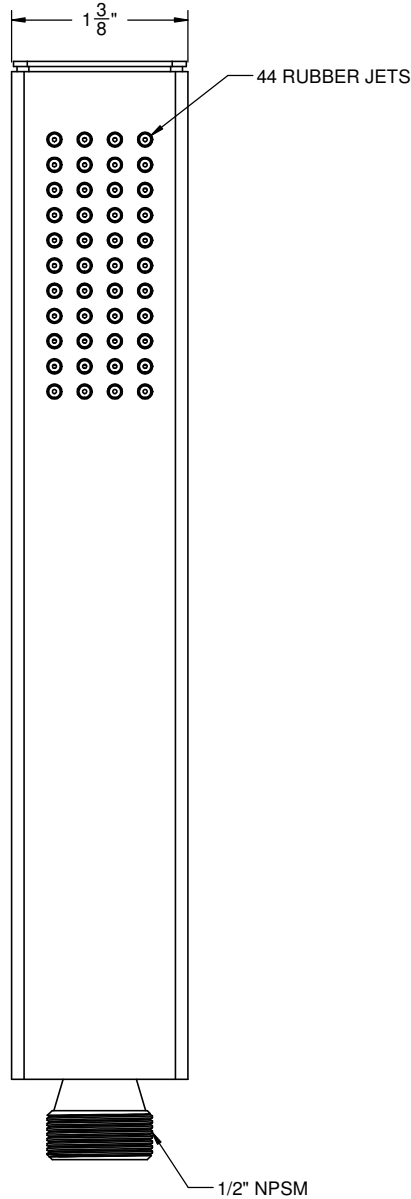
## Codes/Standards

Product meets or exceeds the following:

- ASME A112.18.1/CSA B125.1
- CEC (1.8 gpm)
- DOE (2.5 & 1.8 gpm)
- Commonwealth of MA



HS-72.25  
HS-72.18

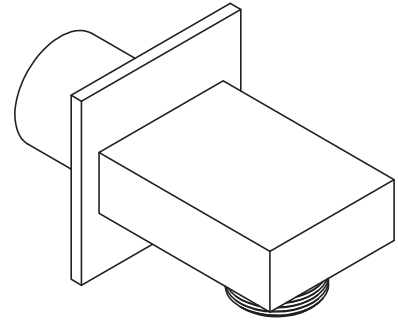




### Features

- Over 30 finishes including 14 PVD finishes
- Solid brass constructions
- 1/2" NPT (female) inlet connection
- 1/2" NPSM (male) outlet connection
- Quick connect attachment

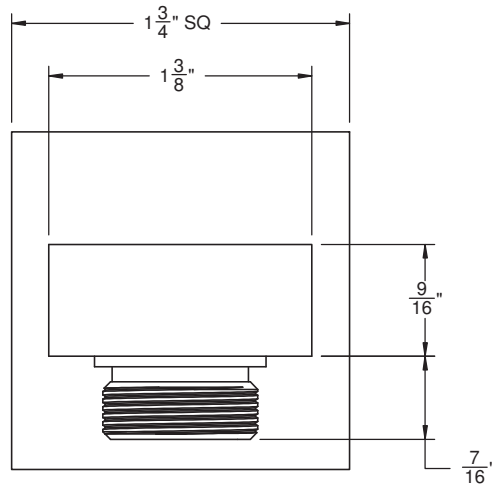
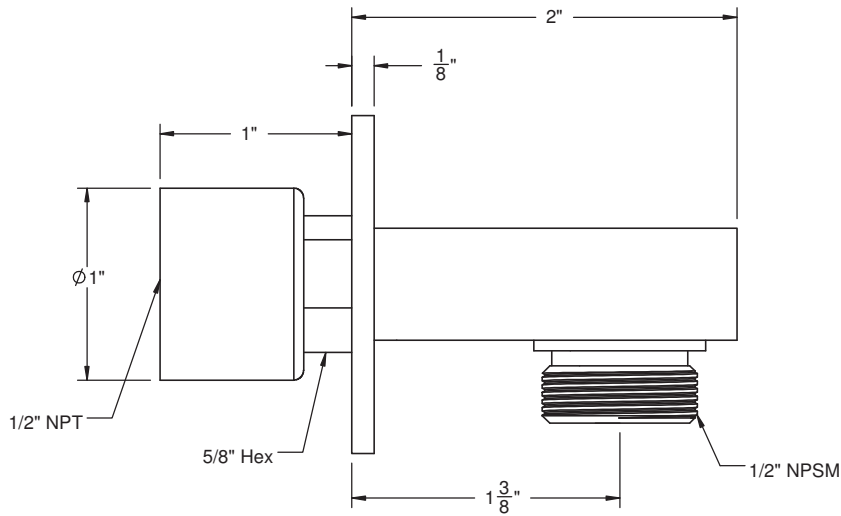
### SH-10-72



### Codes/Standards Applicable

Meets or exceeds the following at date of manufacture:

- ASME A112.18.1/CSA B125.1



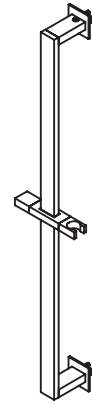
ALL DIMENSIONS SHOWN TO NEAREST 1/16"



### Features

- Over 30 finishes including 14 PVD finishes
- Solid brass construction
- Handshower holder slides up and down on bar
- Handshower holder accepts most conical end of hoses (rotates allowing for various spray direction)
- Right or left handed based on installation
- Includes all mounting hardware
- For additional product offerings, see [www.californiafaucets.com](http://www.californiafaucets.com)

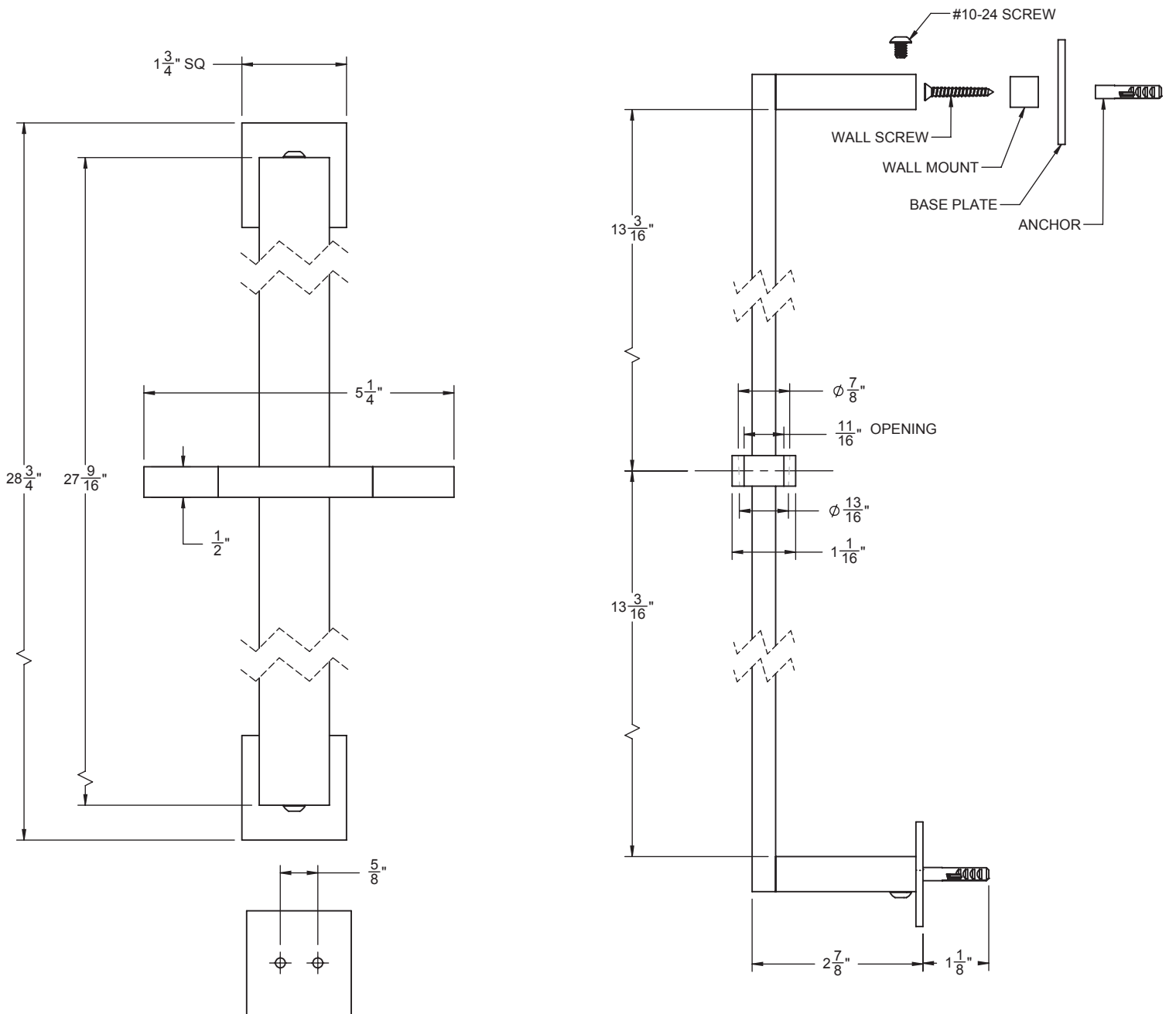
### SB-72



### Codes/Standards Applicable

Meets or exceeds the following at date of manufacture:

- ASME A112.18.1/CSA B125.1



ALL DIMENSIONS SHOWN TO NEAREST 1/16"



California Faucets®

# Handshower

HANDSHOWER HOSE

## Features

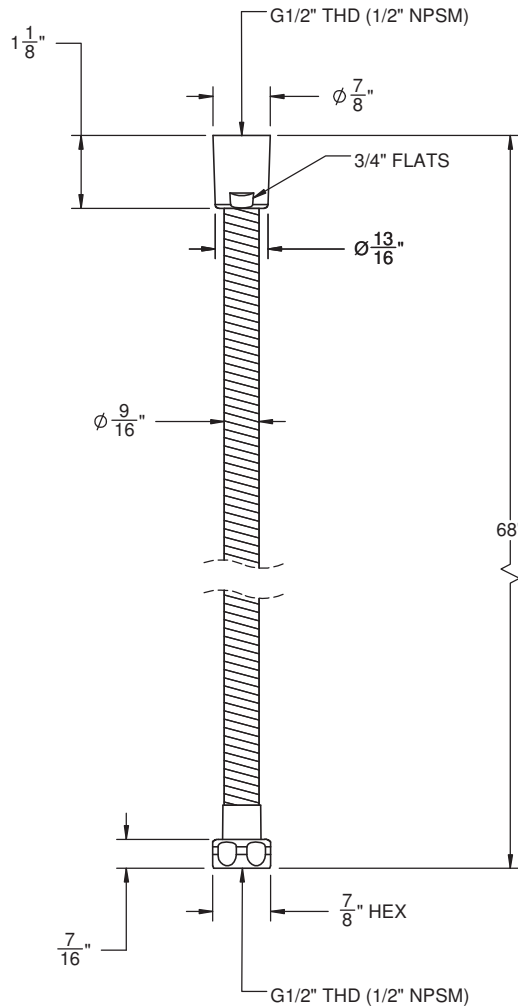
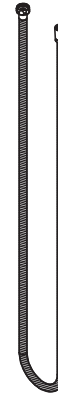
- 1/2" FIP inlet
- 1/2" FIP outlet
- Double spiral out hose for added strength
- Solid brass construction
- Over 30 finishes include 16 PVD finishes

## Codes/Standards Applicable

Meets or exceeds the following at date of manufacture:

- ASME A112.18.1/CSA B125.1

HS-68



ALL DIMENSIONS SHOWN TO NEAREST 1/16"