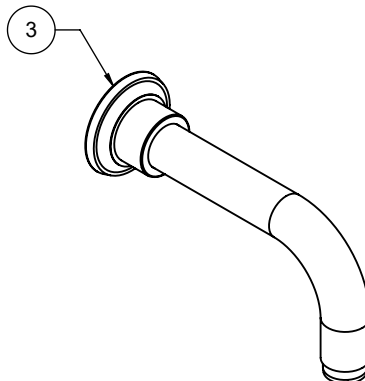
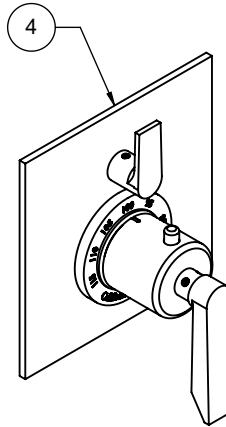
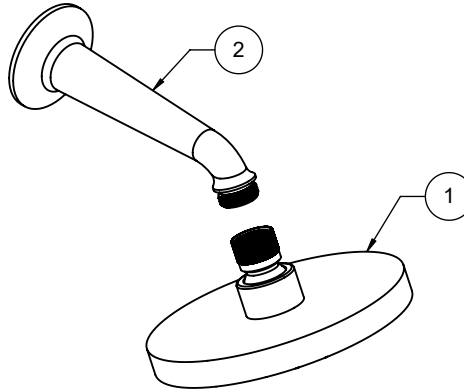




"ZZ" denotes finish, "FR" denotes flow rate

Item	Model	Description	Links
1	SH-083.FR-ZZ	5-5/8" Multi-Function Showerhead	Specification Sheet
2	SH-01.6-ZZ	One Piece 6" Shower Arm & Flange	Specification Sheet
3	TS-45-ZZ	Wall Tub Spout	Specification Sheet
4	TO-THF1L-45-ZZ	StyleTherm® Trim Only with Single Volume Control	Specification Sheet





California Faucets®

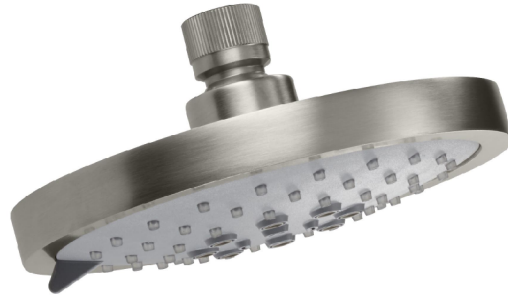
SHOWERHEAD

5-5/8" MULTI-FUNCTION CONTEMPORARY

Features

- 1/2" FIP inlet
- 3 function: rain, air & massage
- Self-cleaning rubber jets
- Solid brass pivot ball & body
- 5-5/8" diameter, gray face
- Available in 28 finishes including 13 PVD finishes
- Replace .FR with desired max flow rate:
SH-083.25 for 2.5 gpm
SH-083.20 for 2.0 gpm
SH-083.18 for 1.8 gpm

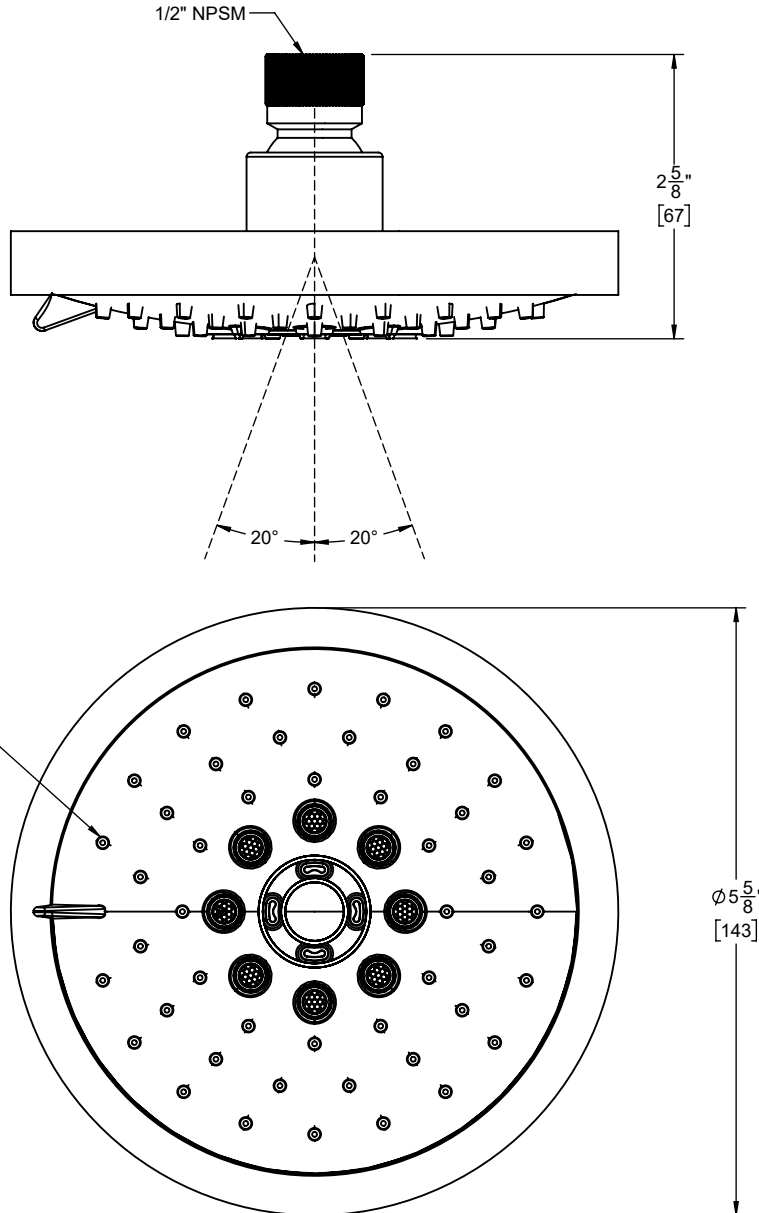
SH-083.25
SH-083.20
SH-083.18

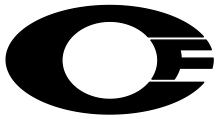


Codes/Standards

Product meets or exceeds the following:

- ASME A112.18.1/CSA B125.1
- CEC (1.8 gpm)
- DOE (2.5, 2.0, & 1.8 gpm)
- Commonwealth of MA
- EPA WaterSense Showerhead (2.0 gpm)





California Faucets®

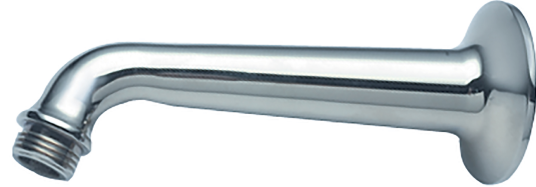
Shower Arm

One Piece 6" Shower Arm & Flange

SH-01.6

Features

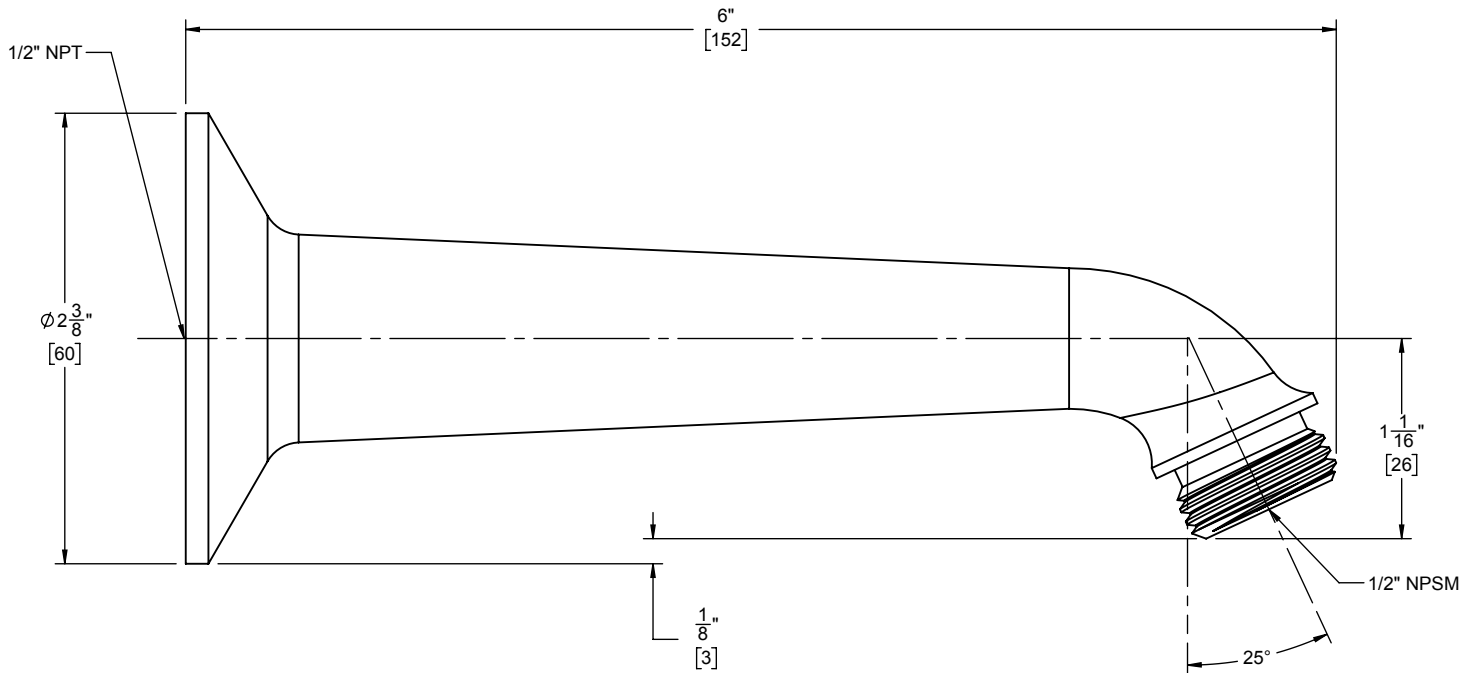
- Available in 28 finishes including 13 PVD finishes
- All brass construction

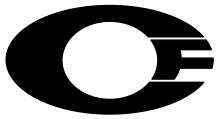


Codes/Standards

Product meets or exceeds the following:

- ASME A112.18.1/CSA B125.1





Features

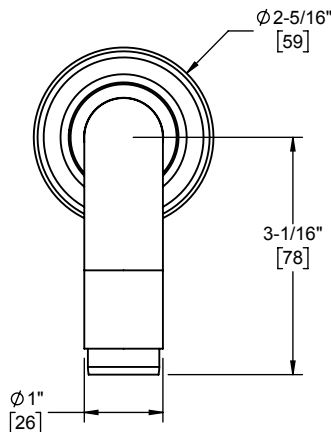
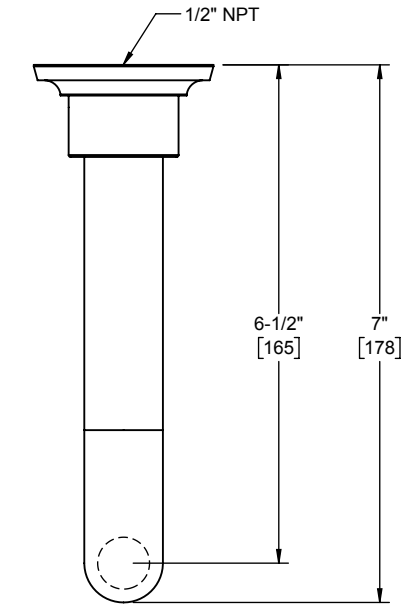
- Available in 28 finishes including 13 PVD finishes
- All brass construction
- Max flow rate: 16gpm (60.6 L/min)
- For use with StyleTherm, 3-VR or 2-VR valves



Codes/Standards

Product meets or exceeds the following:

- ASME A112.18.1/CSA B125.1



Through-Hole Specifications		
Min	Recommended	Max
Ø 1" [25]	Ø 1-1/4" [32]	Ø 1-9/16" [40]

Dimensions are inches, rounded to 1/16" [Dimensions in brackets are mm, rounded to 1mm]



California Faucets®

Rincon Bay™

STYLETHERM TRIM ONLY W/ SINGLE VOLUME CONTROL

Features

- 100° F safety stop button with manual override
- 5-1/4" square faceplate; flat profile
- Engraved brass temperature ring
- Single integral volume control
- All brass construction
- Over 30 finishes including 15 PVD finishes

Codes/Standards Applicable

Product meets or exceeds the following:

- ASME A112.18.1/CSA B125.1
- ASSE 1016
- ADA compliant (with lever handles)

TO-THF1L-45
TO-THF1L-45X



TO-THF1L-45 SHOWN

