



California Faucets®

# Rincon Bay™

## STYLETHERM TRIM ONLY W/ SINGLE VOLUME CONTROL

### Features

- 100° F safety stop button with manual override
- 5-1/4" square faceplate; flat profile
- Engraved brass temperature ring
- Single integral volume control
- All brass construction
- Over 30 finishes including 15 PVD finishes

### Codes/Standards Applicable

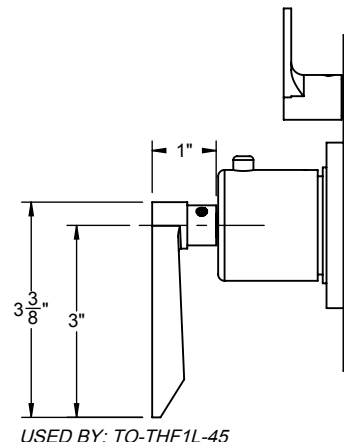
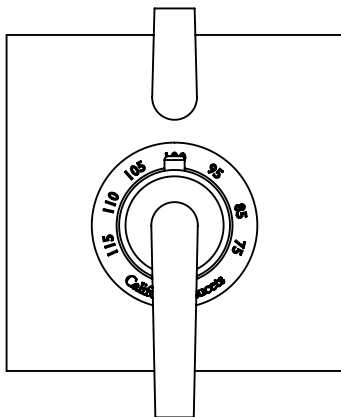
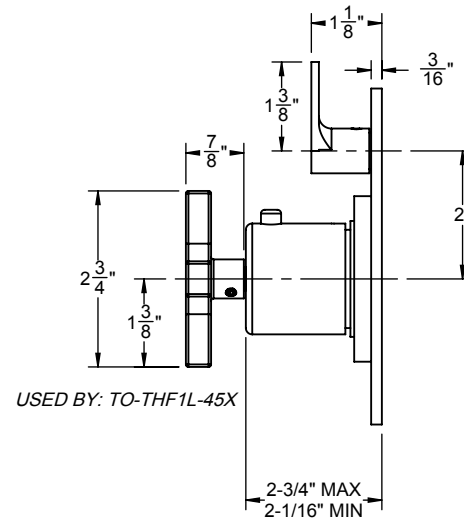
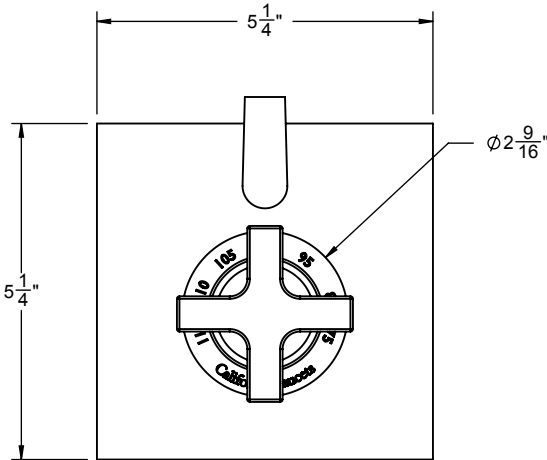
Product meets or exceeds the following:

- ASME A112.18.1/CSA B125.1
- ASSE 1016
- ADA compliant (with lever handles)

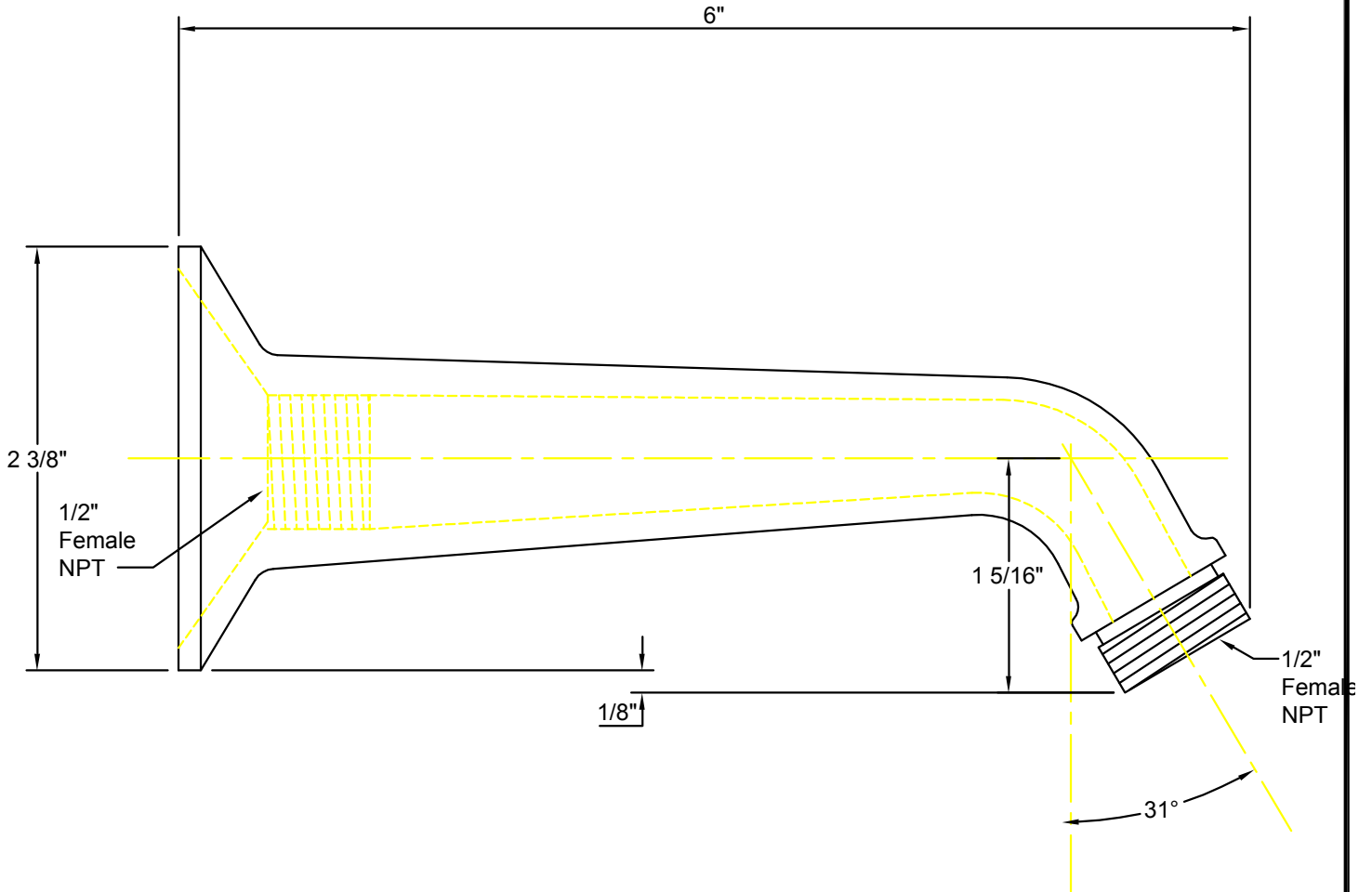
TO-THF1L-45  
TO-THF1L-45X



TO-THF1L-45 SHOWN



**IMPORTANT:**  
All dimensions are + or -



  
**California Faucets®**  
info@calfaucets.com  
www.calfaucets.com

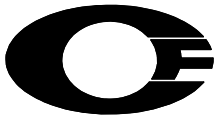
**FIXTURE:**  
**One Piece 6" Shower Arm**

**MODEL #:** SH-01.6

**DWG NO:** .

**REV:**

| REVISIONS | REV DATE | STARTING DATE:                                      |
|-----------|----------|---|
|           |          | APPRVD DATE:  |
|           |          | APPRVD BY:  |
|           |          | SCALE: None   |
|           |          | DRAWN BY: William Linares<br>william@calfaucets.com |



California Faucets®

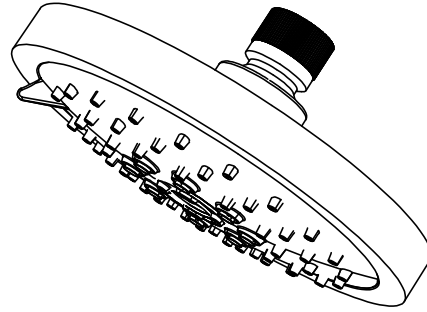
# SHOWERHEAD

5-5/8" MULTI-FUNCTION CONTEMPORARY

## Features

- 1/2" FIP inlet
- 3 function: rain, air & massage
- Self-cleaning rubber jets
- Solid brass pivot ball & body
- 5-5/8" diameter, gray face
- Over 30 finishes including 15 PVD finishes
- Replace .FR with desired max flow rate:
  - SH-083.25 for 2.5 gpm
  - SH-083.20 for 2.0 gpm
  - SH-083.18 for 1.8 gpm

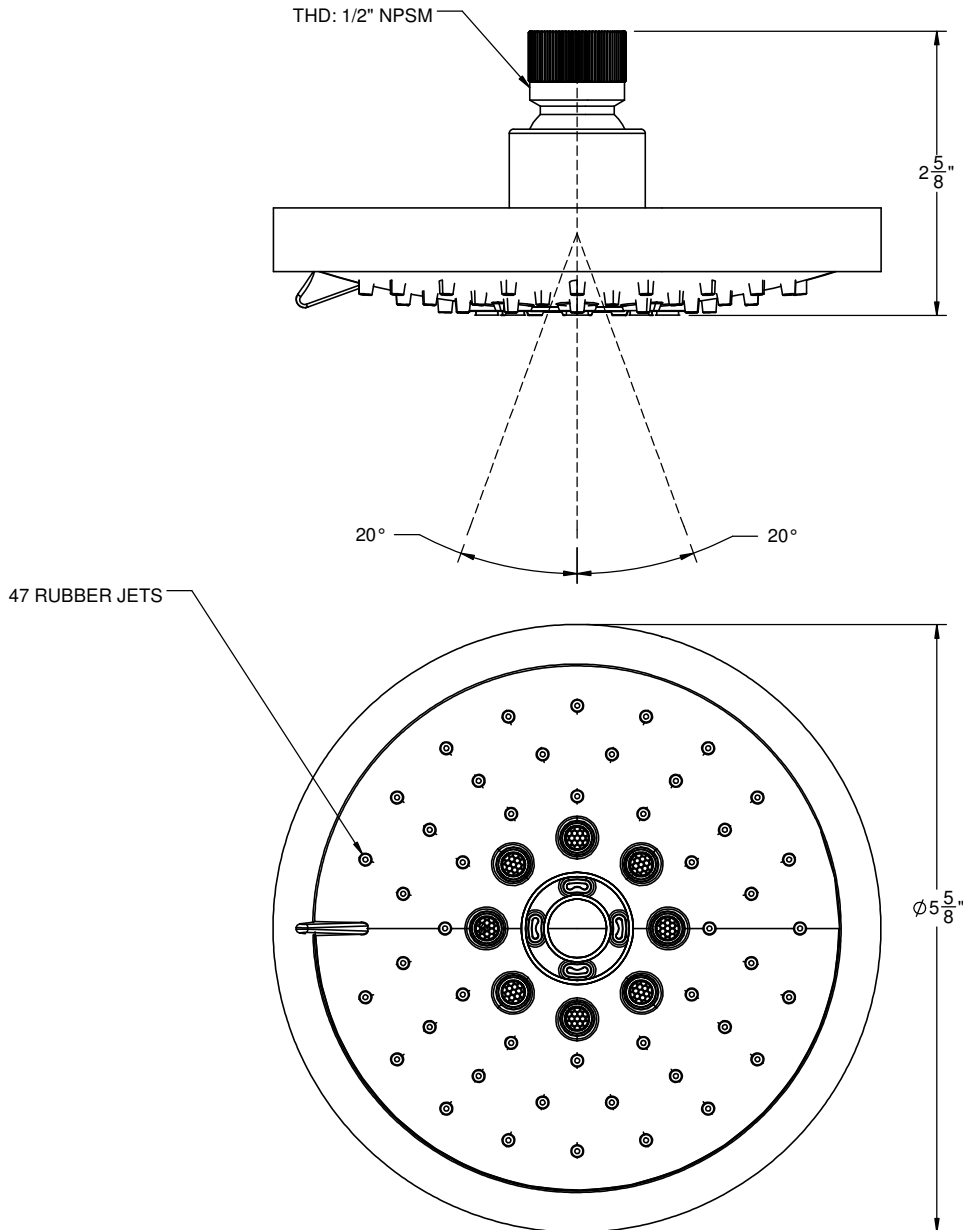
SH-083.25  
SH-083.20  
SH-083.18



## Codes/Standards

Product meets or exceeds the following:

- ASME A112.18.1/CSA B125.1
- CEC (1.8 gpm)
- DOE (2.5, 2.0, & 1.8 gpm)
- Commonwealth of MA
- EPA WaterSense Showerhead (2.0 gpm)



California Faucets reserves the right to make modification and specification changes at any time.  
 Please verify dimensions prior to installation. Visit [www.calfaucets.com](http://www.calfaucets.com) for most current technical data.

