



California Faucets®

Montara™

STYLETHERM TRIM ONLY W/ SINGLE VOLUME CONTROL

TO-TH1L-66

Features

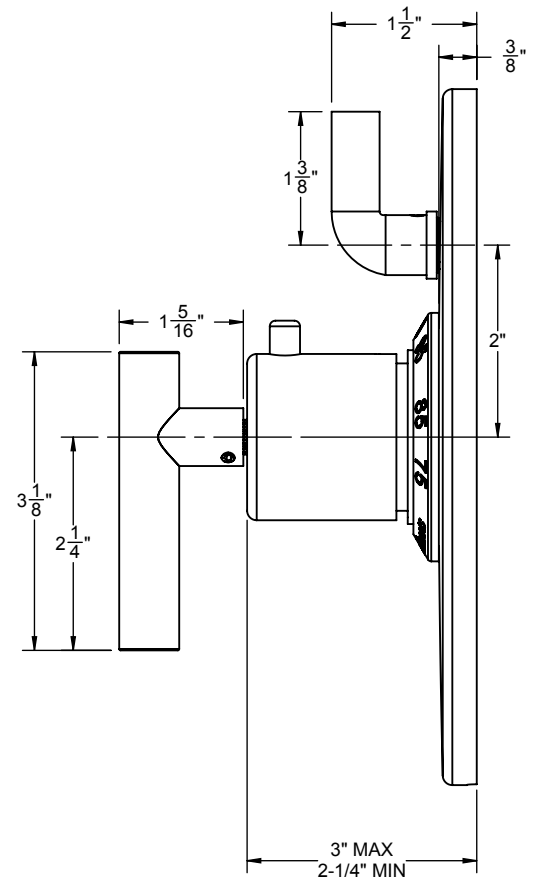
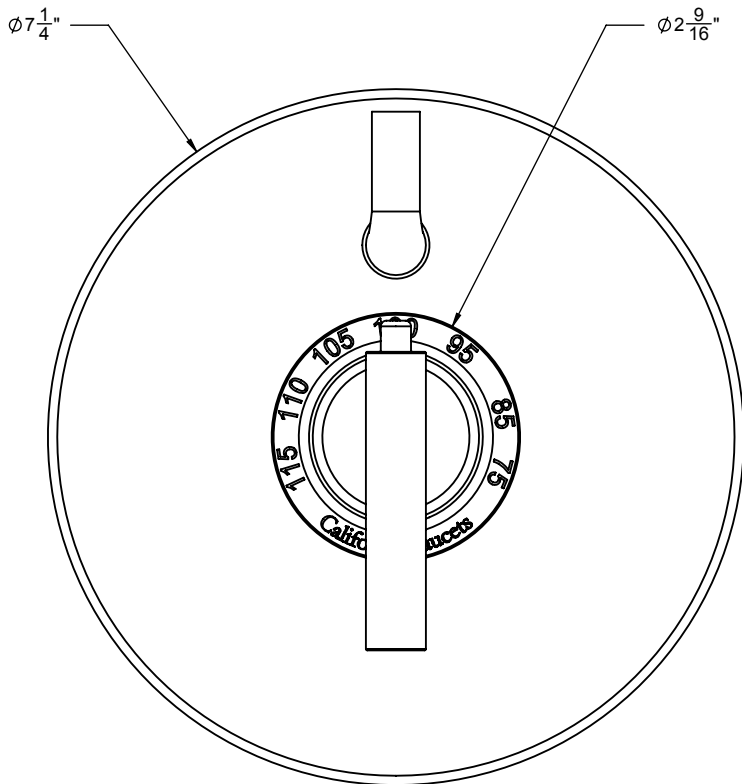
- 100° F safety stop button with manual override
- 7-1/4" diameter round faceplate
- Engraved brass temperature ring
- Single integral volume control
- All brass construction
- Over 30 finishes including 15 PVD finishes



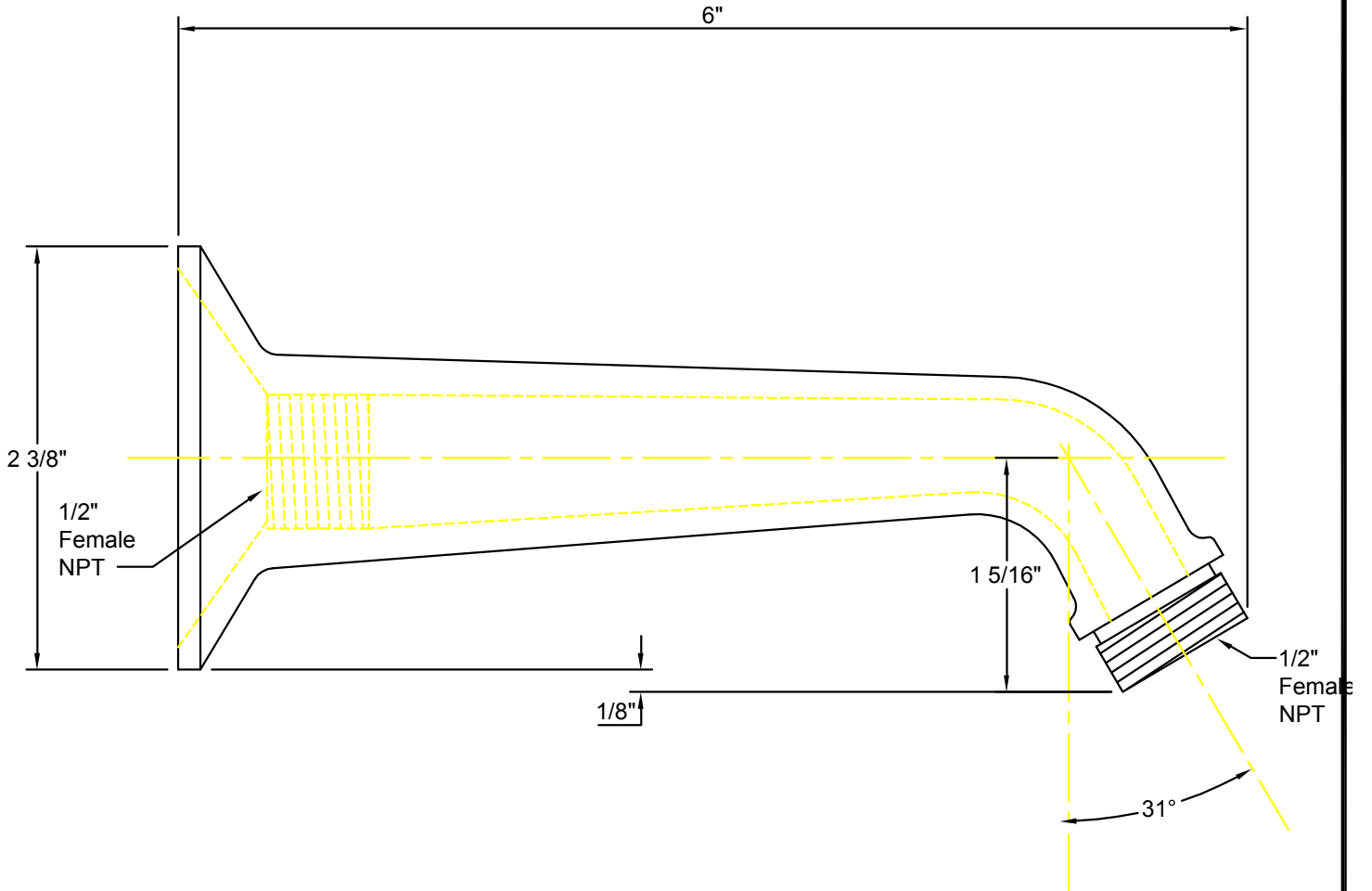
Codes/Standards Applicable

Product meets or exceeds the following:

- ASME A112.18.1/CSA B125.1
- ASSE 1016
- ADA compliant



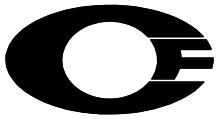
IMPORTANT:
All dimensions are + or -




California Faucets[®]
info@calfaucets.com
www.calfaucets.com

FIXTURE: One Piece 6" Shower Arm	
MODEL #: SH-01.6	
DWG NO:	REV:

REVISIONS	REV DATE	STARTING DATE:
		APPRVD DATE:
		APPRVD BY:
		SCALE: None
		DRAWN BY: William Linares william@calfaucets.com



California Faucets®

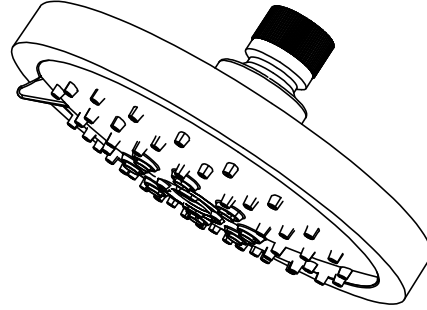
SHOWERHEAD

5-5/8" MULTI-FUNCTION CONTEMPORARY

Features

- 1/2" FIP inlet
- 3 function: rain, air & massage
- Self-cleaning rubber jets
- Solid brass pivot ball & body
- 5-5/8" diameter, gray face
- Over 30 finishes including 15 PVD finishes
- Replace .FR with desired max flow rate:
 - SH-083.25 for 2.5 gpm
 - SH-083.20 for 2.0 gpm
 - SH-083.18 for 1.8 gpm

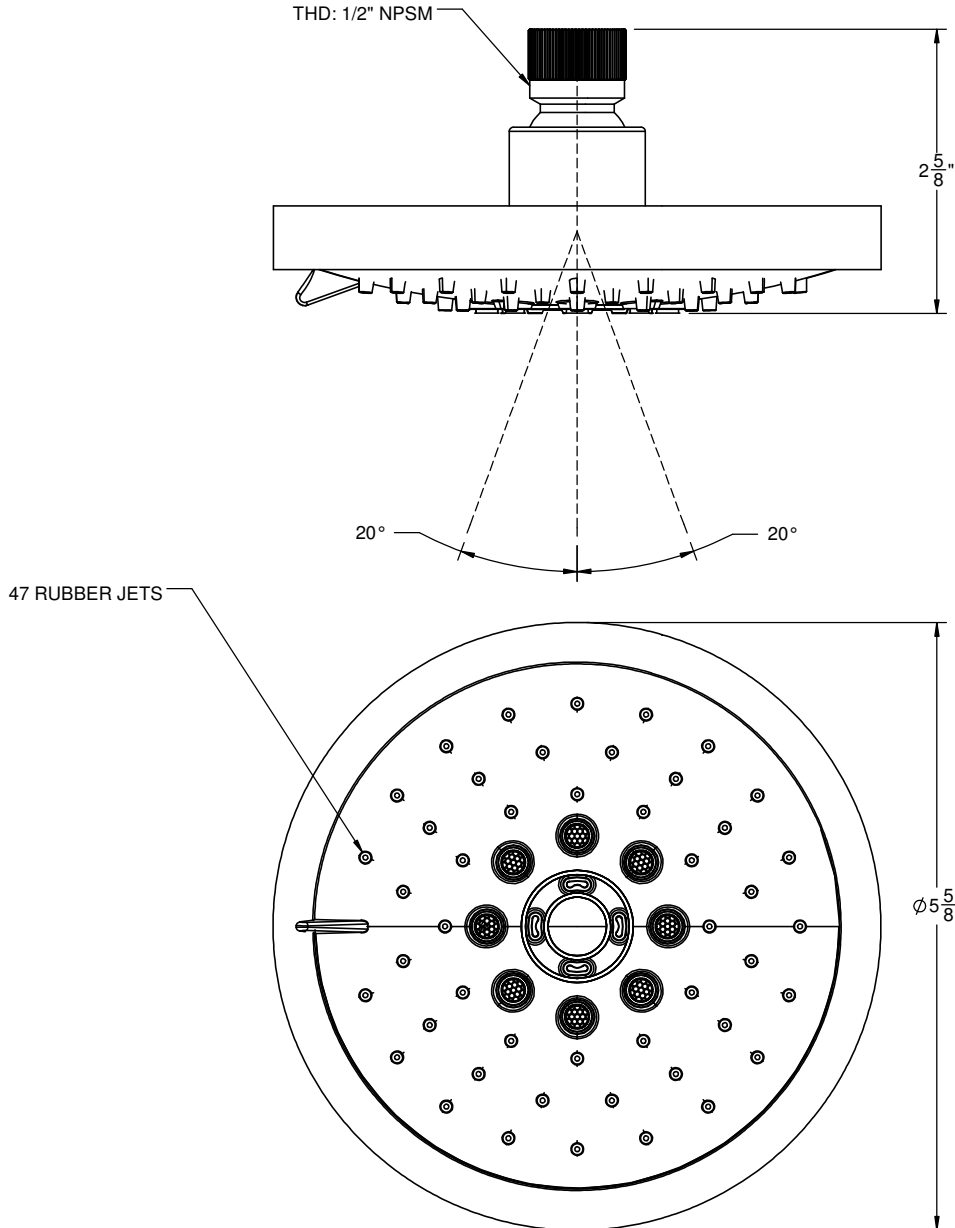
SH-083.25
SH-083.20
SH-083.18

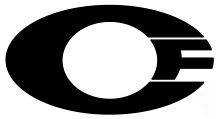


Codes/Standards

Product meets or exceeds the following:

- ASME A112.18.1/CSA B125.1
- CEC (1.8 gpm)
- DOE (2.5, 2.0, & 1.8 gpm)
- Commonwealth of MA
- EPA WaterSense Showerhead (2.0 gpm)





California Faucets®

Handshower

4-1/16" BRASS MULTI-FUNCTION HANDSHOWER

Features

- 1/2" MIP inlet
- 3 function handshower: rain, air, & massage
- Self-cleaning rubber jets
- All brass body
- 4-1/16" diameter, gray face
- Replace .FR with desired max flow rate
 - HS-083.25 for 2.5 gpm
 - HS-083.20 for 2.0 gpm
 - HS-083.18 for 1.8 gpm
- Over 28 finishes including 13 PVD finishes

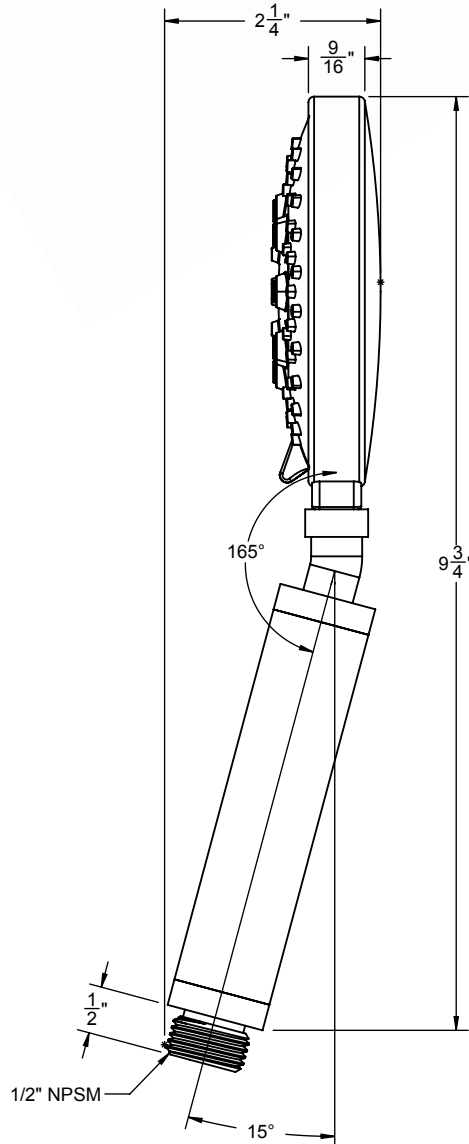
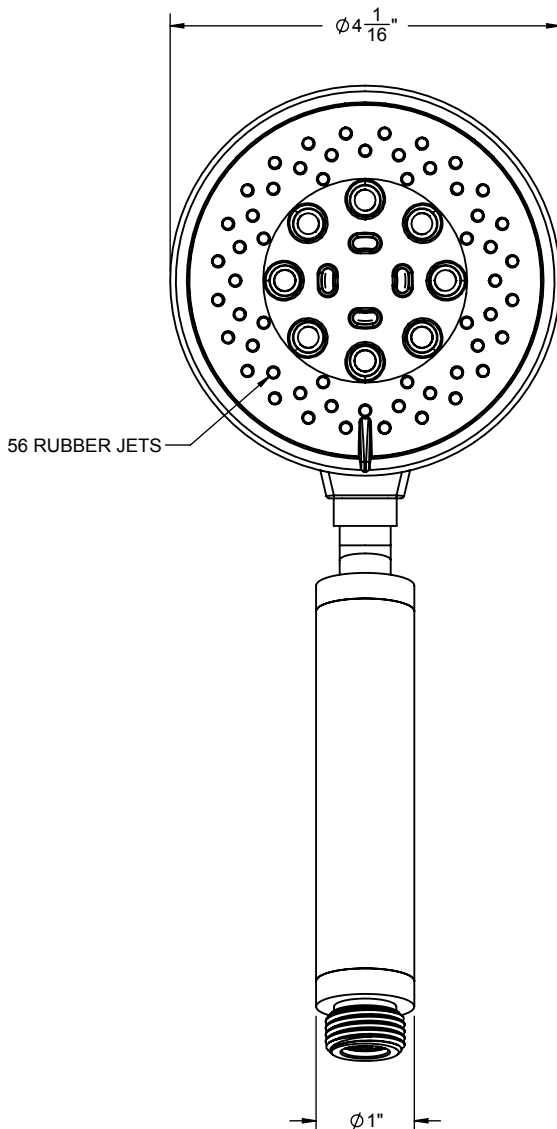
HS-083.25
 HS-083.20
 HS-083.18



Codes/Standards Applicable

Product meets or exceeds the following:

- ASME A112.18.1/CSA B125.1
- CEC (1.8 gpm)
- DOE (1.8, 2.0 & 2.5 gpm)
- Commonwealth of MA
- EPA WaterSense (2.0 gpm)

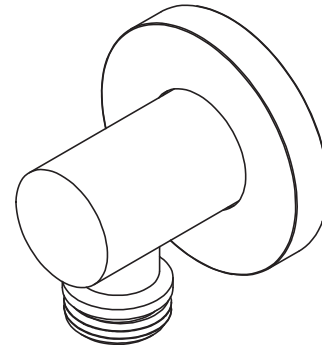




Features

- Over 30 finishes including 14 PVD finishes
- Solid brass construction
- 1/2" NPT (female) inlet connection
- 1/2" NPSM (male) outlet connection

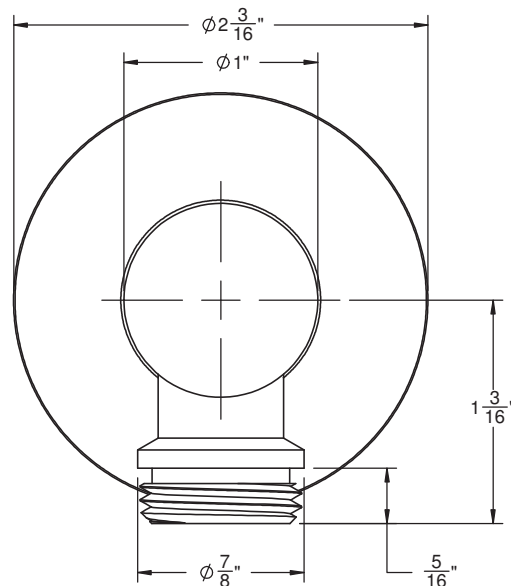
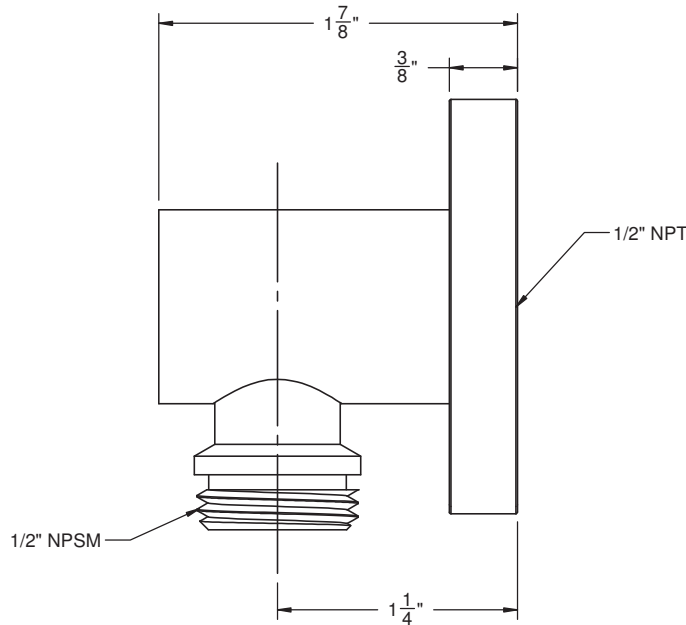
SH-10-65



Codes/Standards Applicable

Meets or exceeds the following at date of manufacture:

- ASME A112.18.1/CSA B125.1



ALL DIMENSIONS SHOWN TO NEAREST 1/16"



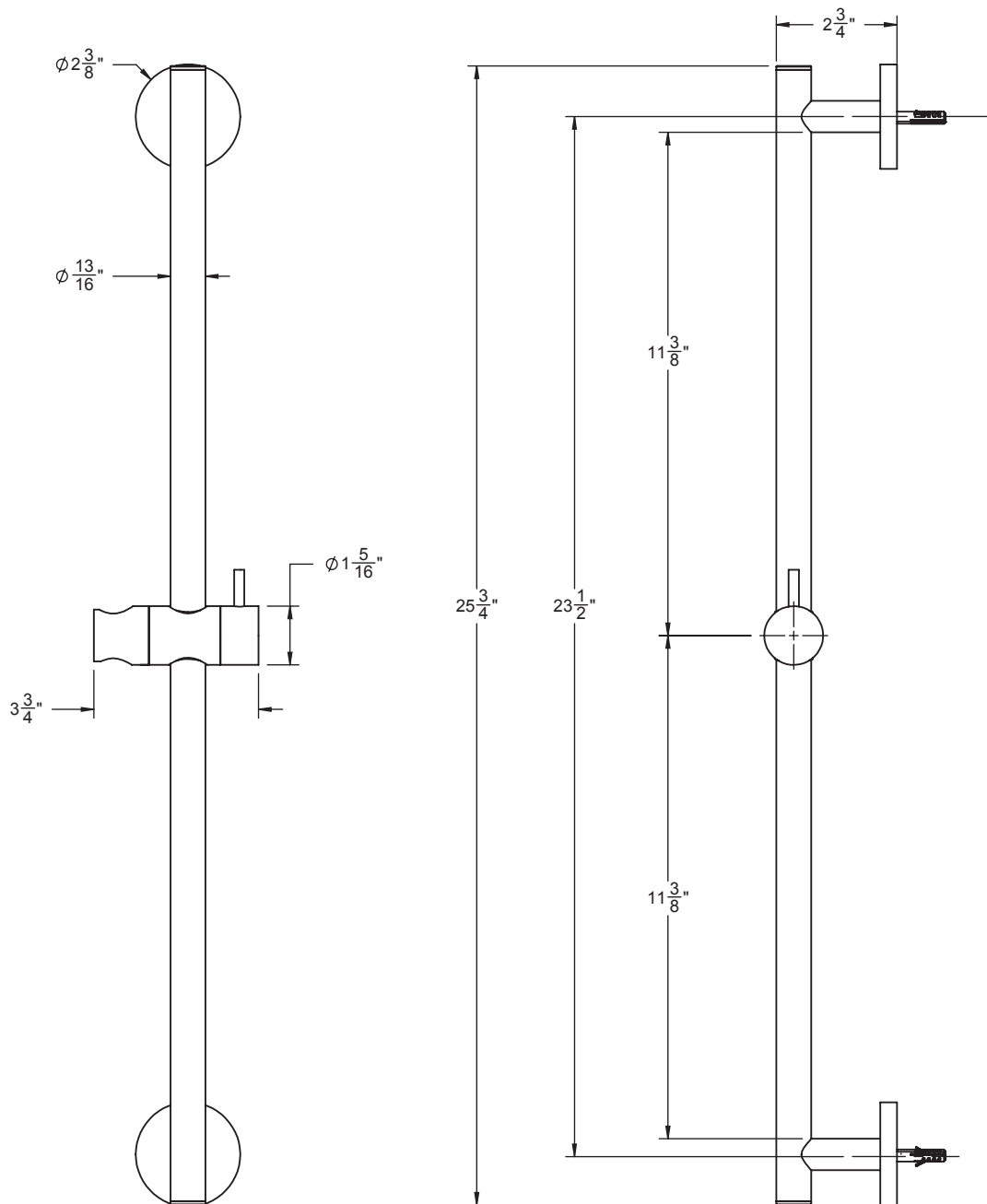
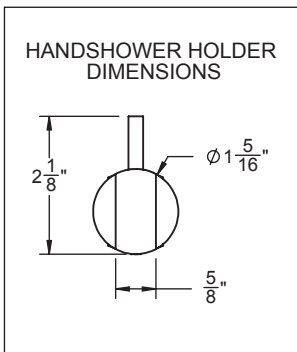
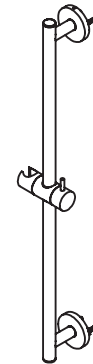
Features

- Over 30 finishes including 14 PVD finishes
- Solid brass construction
- Handshower holder slides up and down
- Handshower holder most conical end of hose (rotates allowing for varies spray direction)
- Right or left handed based on installation
- Includes all mounting hardware
- For additional product offerings, see www.californiafaucets.com

Codes/Standards Applicable

- Meets or exceeds the following at date of manufacture:
- ASME A112.18.1/CSA B125.1

SB-62



ALL DIMENSIONS SHOWN TO NEAREST 1/16"



California Faucets®

Handshower

HANDSHOWER HOSE

Features

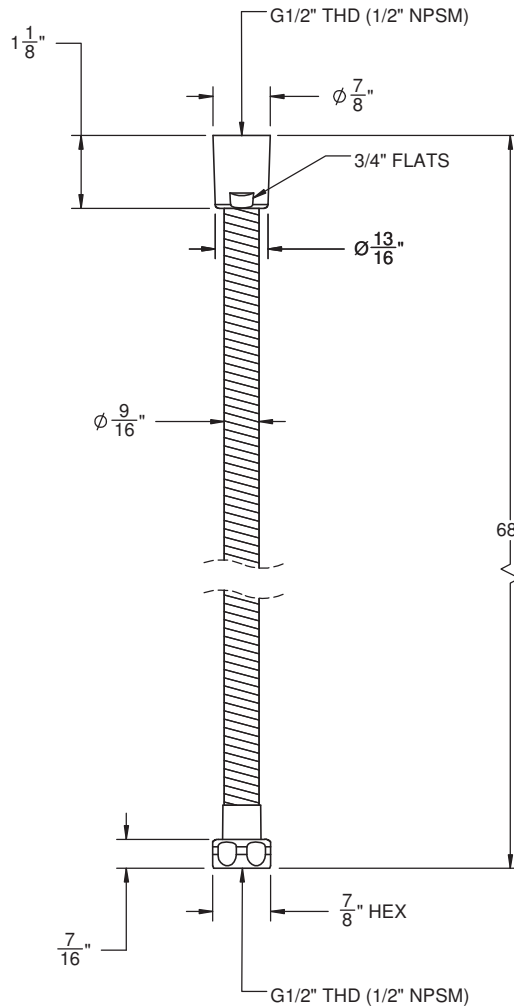
- 1/2" FIP inlet
- 1/2" FIP outlet
- Double spiral out hose for added strength
- Solid brass construction
- Over 30 finishes include 16 PVD finishes

Codes/Standards Applicable

Meets or exceeds the following at date of manufacture:

- ASME A112.18.1/CSA B125.1

HS-68



ALL DIMENSIONS SHOWN TO NEAREST 1/16"