

California Faucets®

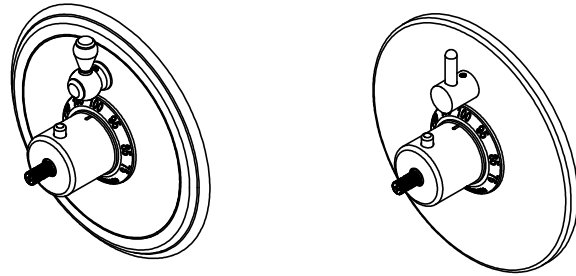
1/2" Thermostatic Valve w/ Single Volume Control Trim Only

StyleTherm®

Features

- Over 30 finishes including 12 PVD finishes
 - All brass construction
 - Contemporary or traditional faceplate
 - Engraved brass temperature ring
 - 100°F safety stop button with manual override
 - Contemporary or traditional volume control handle
 - Handles to match all California Faucets series
- See www.calfaucets.com for complete selection

TO-TH1L-XX



Codes/Standards Applicable

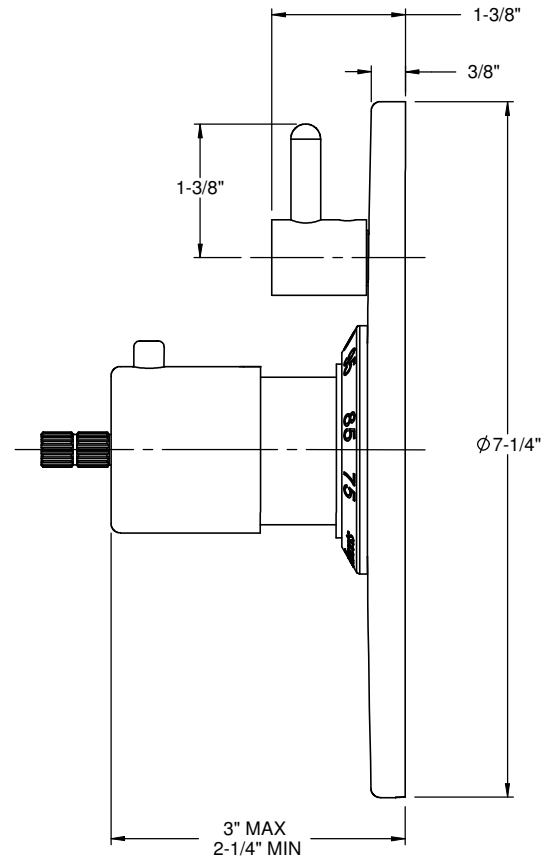
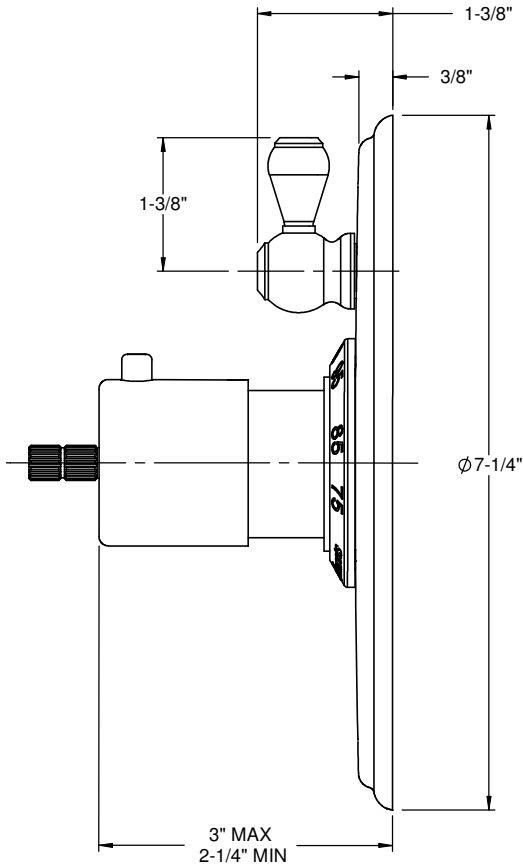
Specified model meets or exceeds the following:

- ASME A112.18.1-2005/CSA B125.1-05
- ASSE 1016
- ADA (with lever handles)
- Listed IAPMO/C UPC®

XX = Series Handle

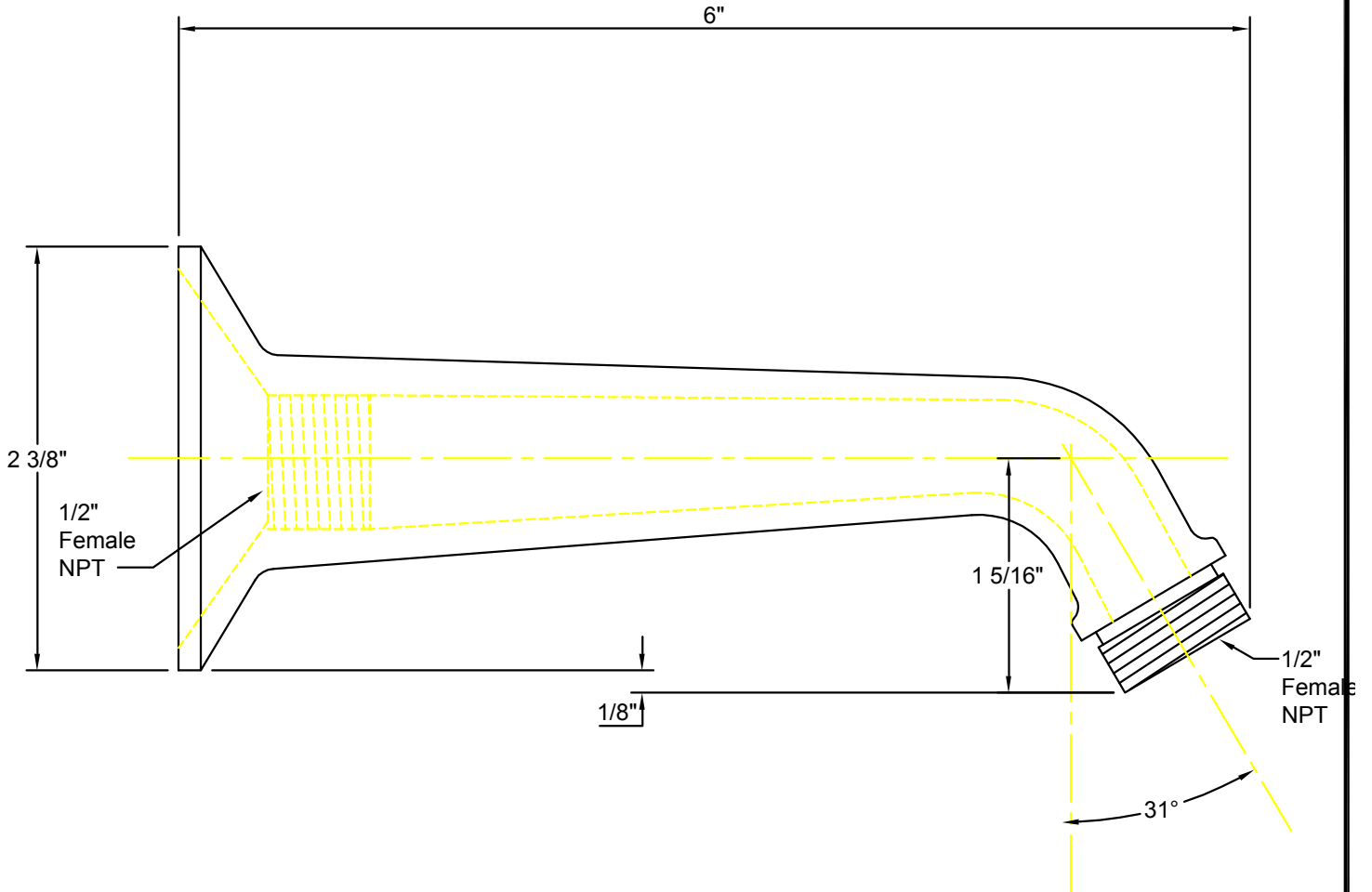
Traditional Faceplate

Contemporary Faceplate



ALL DIMENSIONS SHOWN TO NEAREST 1/16"

IMPORTANT:
All dimensions are + or -




California Faucets[®]
info@calfaucets.com
www.calfaucets.com

FIXTURE:
One Piece 6" Shower Arm

MODEL #: SH-01.6

DWG NO: .

REV:

REVISIONS	REV DATE	STARTING DATE:
		APPRVD DATE:
		APPRVD BY:
		SCALE: None
		DRAWN BY: William Linares william@calfaucets.com



California Faucets®

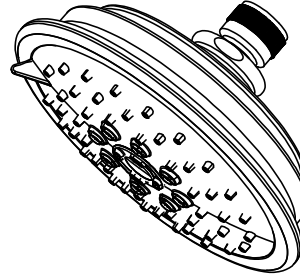
SHOWERHEAD

5-5/8" MULTI-FUNCTION TRADITIONAL

Features

- 1/2" FIP inlet
- 3 function: rain, air & massage
- Self-cleaning rubber jets
- Solid brass pivot ball & body
- 5-5/8" diameter, gray face
- Over 30 finishes including 15 PVD finishes
- Replace .FR with desired max flow rate:
SH-073.25 for 2.5 gpm
SH-073.20 for 2.0 gpm
SH-073.18 for 1.8 gpm

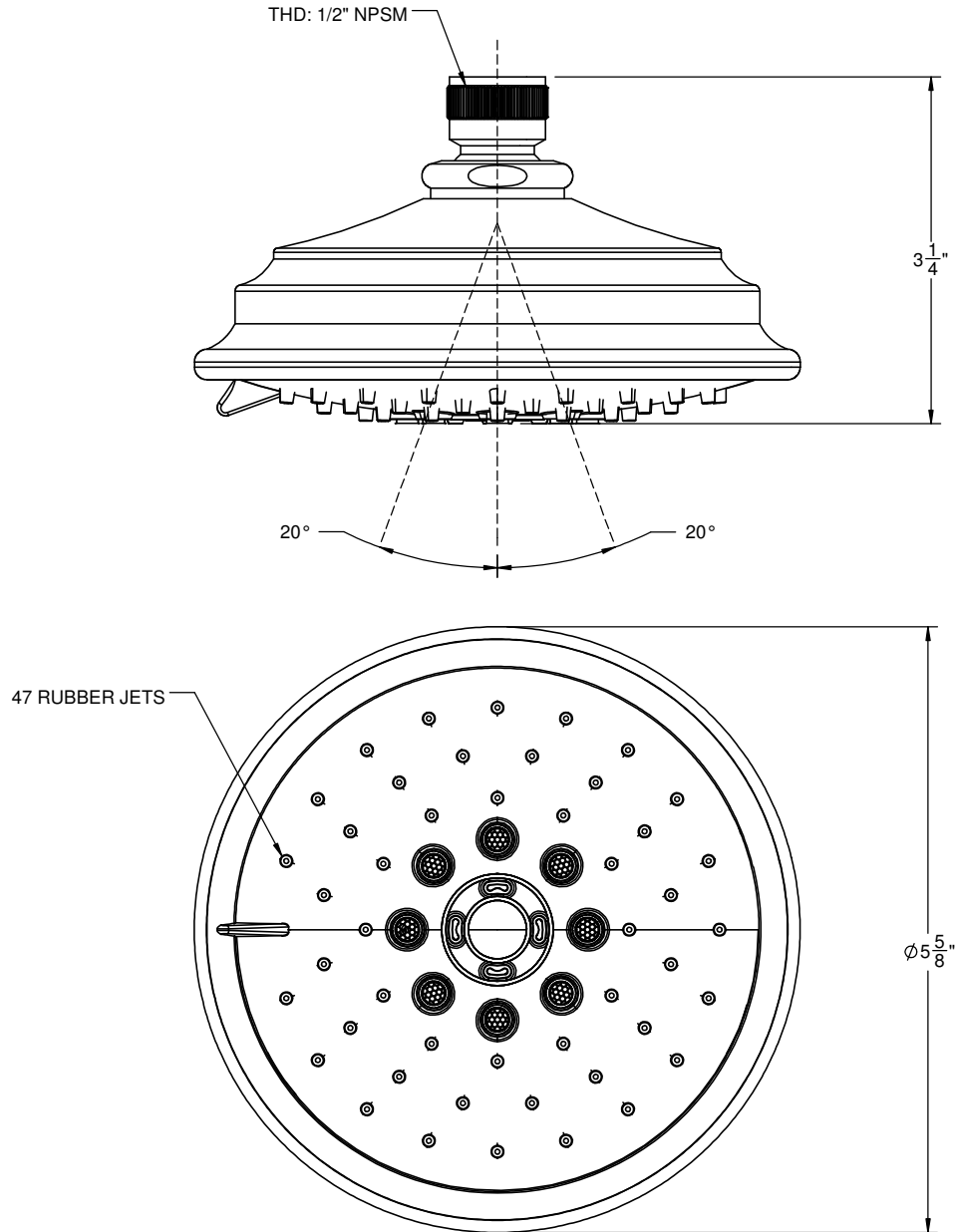
SH-073.25
SH-073.20
SH-073.18



Codes/Standards

Product meets or exceeds the following:

- ASME A112.18.1/CSA B125.1
- CEC (1.8 gpm)
- DOE (2.5, 2.0, & 1.8 gpm)
- Commonwealth of MA
- EPA WaterSense Showerhead (2.0 gpm)





California Faucets®

Handshower

4-1/8" BRASS MULTI-FUNCTION HANDSHOWER

Features

- 1/2" MIP inlet
- 3 function handshower: rain, air, & massage
- Self-cleaning rubber jets
- All brass body
- 4-1/8" diameter, gray face
- Replace .FR with desired max flow rate:
 - HS-073.25 for 2.5 gpm
 - HS-073.20 for 2.0 gpm
 - HS-073.18 for 1.8 gpm
- Over 28 finishes including 13 PVD finishes

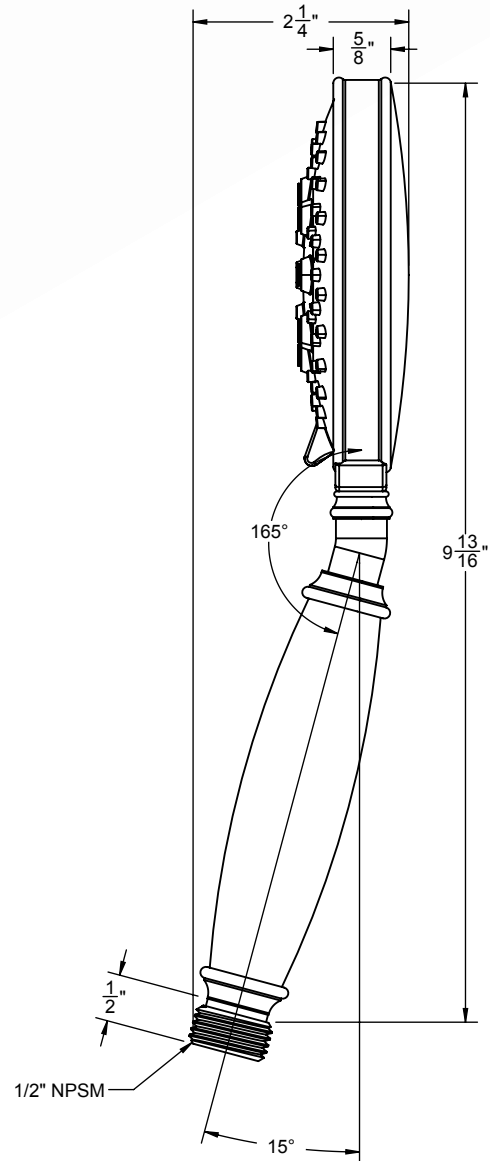
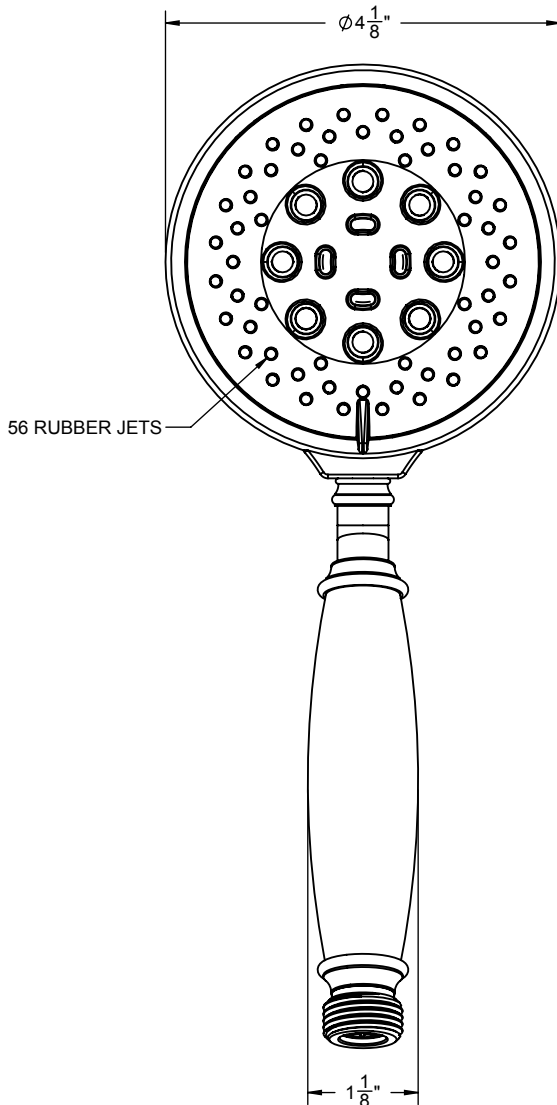
HS-073.25
 HS-073.20
 HS-073.18



Codes/Standards Applicable

Product meets or exceeds the following:

- ASME A112.18.1/CSA B125.1
- CEC (1.8 gpm)
- DOE (1.8, 2.0 & 2.5 gpm)
- Commonwealth of MA
- EPA WaterSense (2.0 gpm)



SPECIFICATIONS SUBJECT TO CHANGE WITHOUT NOTICE

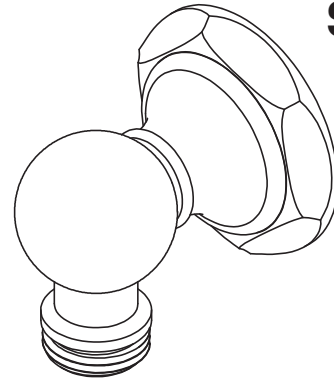
ALL DIMENSIONS SHOWN TO NEAREST 1/16"



Features

- Over 30 finishes including 14 PVD finishes
- Solid brass construction
- 1/2" NPT (female) inlet connection
- 1/2" NPSM (male) outlet connection

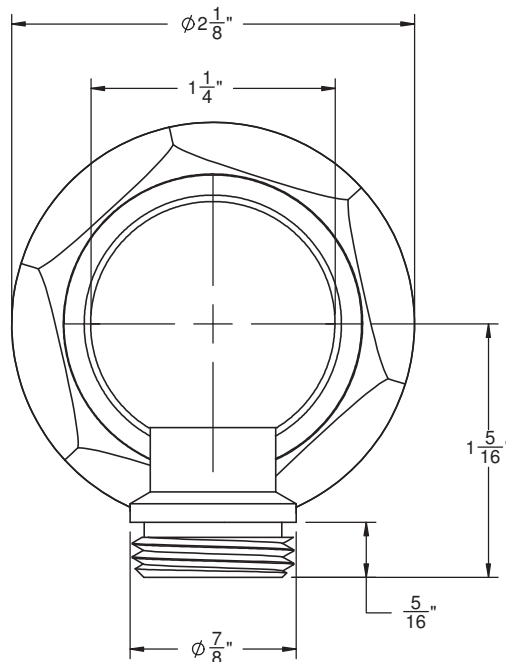
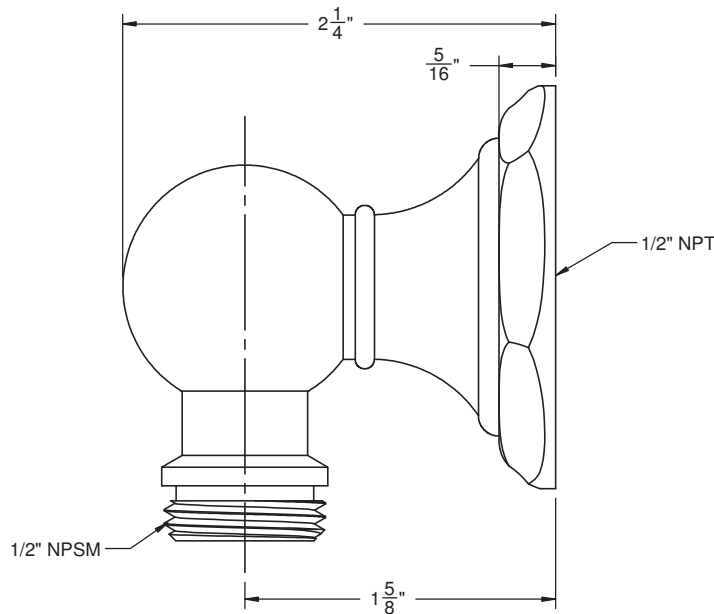
SH-10-47



Codes/Standards Applicable

Meets or exceeds the following at date of manufacture:

- ASME A112.18.1/CSA B125.1



ALL DIMENSIONS SHOWN TO NEAREST 1/16"



Features

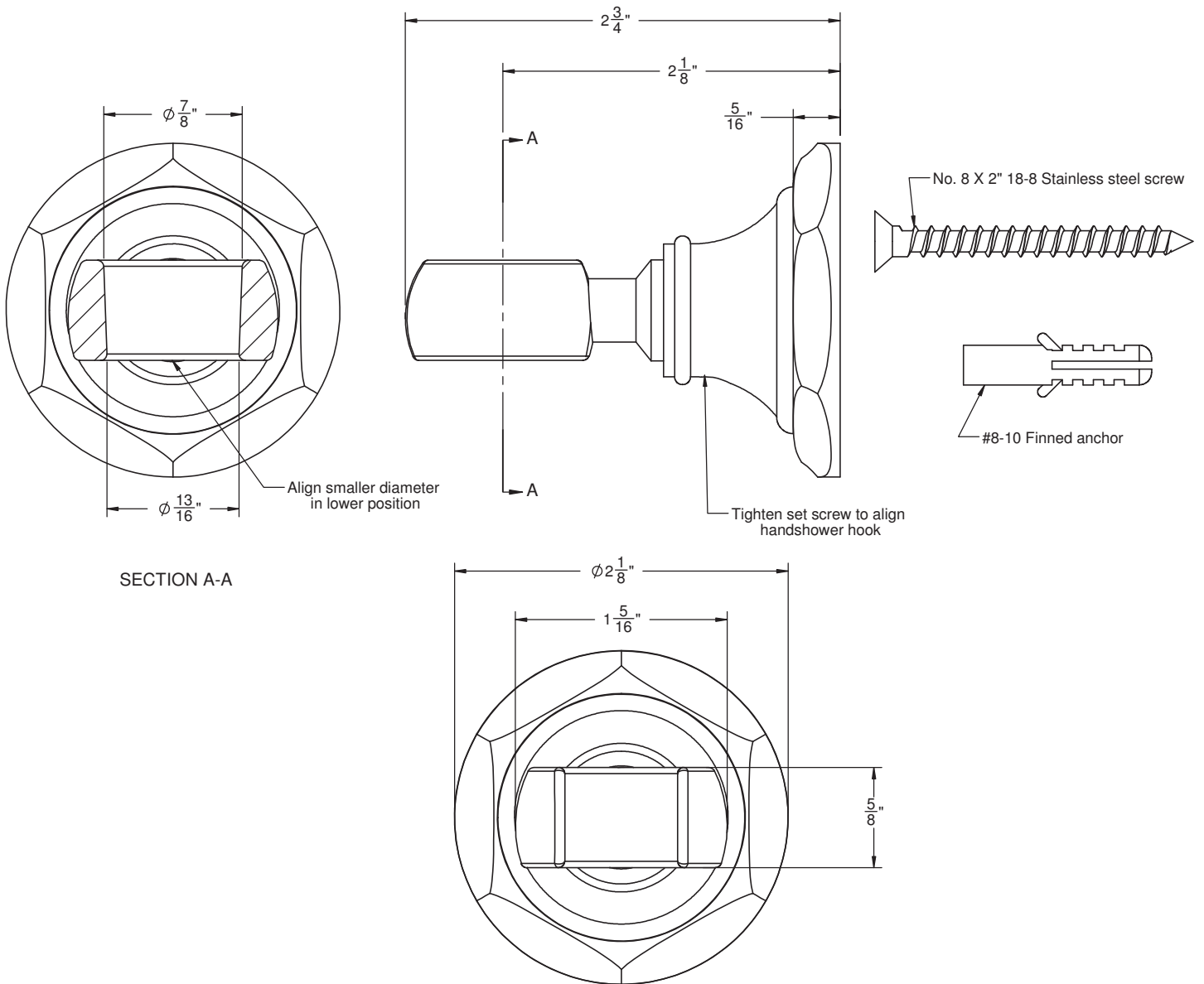
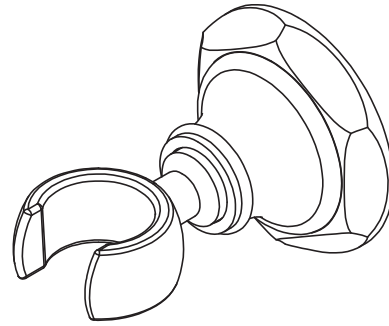
- Over 30 finishes including 14 PVD finishes
- Solid brass construction
- All mounting hardware included
- Accepts most conical handshower hoses

Codes/Standards Applicable

Meets or exceeds the following at date of manufacture:

- ASME A112.18.1/CSA B125.1

SH-20-47





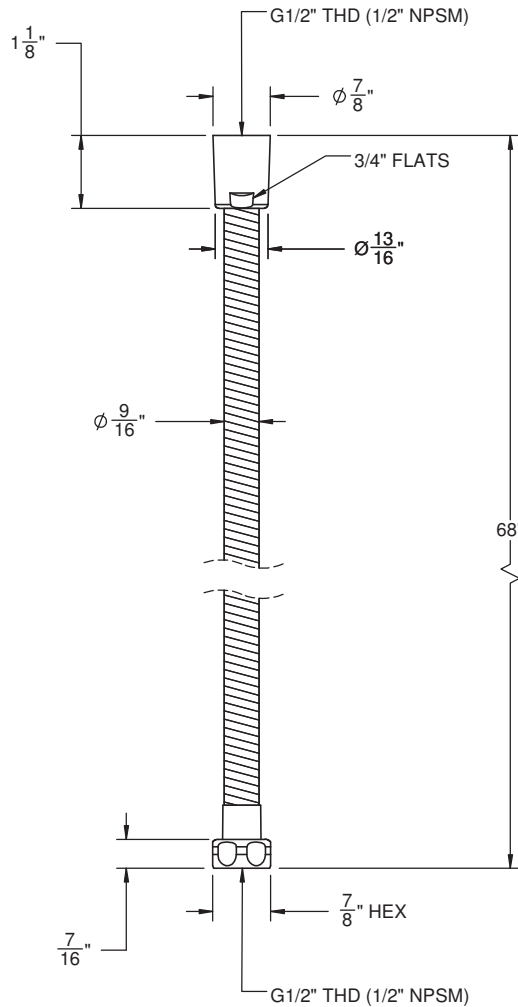
Features

- 1/2" FIP inlet
- 1/2" FIP outlet
- Double spiral out hose for added strength
- Solid brass construction
- Over 30 finishes include 16 PVD finishes

Codes/Standards Applicable

- Meets or exceeds the following at date of manufacture:
- ASME A112.18.1/CSA B125.1

HS-68



ALL DIMENSIONS SHOWN TO NEAREST 1/16"