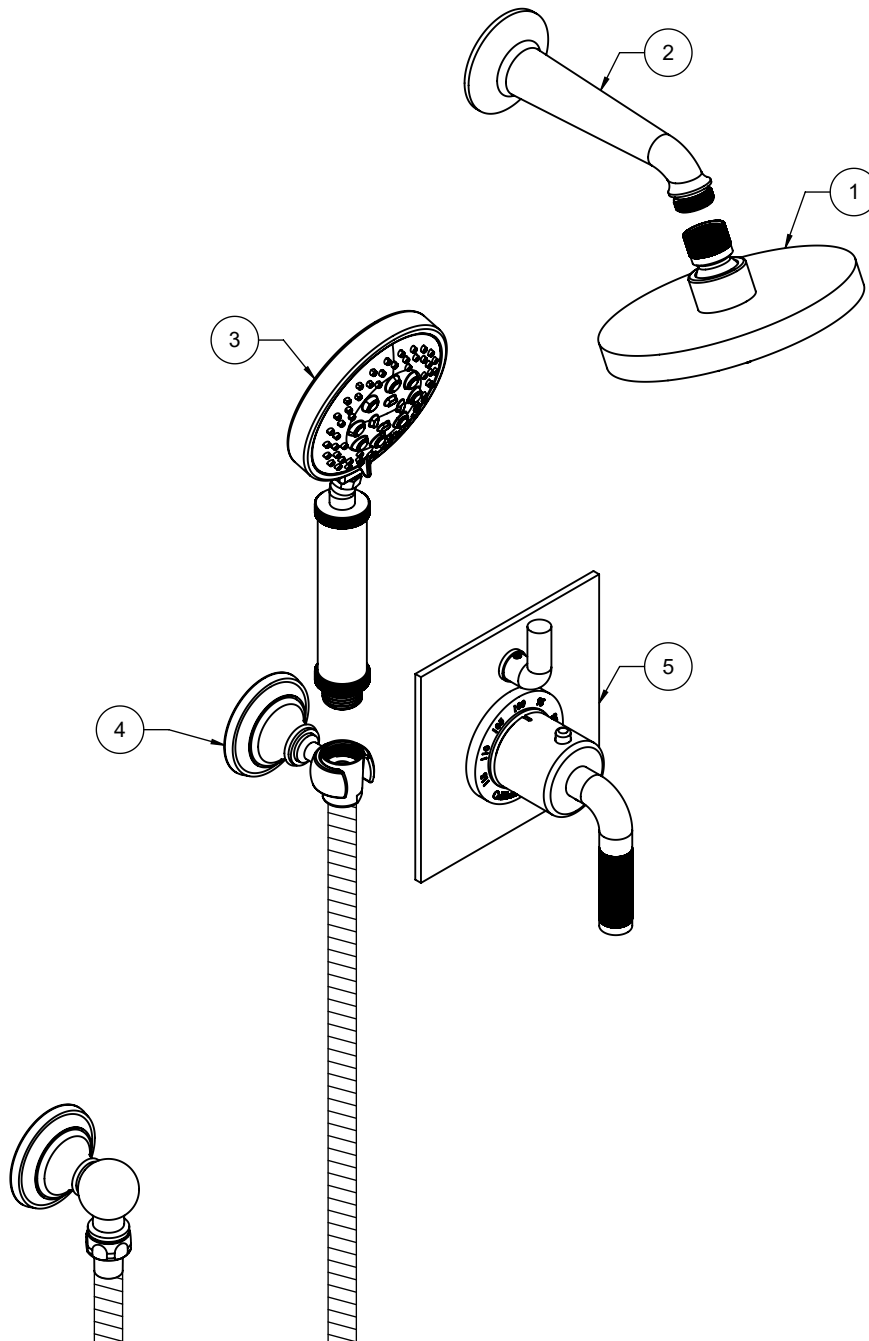




"ZZ" denotes finish, "FR" denotes flow rate

Item	Model	Description	Links
1	SH-083.FR-ZZ	5-5/8" Multi-Function Showerhead	Specification Sheet
2	SH-01.6-ZZ	One Piece 6" Shower Arm & Flange	Specification Sheet
3	HS-083-30K.FR-ZZ	4-1/16" Brass Multi-Function Handshower	Specification Sheet
4	9125-48-ZZ	Wall Mounted Handshower Kit	Specification Sheet
5	TO-THF1L-30K-ZZ	StyleTherm® Trim Only with Single Volume Control	Specification Sheet





California Faucets®

SHOWERHEAD

5-5/8" MULTI-FUNCTION CONTEMPORARY

Features

- 1/2" FIP inlet
- 3 function: rain, air & massage
- Self-cleaning rubber jets
- Solid brass pivot ball & body
- 5-5/8" diameter, gray face
- Available in 28 finishes including 13 PVD finishes
- Replace .FR with desired max flow rate:
SH-083.25 for 2.5 gpm
SH-083.20 for 2.0 gpm
SH-083.18 for 1.8 gpm

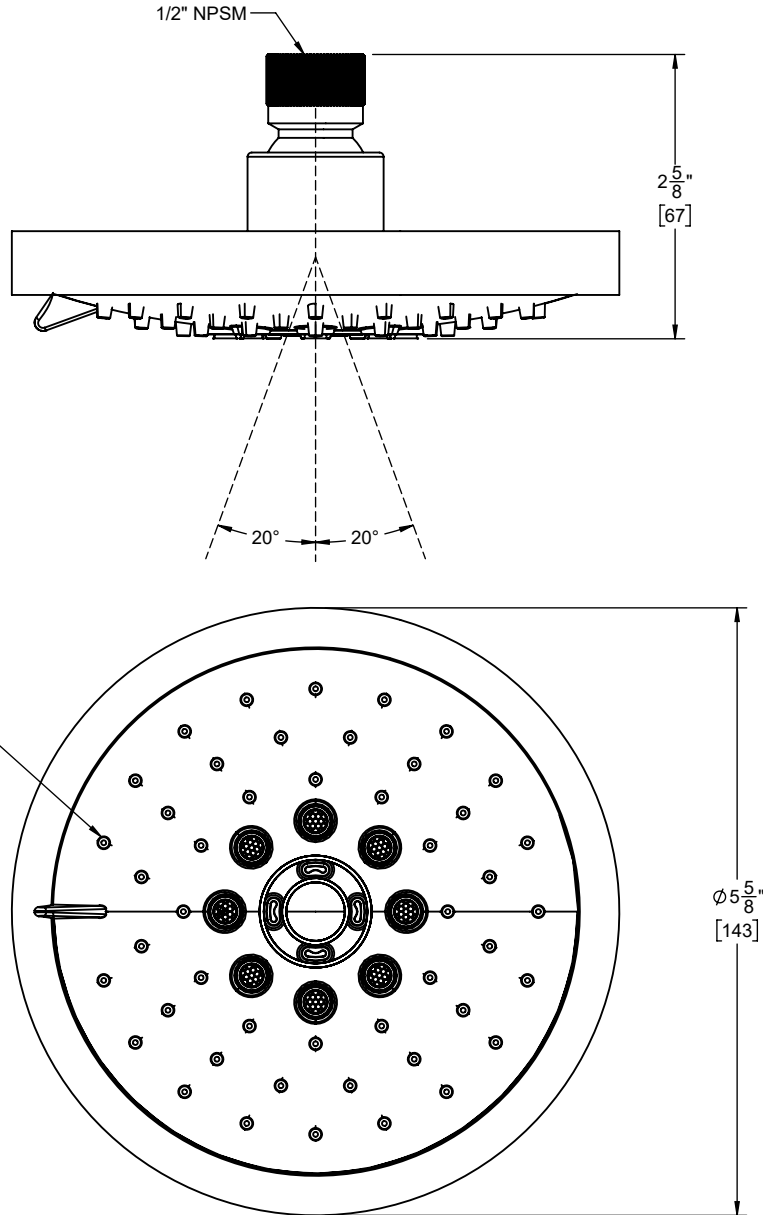
SH-083.25
SH-083.20
SH-083.18



Codes/Standards

Product meets or exceeds the following:

- ASME A112.18.1/CSA B125.1
- CEC (1.8 gpm)
- DOE (2.5, 2.0, & 1.8 gpm)
- Commonwealth of MA
- EPA WaterSense Showerhead (2.0 gpm)





California Faucets®

Shower Arm

One Piece 6" Shower Arm & Flange

SH-01.6

Features

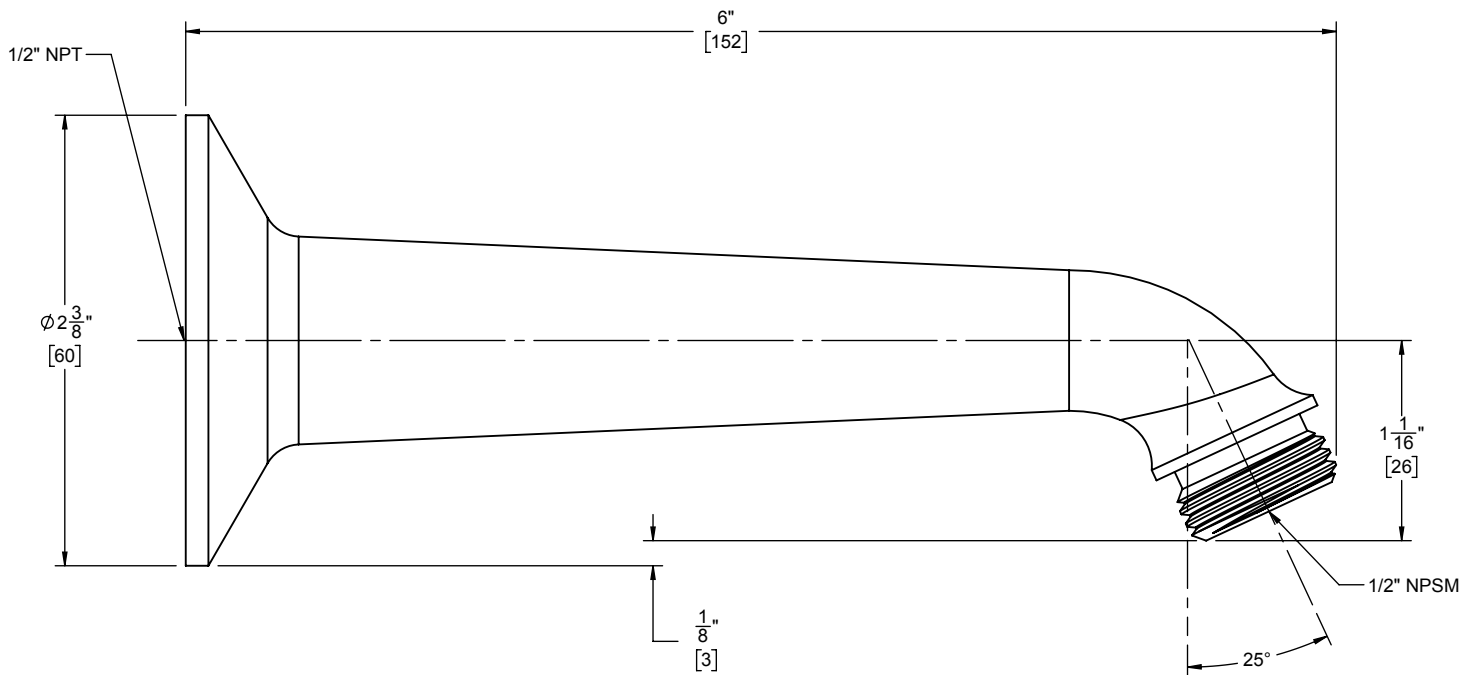
- Available in 28 finishes including 13 PVD finishes
- All brass construction



Codes/Standards

Product meets or exceeds the following:

- ASME A112.18.1/CSA B125.1





California Faucets®

Handshower

4-1/16" MULTI-FUNCTION DESCANSO® HANDSHOWER

Features

- 1/2" MIP inlet
- 3 function handshower: rain, air, & massage
- Self cleaning rubber jets
- Brass body
- 4-1/16" diameter, gray face
- Replace .FR with desired max flow rate:
 HS-083-30K.25 for 2.5 gpm
 HS-083-30K.20 for 2.0 gpm
 HS-083-30K.18 for 1.8 gpm
- Over 28 finishes including 13 PVD finishes

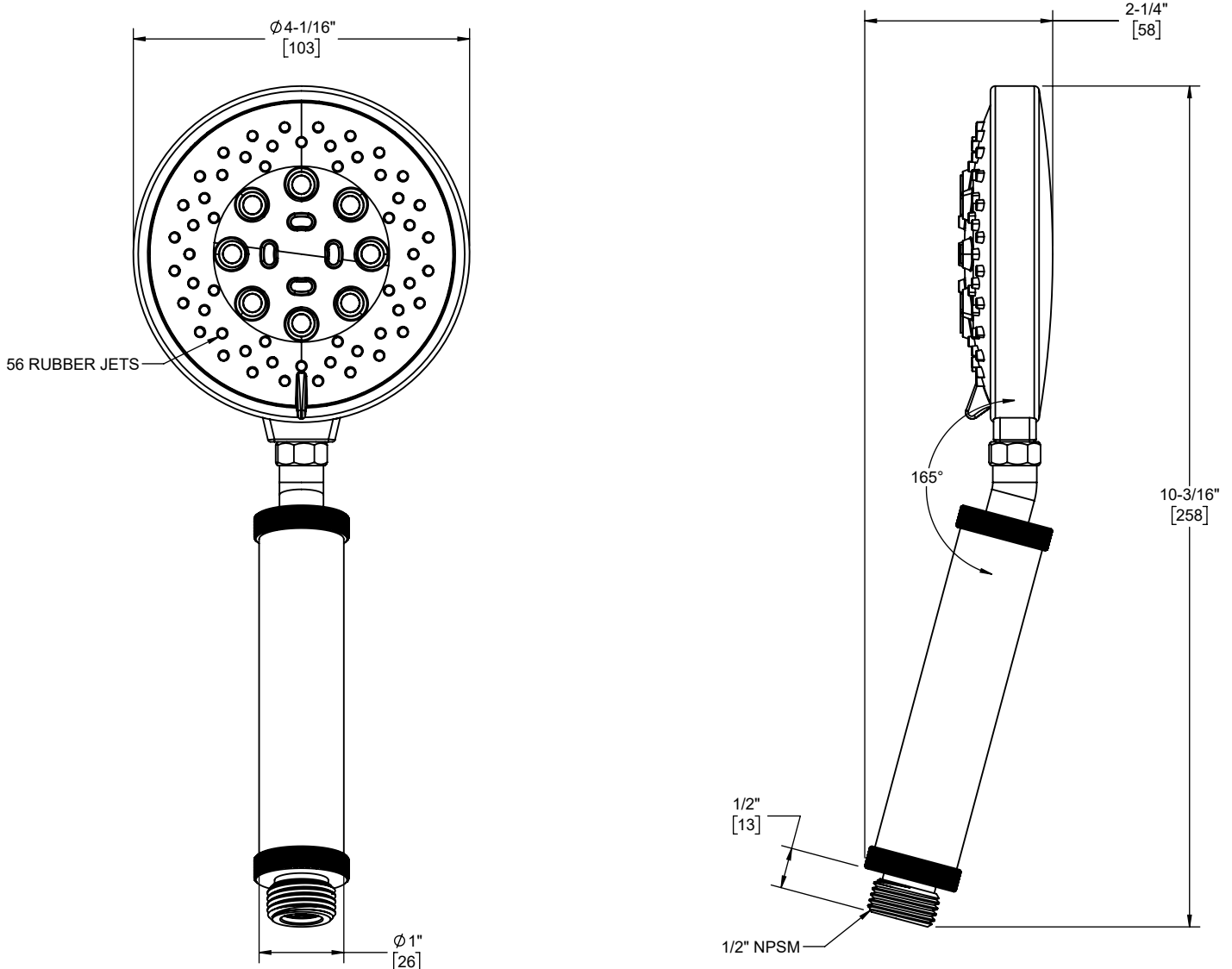
Codes/Standards Applicable

Product meets or exceeds the following:

- ASME A112.18.1/CSA B125.1
- CEC (1.8 gpm)
- DOE (1.8, 2.0, & 2.5 gpm)
- Commonwealth of MA
- EPA WaterSense (2.0 gpm)

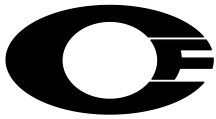


HS-083-30K.18
HS-083-30K.20
HS-083-30K.25



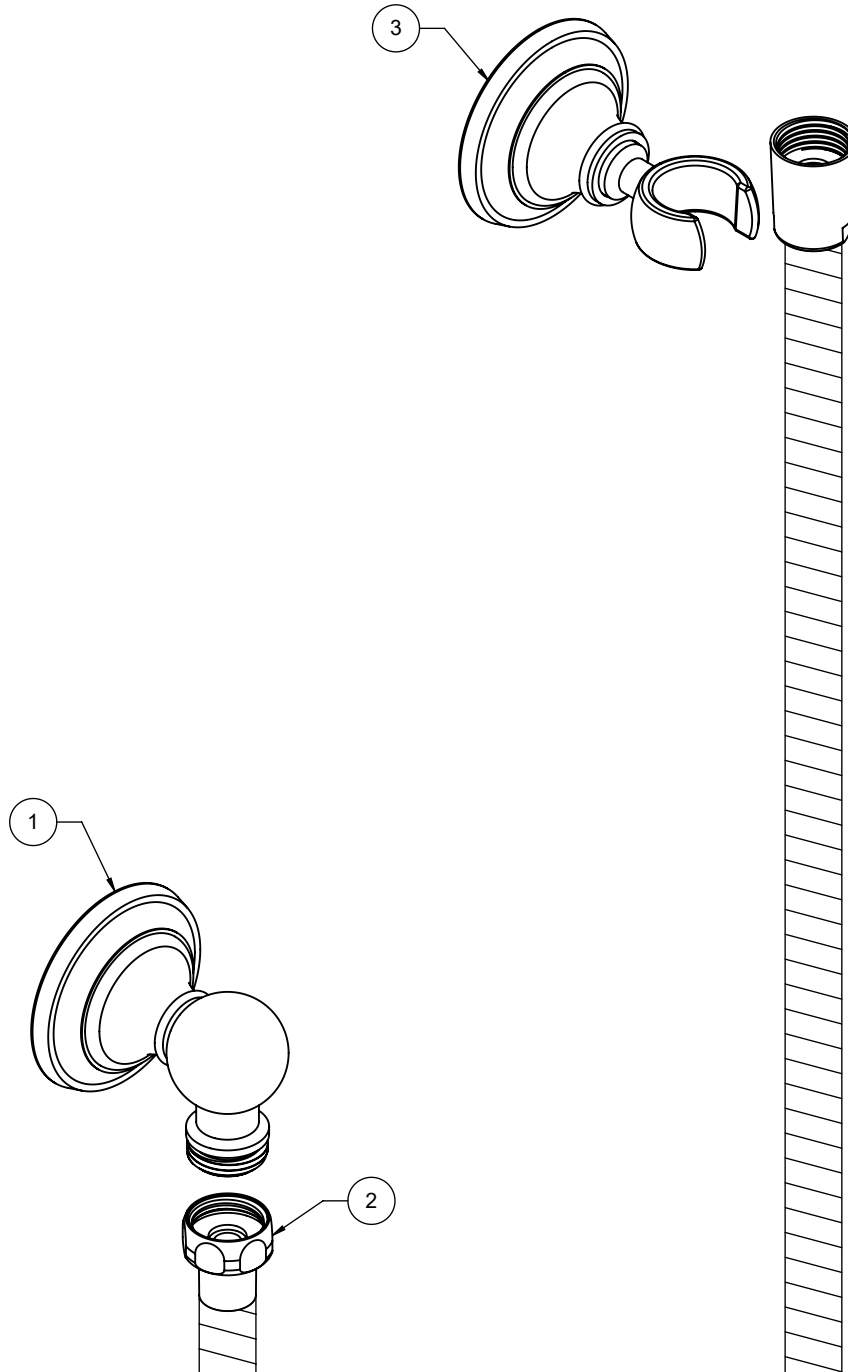
SPECIFICATIONS SUBJECT TO CHANGE WITHOUT NOTICE

ALL DIMENSIONS SHOWN TO NEAREST 1/16"
[ALL DIMENSIONS SHOWN TO NEAREST 1MM]



"ZZ" denotes finish

Item	Model	Description	Links
1	SH-10-48-ZZ	Decorative Supply Elbow	Specification Sheet
2	HS-68-ZZ	68" Brass Hose for Handshower	Specification Sheet
3	SH-20-48-ZZ	Decorative Wall Bracket	Specification Sheet





California Faucets®

Descanso™

STYLETHERM TRIM ONLY W/ SINGLE VOLUME CONTROL

Features

- All brass construction
- 100°F safety stop button with manual override
- Single integral volume control
- 5-1/4" square faceplate; flat profile
- Less head, arm and flange
- Engraved brass temperature ring
- Over 30 finishes including 15 PVD finishes

Codes/Standards Applicable

Product meets or exceeds the following:

- ASME A112.18.1/CSA B125.1
- ASSE 1016
- ADA compliant



(TO-THF1L-30K SHOWN)

TO-THF1L-30K
TO-THF1L-30F

