



California Faucets®

**Descanso™**

**STYLETHERM TRIM ONLY W/ SINGLE VOLUME CONTROL**

**Features**

- All brass construction
- 100° F safety stop button with manual override
- Single integral volume control
- 7-1/4" round faceplate
- Less head, arm, flange and spout
- Engraved brass temperature ring
- Over 30 finishes including 15 PVD finishes

**Codes/Standards Applicable**

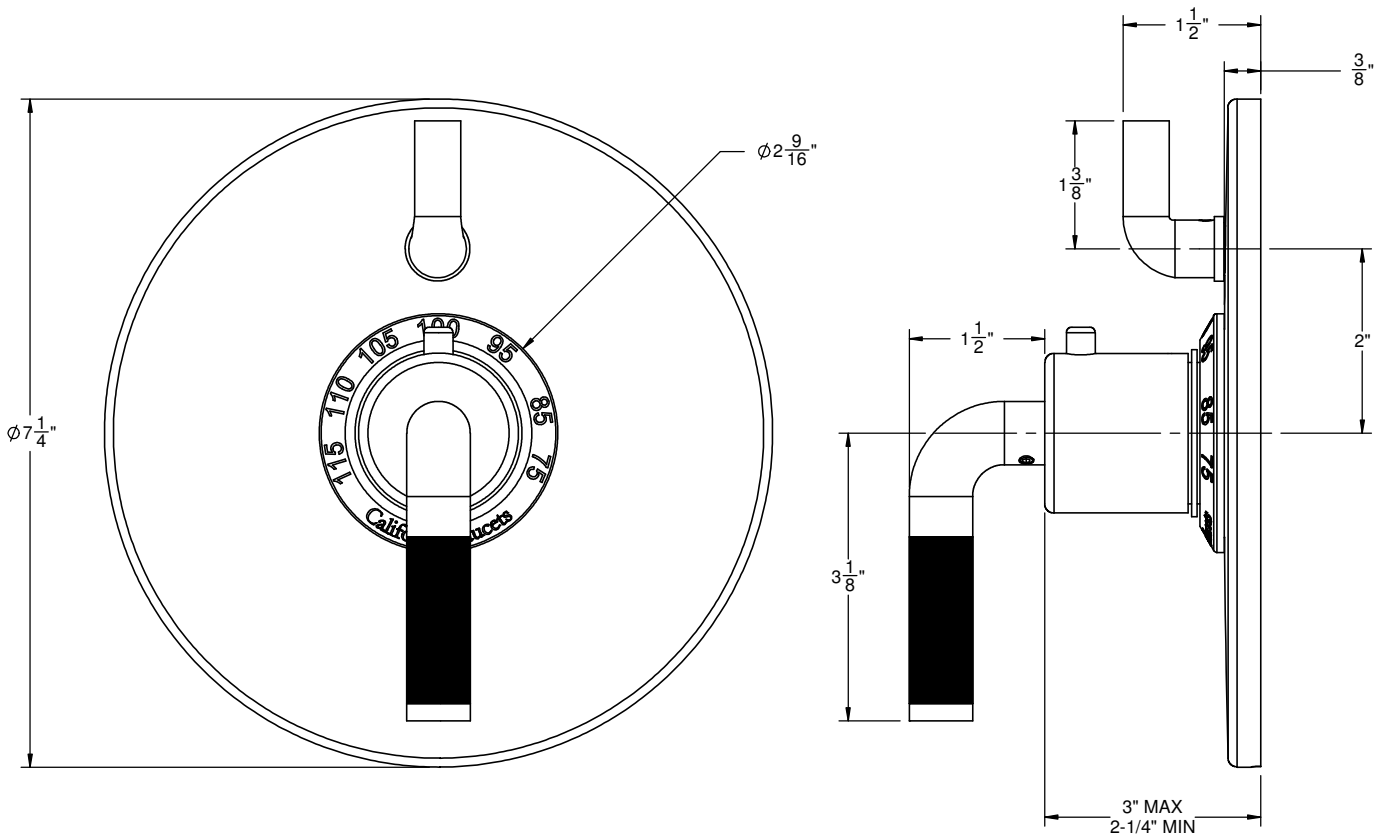
Product meets or exceeds the following:

- ASME A112.18.1/CSA B125.1
- ASSE 1016
- ADA compliant

**TO-TH1L-30K  
TO-TH1L-30F**



(TO-TH1L-30K SHOWN)





California Faucets®

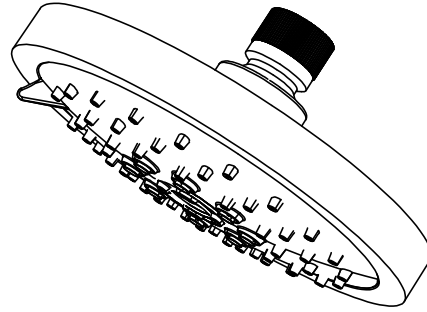
# SHOWERHEAD

5-5/8" MULTI-FUNCTION CONTEMPORARY

## Features

- 1/2" FIP inlet
- 3 function: rain, air & massage
- Self-cleaning rubber jets
- Solid brass pivot ball & body
- 5-5/8" diameter, gray face
- Over 30 finishes including 15 PVD finishes
- Replace .FR with desired max flow rate:
  - SH-083.25 for 2.5 gpm
  - SH-083.20 for 2.0 gpm
  - SH-083.18 for 1.8 gpm

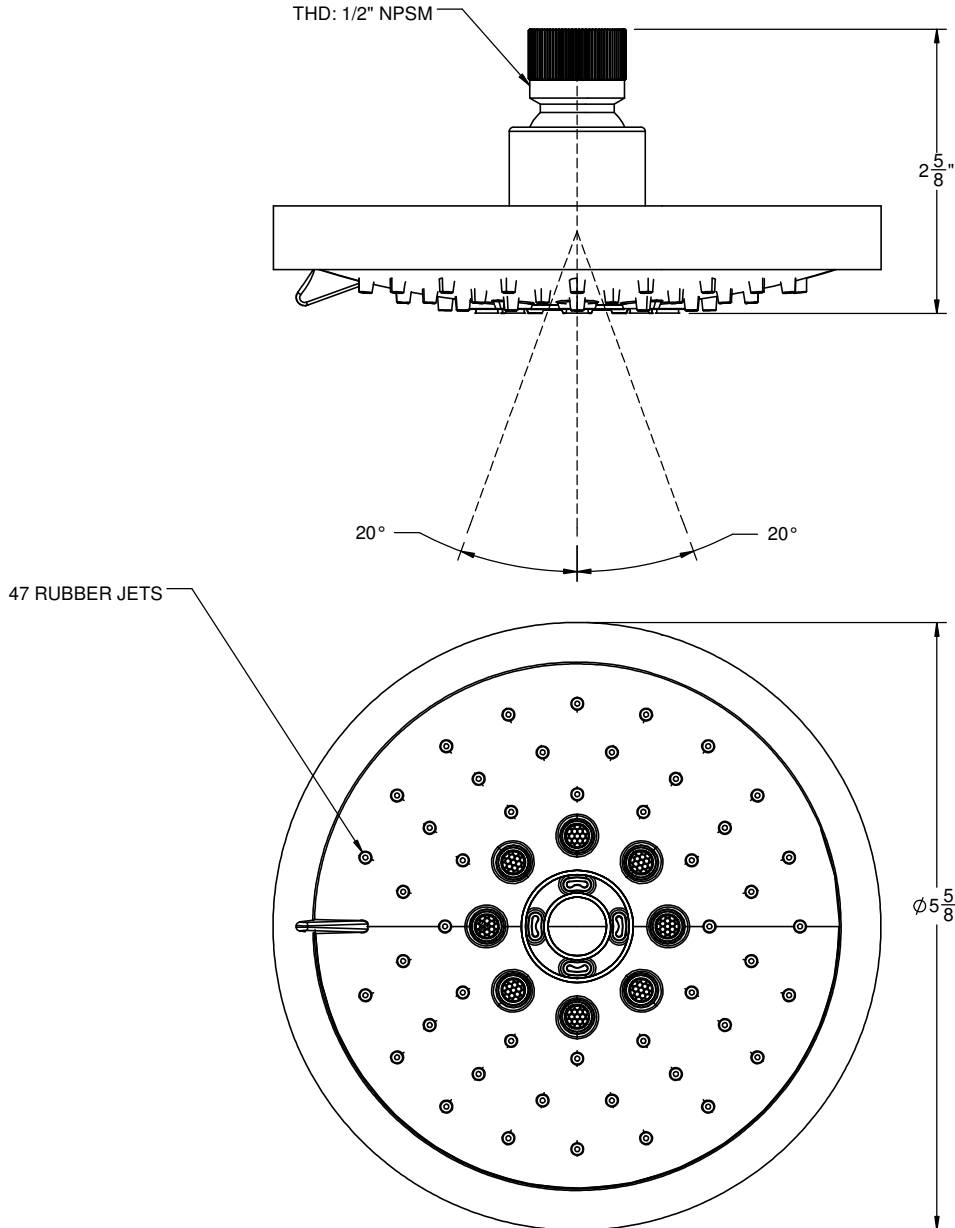
SH-083.25  
SH-083.20  
SH-083.18



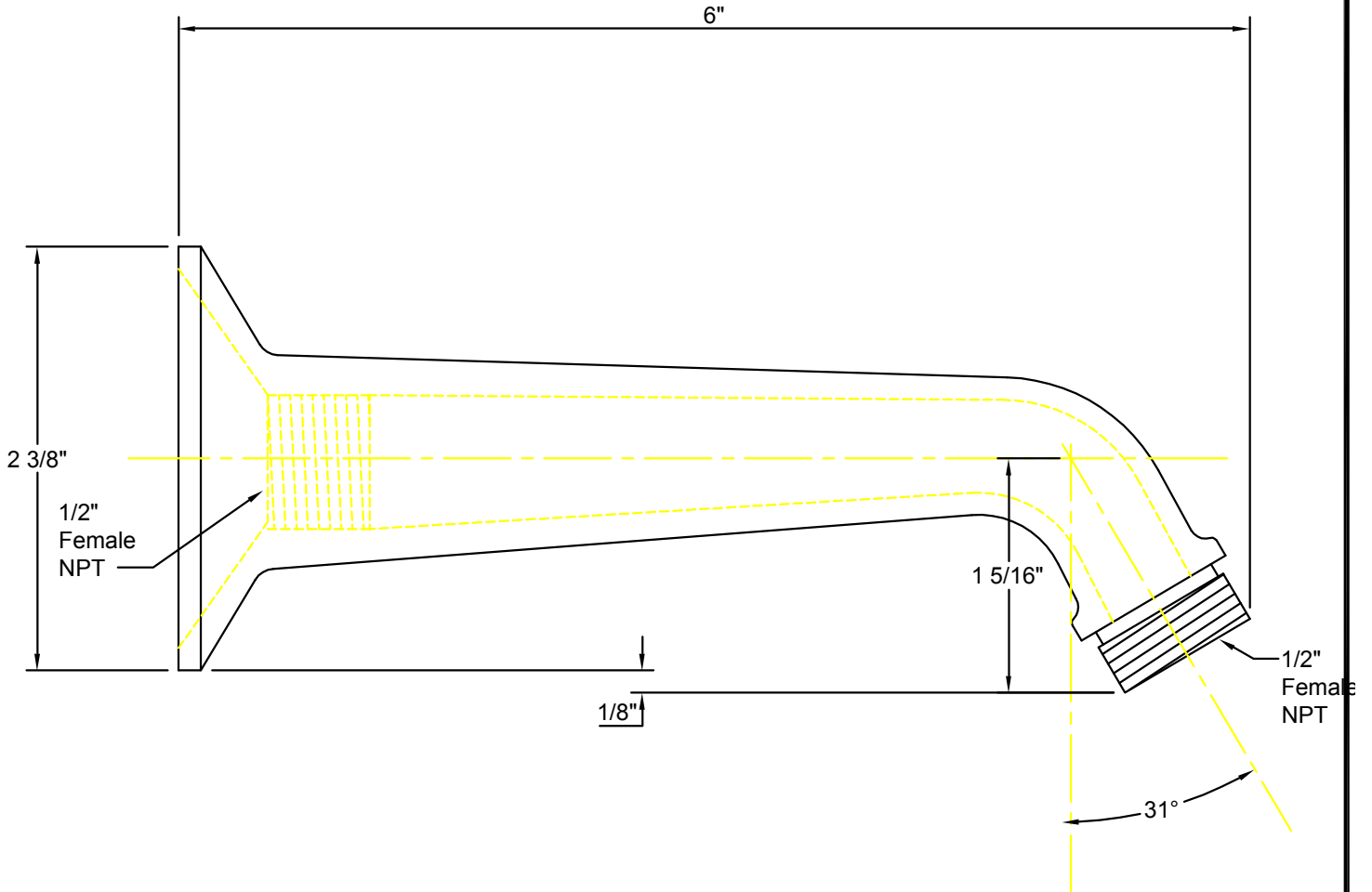
## Codes/Standards

Product meets or exceeds the following:

- ASME A112.18.1/CSA B125.1
- CEC (1.8 gpm)
- DOE (2.5, 2.0, & 1.8 gpm)
- Commonwealth of MA
- EPA WaterSense Showerhead (2.0 gpm)



**IMPORTANT:**  
All dimensions are + or -



  
**California Faucets**<sup>®</sup>  
info@calfaucets.com  
www.calfaucets.com

<b>FIXTURE:</b> <b>One Piece 6" Shower Arm</b>	
<b>MODEL #:</b> SH-01.6	
<b>DWG NO:</b>	<b>REV:</b>

<b>REVISIONS</b>	<b>REV DATE</b>	<b>STARTING DATE:</b>
		<b>APPRVD DATE:</b>
		<b>APPRVD BY:</b>
		<b>SCALE:</b> None
		<b>DRAWN BY:</b> William Linares william@calfaucets.com



California Faucets®

# Handshower

4-1/16" BRASS MULTI-FUNCTION HANDSHOWER

## Features

- 1/2" MIP inlet
- 3 function handshower: rain, air, & massage
- Self-cleaning rubber jets
- All brass body with knurled accents
- 4-1/16" diameter, gray face
- Replace .FR with desired max flow rate:
  - HS-083-30K.25 for 2.5 gpm
  - HS-083-30K.20 for 2.0 gpm
  - HS-083-30K.18 for 1.8 gpm
- Over 28 finishes including 13 PVD finishes

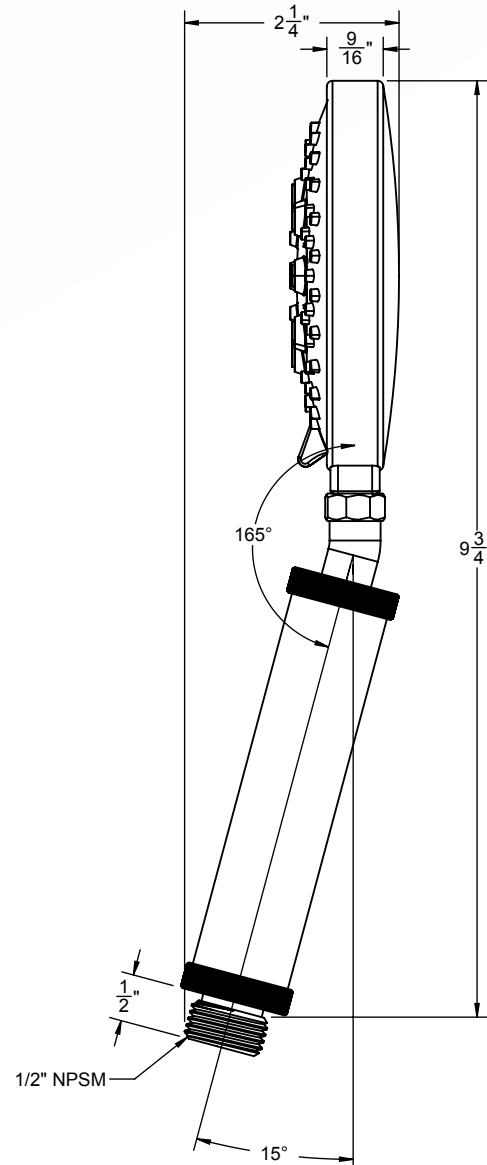
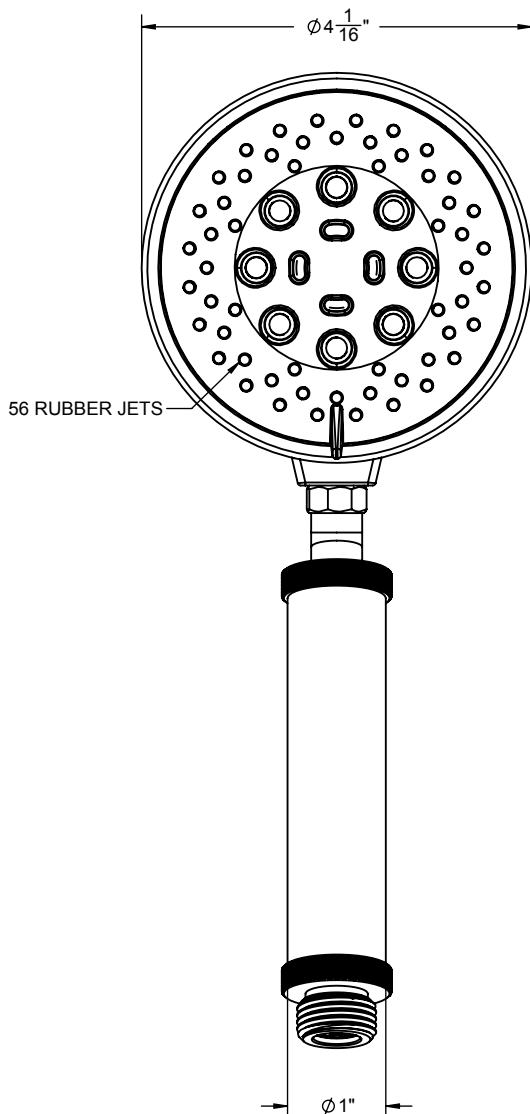
HS-083-30K.25  
 HS-083-30K.20  
 HS-083-30K.18



## Codes/Standards Applicable

Product meets or exceeds the following:

- ASME A112.18.1/CSA B125.1
- CEC (1.8 gpm)
- DOE (1.8, 2.0 & 2.5 gpm)
- Commonwealth of MA
- EPA WaterSense (2.0 gpm)



SPECIFICATIONS SUBJECT TO CHANGE WITHOUT NOTICE

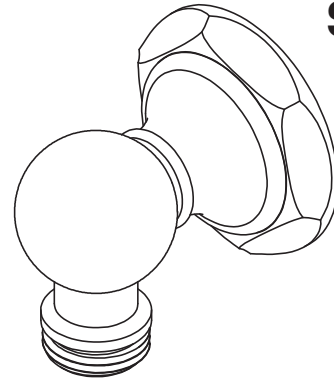
ALL DIMENSIONS SHOWN TO NEAREST 1/16"



### Features

- Over 30 finishes including 14 PVD finishes
- Solid brass construction
- 1/2" NPT (female) inlet connection
- 1/2" NPSM (male) outlet connection

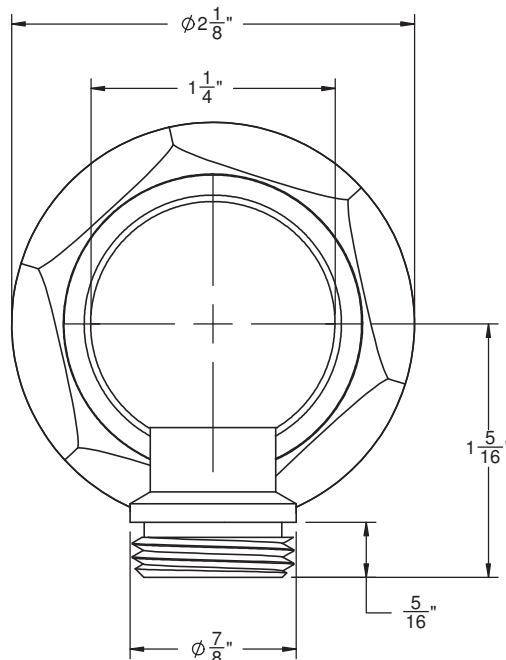
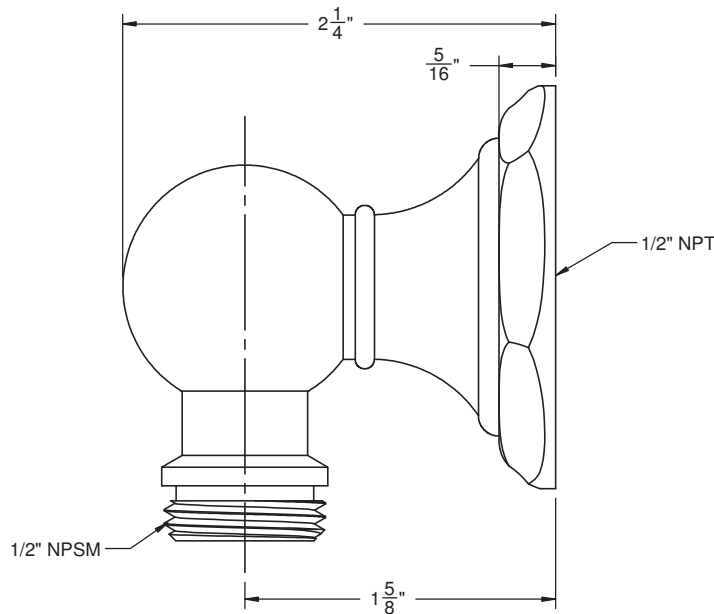
### SH-10-47



### Codes/Standards Applicable

Meets or exceeds the following at date of manufacture:

- ASME A112.18.1/CSA B125.1



ALL DIMENSIONS SHOWN TO NEAREST 1/16"



### Features

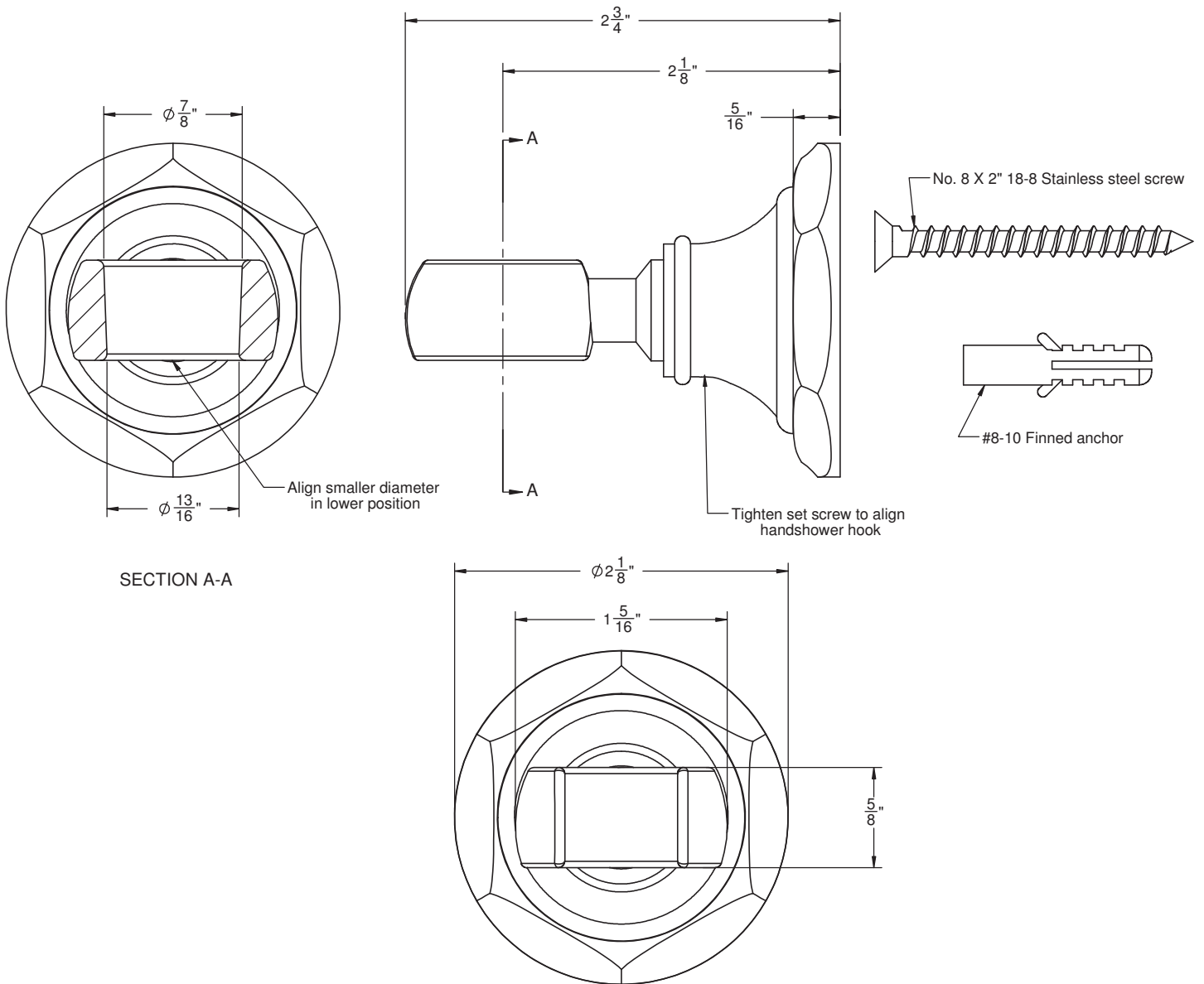
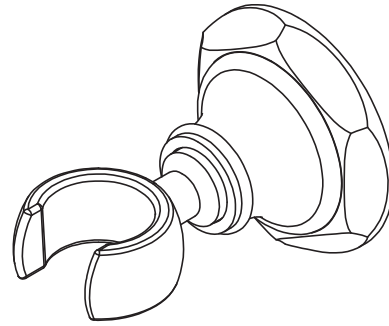
- Over 30 finishes including 14 PVD finishes
- Solid brass construction
- All mounting hardware included
- Accepts most conical handshower hoses

### Codes/Standards Applicable

Meets or exceeds the following at date of manufacture:

- ASME A112.18.1/CSA B125.1

# SH-20-47





California Faucets®

# Handshower

HANDSHOWER HOSE

## Features

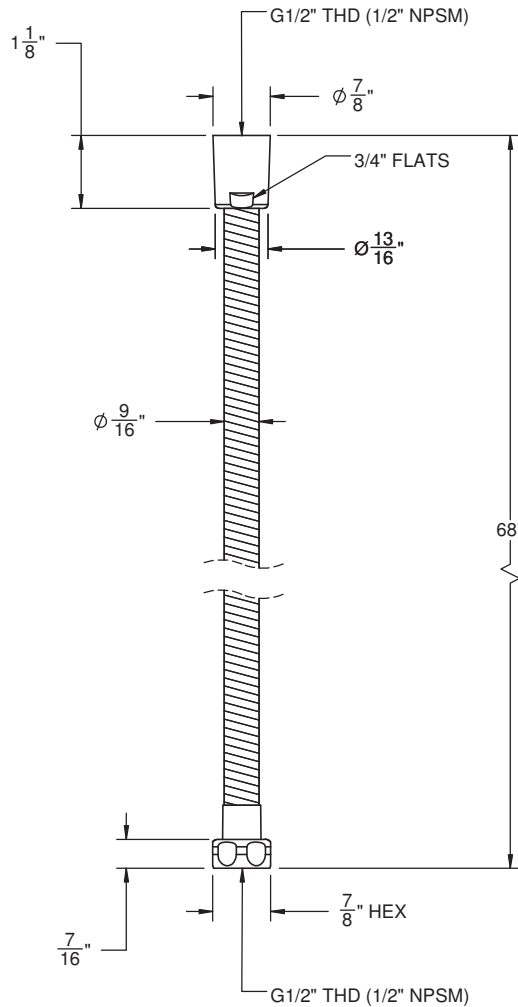
- 1/2" FIP inlet
- 1/2" FIP outlet
- Double spiral out hose for added strength
- Solid brass construction
- Over 30 finishes include 16 PVD finishes

## Codes/Standards Applicable

Meets or exceeds the following at date of manufacture:

- ASME A112.18.1/CSA B125.1

HS-68



ALL DIMENSIONS SHOWN TO NEAREST 1/16"