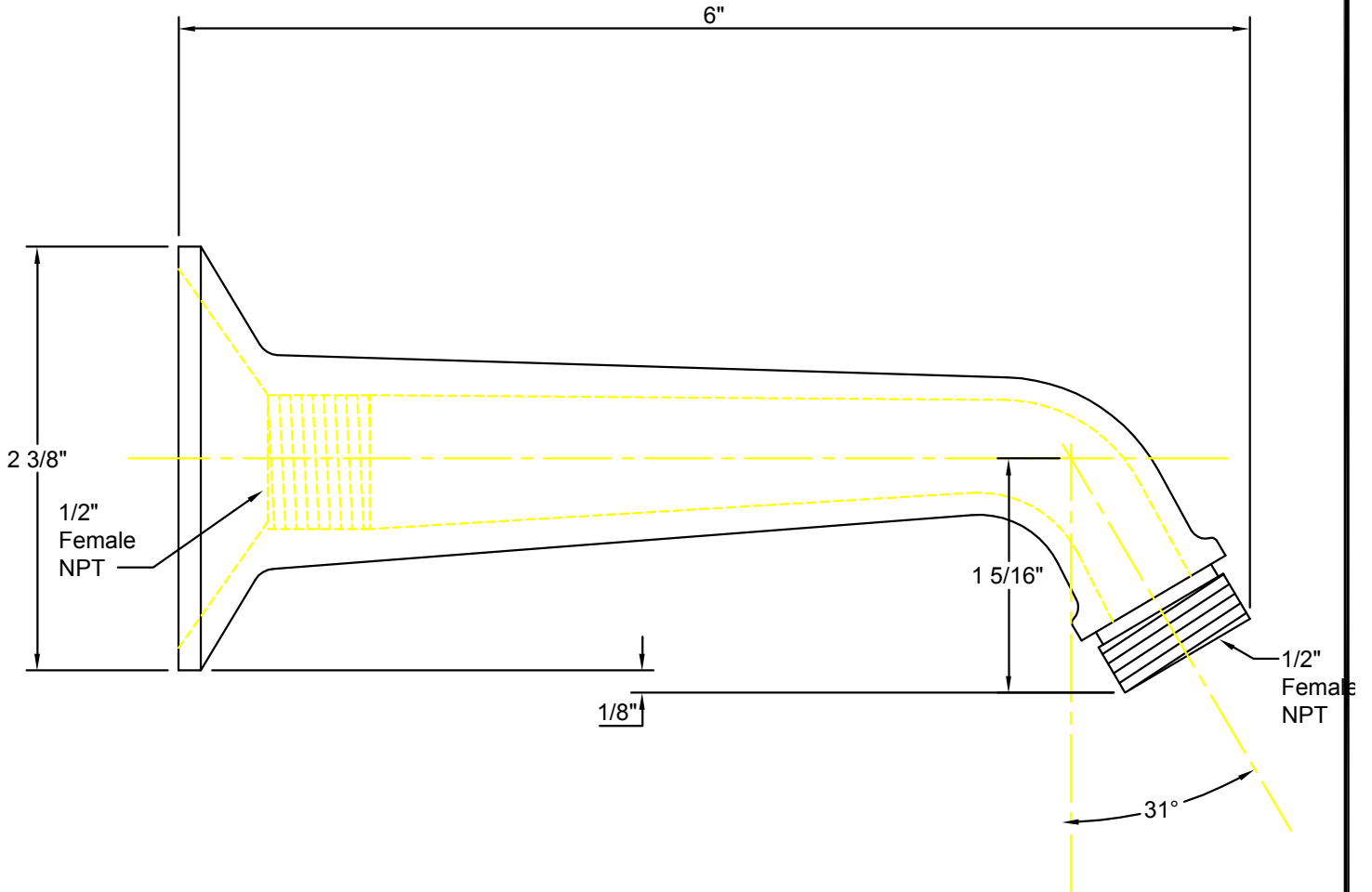


**IMPORTANT:**  
All dimensions are + or -



  
**California Faucets®**  
info@calfaucets.com  
www.calfaucets.com

**FIXTURE:**  
**One Piece 6" Shower Arm**

**MODEL #:** SH-01.6

**DWG NO:** .

**REV:**

REVISIONS	REV DATE	STARTING DATE:
		APPRVD DATE:
		APPRVD BY:
		SCALE: None
		DRAWN BY: William Linares william@calfaucets.com



California Faucets®

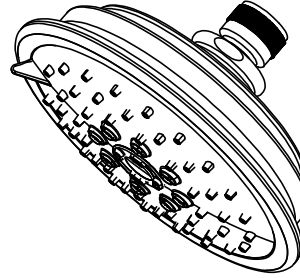
# SHOWERHEAD

5-5/8" MULTI-FUNCTION TRADITIONAL

## Features

- 1/2" FIP inlet
- 3 function: rain, air & massage
- Self-cleaning rubber jets
- Solid brass pivot ball & body
- 5-5/8" diameter, gray face
- Over 30 finishes including 15 PVD finishes
- Replace .FR with desired max flow rate:  
SH-073.25 for 2.5 gpm  
SH-073.20 for 2.0 gpm  
SH-073.18 for 1.8 gpm

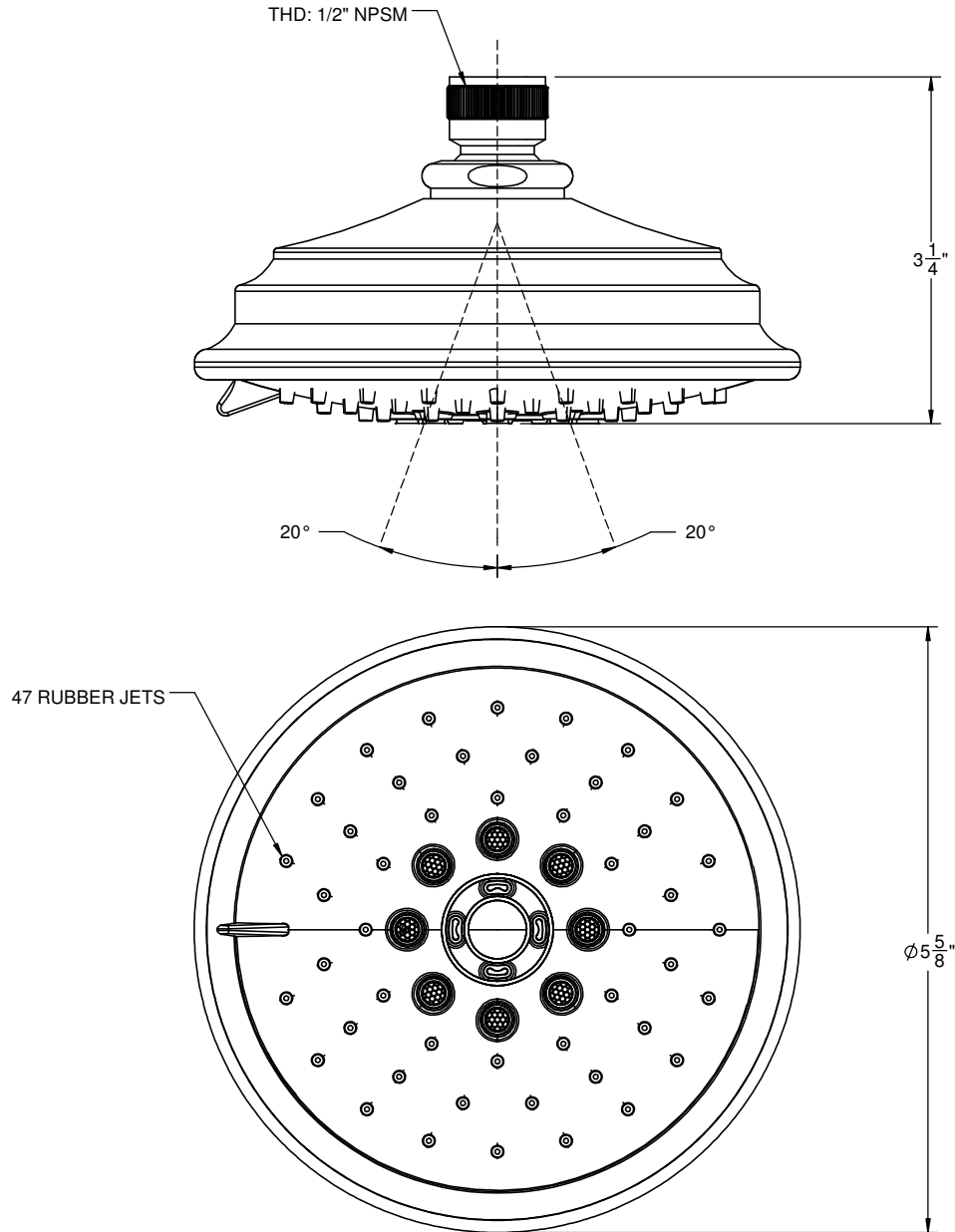
SH-073.25  
SH-073.20  
SH-073.18



## Codes/Standards

Product meets or exceeds the following:

- ASME A112.18.1/CSA B125.1
- CEC (1.8 gpm)
- DOE (2.5, 2.0, & 1.8 gpm)
- Commonwealth of MA
- EPA WaterSense Showerhead (2.0 gpm)





California Faucets®

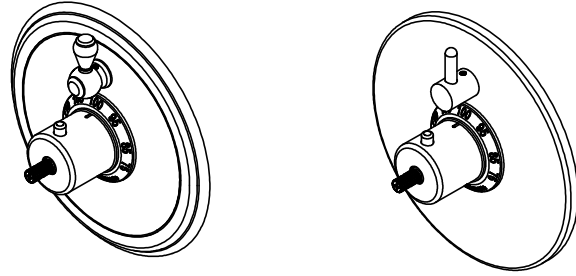
# StyleTherm®

## 1/2" Thermostatic Valve w/ Single Volume Control Trim Only

### Features

- Over 30 finishes including 12 PVD finishes
  - All brass construction
  - Contemporary or traditional faceplate
  - Engraved brass temperature ring
  - 100°F safety stop button with manual override
  - Contemporary or traditional volume control handle
  - Handles to match all California Faucets series
- See [www.calfaucets.com](http://www.calfaucets.com) for complete selection

### TO-TH1L-XX



### Codes/Standards Applicable

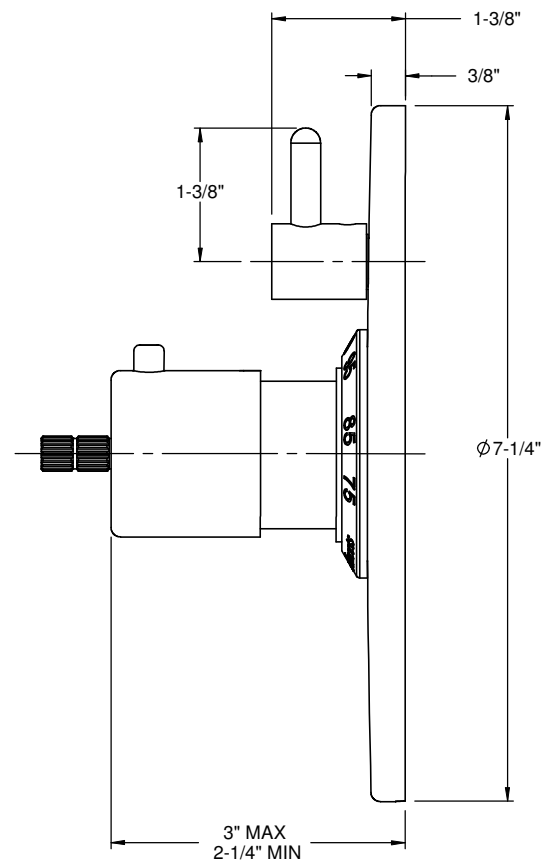
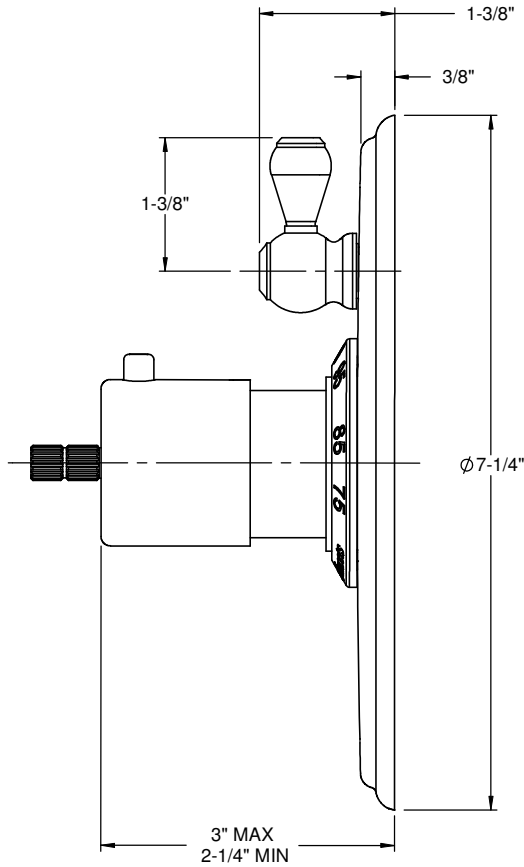
Specified model meets or exceeds the following:

- ASME A112.18.1-2005/CSA B125.1-05
- ASSE 1016
- ADA (with lever handles)
- Listed IAPMO/C UPC®

XX = Series Handle

### Traditional Faceplate

### Contemporary Faceplate



ALL DIMENSIONS SHOWN TO NEAREST 1/16"