



California Faucets®

Descanso Works®

Culinary Kitchen Faucet

Features

- Available in 28 finishes including 13 PVD finishes
- Brass construction with closed coil stainless steel spring
- 360° rotating arm with magnetic sprayhead docking
- One button control for aerated or spray stream
- Spray jets have easy-to-clean surface
- Ceramic disc cartridge
- Max flow rate: 1.8 gpm (6.8 L/min)

K81-150-BL
K81-150F-BL



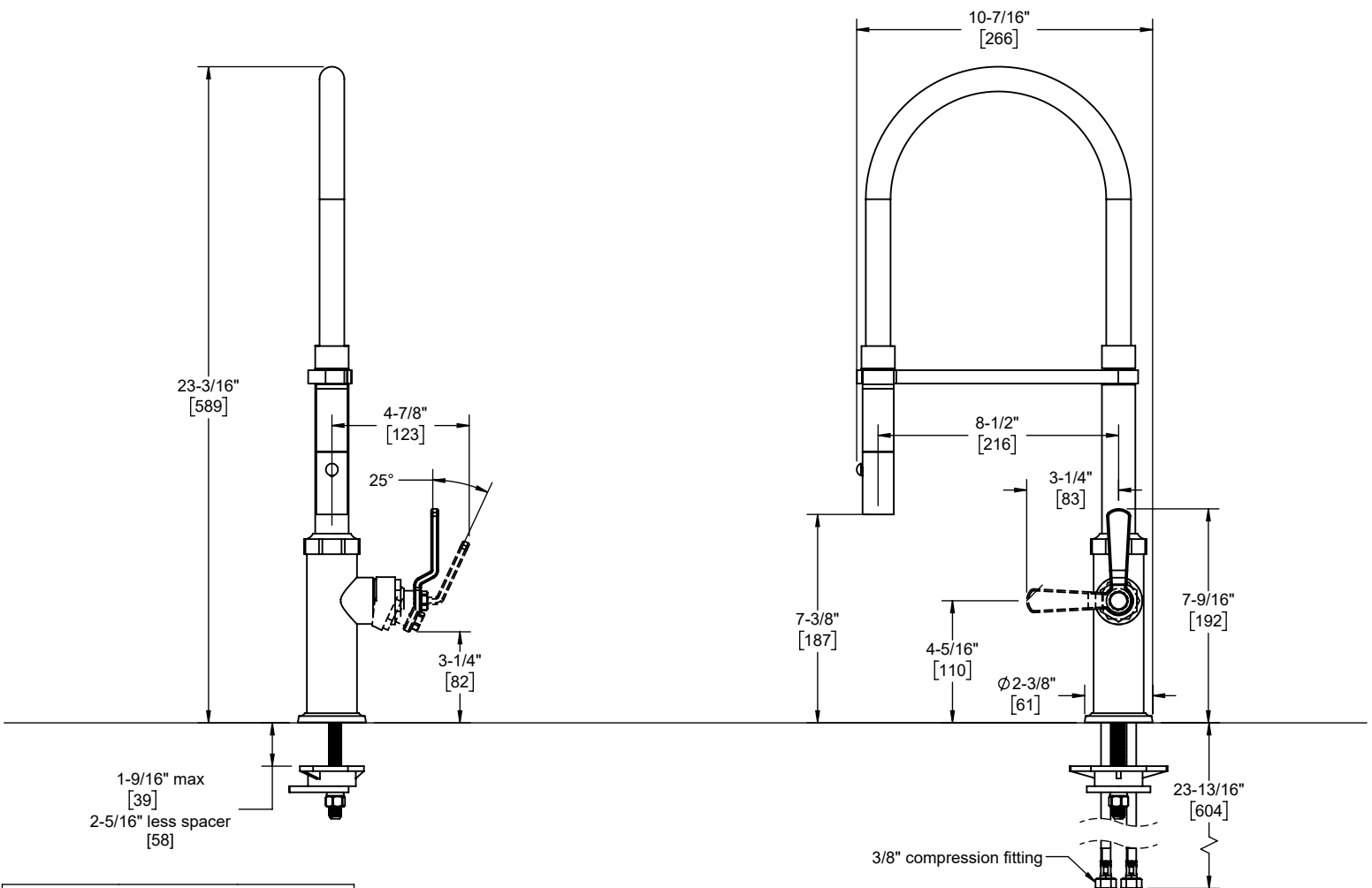
K81-150-BL-ZZ shown



Codes/Standards Applicable

Product meets or exceeds the following:

- ASME A112.18.1/CSA B125.1
- NSF 61, NSF 372, CEC, & DOE
- Commonwealth of MA
- ADA compliant



Through-Hole Specifications

Min	Recommended	Max
Ø 1-1/4" [32]	Ø 1-3/8" [35]	Ø 1-3/8" [38]

Specifications subject to change without notice

Dimensions are inches, rounded to 1/16"
[Dimensions in brackets are mm, rounded to 1mm]