



Features

- Available in 28 finishes including 13 PVD finishes
- All brass construction including sprayhead
- 360° rotating spout with magnetic sprayhead docking
- One button control for aerated or spray stream
- Spray jets have easy-to-clean surface
- Quiet polymer-braided hose with rotating joint
- Ceramic disc cartridge
- Max flow rate: 1.8 gpm (6.8 L/min)

Codes/Standards Applicable

Product meets or exceeds the following:

- ASME A112.18.1/CSA B125.1
- NSF 61, NSF 372, CEC, & DOE
- Commonwealth of MA
- ADA compliant

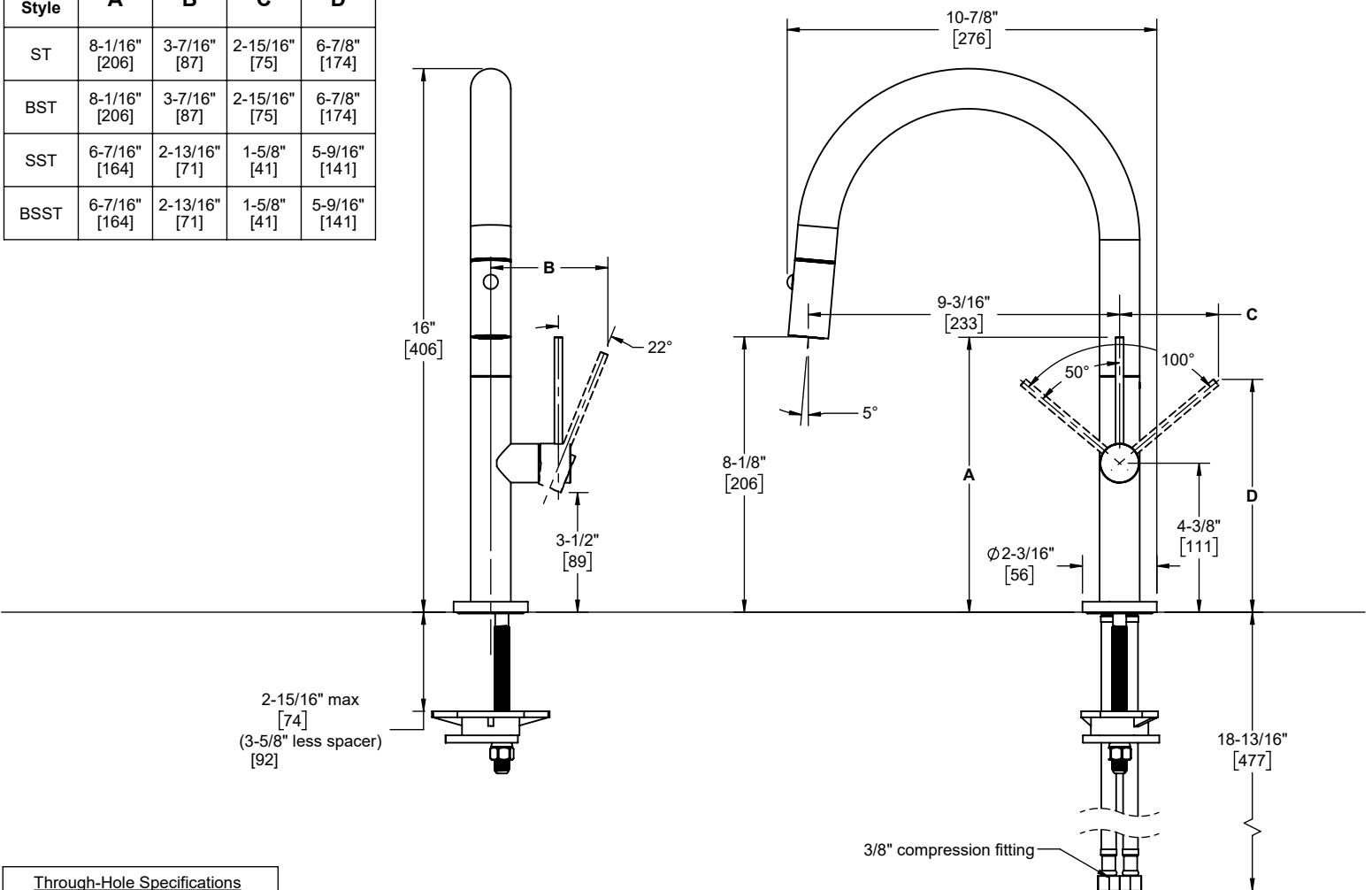


K50-102-ST-SN shown



XX = Denotes handle style

| Handle Style | A | B | C | D |
|--------------|------------------|------------------|------------------|------------------|
| ST | 8-1/16" [206] | 3-7/16" [87] | 2-15/16" [75] | 6-7/8" [174] |
| BST | 8-1/16" [206] | 3-7/16" [87] | 2-15/16" [75] | 6-7/8" [174] |
| SST | 6-7/16" [164] | 2-13/16" [71] | 1-5/8" [41] | 5-9/16" [141] |
| BSST | 6-7/16" [164] | 2-13/16" [71] | 1-5/8" [41] | 5-9/16" [141] |



| Through-Hole Specifications | | |
|-----------------------------|------------------|-------------------|
| Min | Recommended | Max |
| ∅ 1-1/4" [32] | ∅ 1-3/8" [35] | ∅ 1-9/16" [40] |