



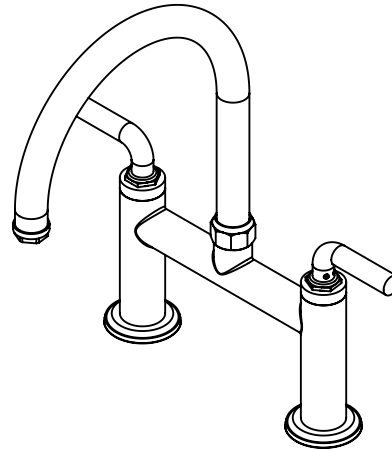
**Features**

- 25+ artisanal finishes including 12 PVD finishes
- All brass construction
- Spout rotates 360°
- 3-hole deck mount installation
- Built-in diverter for sidespray
- Insulated brass sidespray handle and trigger
- Mixed water supplied to sidespray without separate valve
- Flexible braided hoses for ease of installation
- 1/4 turn ceramic disc cartridge(s)
- 1.8 gpm (6.8 L/min) max flow rate

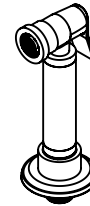
**Codes/Standards Applicable**

Product meets or exceeds the following:

- ASME A112.18.1/CSA B125.1
- NSF 61, NSF 372, CEC & DOE
- Commonwealth of MA
- ADA compliant (with lever handles)



K30-120S-SL-ZZ shown



- K30-120S-SL
- K30-120S-FL
- K30-120S-KL
- K30-120S-TL
- K30-120S-SX
- K30-120S-FX
- K30-120S-KX
- K30-120S-TX

