



California Faucets®

StyleFlow™ GEO

4-3/4" MULTI-FUNCTION TRANSITIONAL

Features

- 1/2" MIP inlet
- Swiss shower technology™
- 4 functions: rain, air, booster massage & blade
- Self-cleaning rubber jets
- ABS body
- 4-3/4" diameter, gray face
- Replace .FR with desired max flow rate:
 HS-514.25 for 2.5 gpm
 HS-514.20 for 2.0 gpm
 HS-514.18 for 1.8 gpm

Codes/Standards Applicable

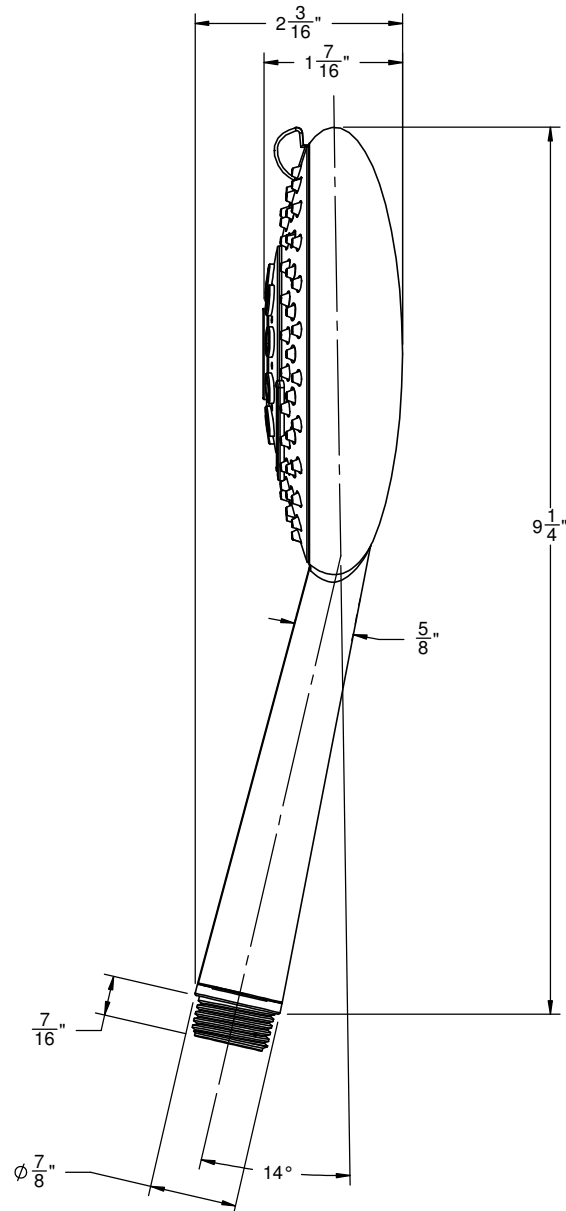
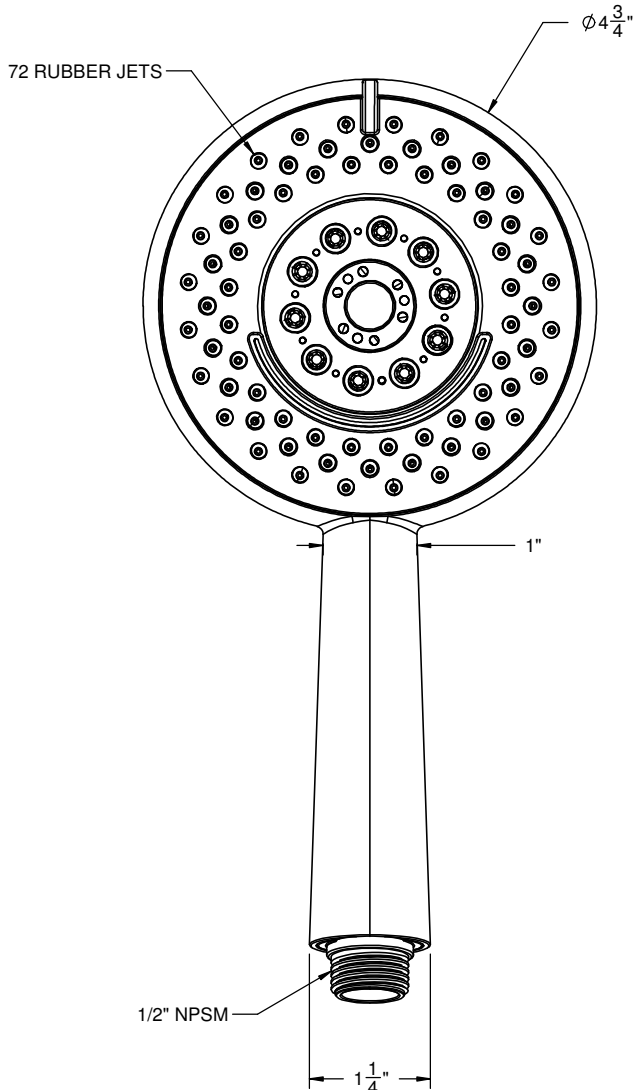
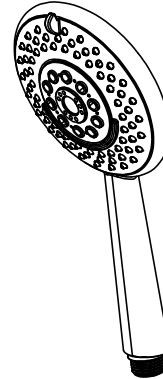
Meets or exceeds the following at date of manufacture:

- ASME A112.18.1/CSA B125.1
- CEC (1.8 gpm)
- DOE (2.5, 2.0, & 1.8 gpm)
- Commonwealth of MA
- EPA WaterSense (2.0 gpm)

HS-514.25

HS-514.20

HS-514.18



SPECIFICATIONS SUBJECT TO CHANGE WITHOUT NOTICE

ALL DIMENSIONS SHOWN TO NEAREST 1/16"