



California Faucets®

# StyleFlow™ IKO

## 4-3/4" MULTI-FUNCTION CONTEMPORARY HANDSHOWER

### Features

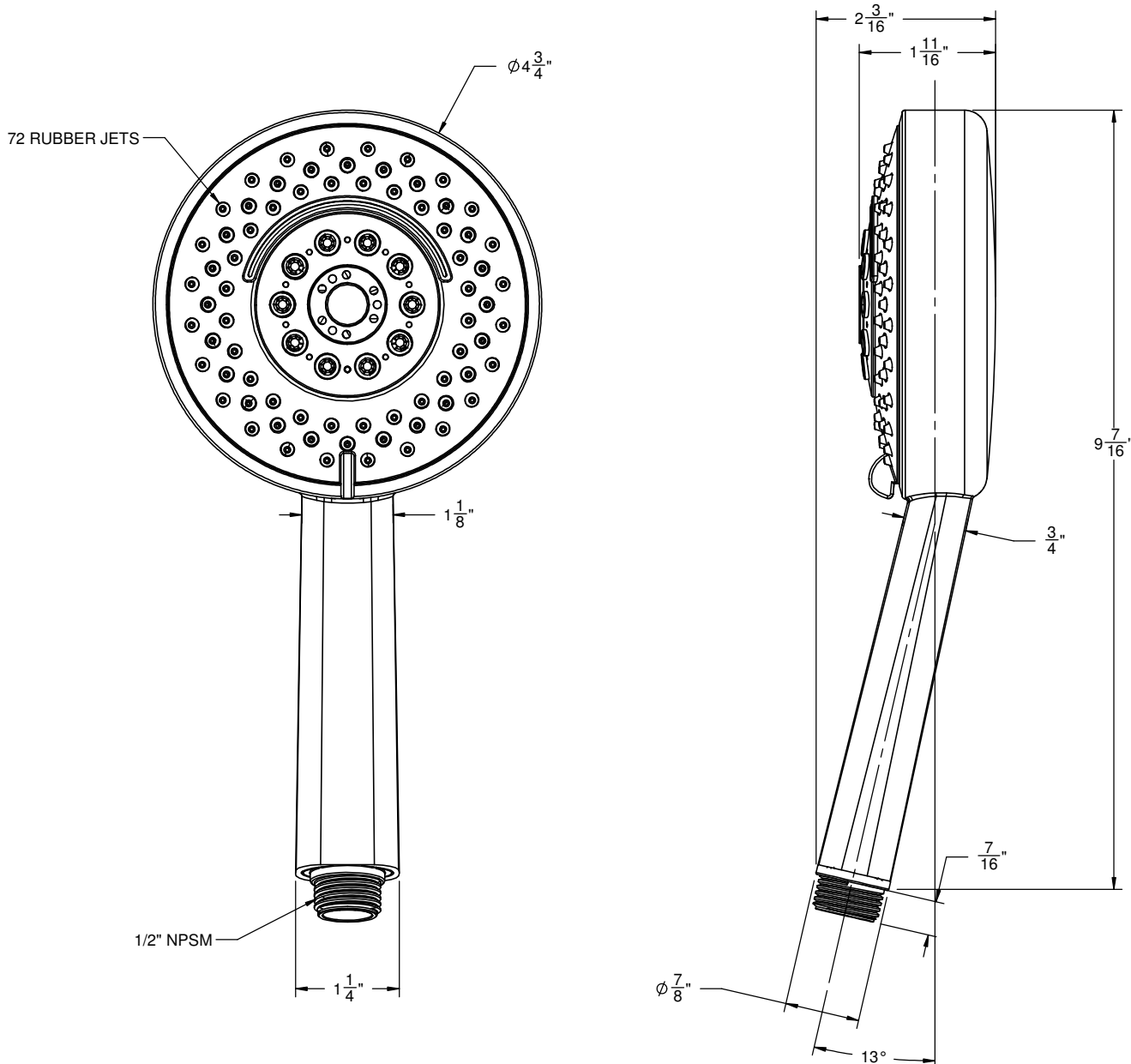
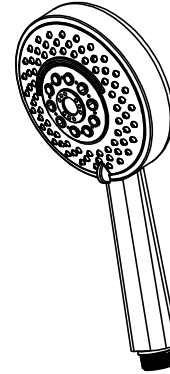
- 1/2" MIP inlet
- Swiss shower technology™
- 4 functions: rain, air, booster massage & blade
- Self-cleaning rubber jets
- ABS body
- 4-3/4" diamter, gray face
- Replace .FR with desired max flow rate:  
     HS-504.25 for 2.5 gpm  
     HS-504.20 for 2.0 gpm  
     HS-504.18 for 1.8 gpm

### Codes/Standards Applicable

Meets or exceeds the following at date of manufacture:

- ASME A112.18.1/CSA B125.1
- CEC (1.8 gpm)
- DOE (2.5, 2.0, & 1.8 gpm)
- Commonwealth of MA
- EPA WaterSense (2.0 gpm)

HS-504.25  
 HS-504.20  
 HS-504.18



SPECIFICATIONS SUBJECT TO CHANGE WITHOUT NOTICE

ALL DIMENSIONS SHOWN TO NEAREST 1/16"