



California Faucets®

StyleFlow™ IKO

4-3/4" MULTI-FUNCTION CONTEMPORARY HANDSHOWER

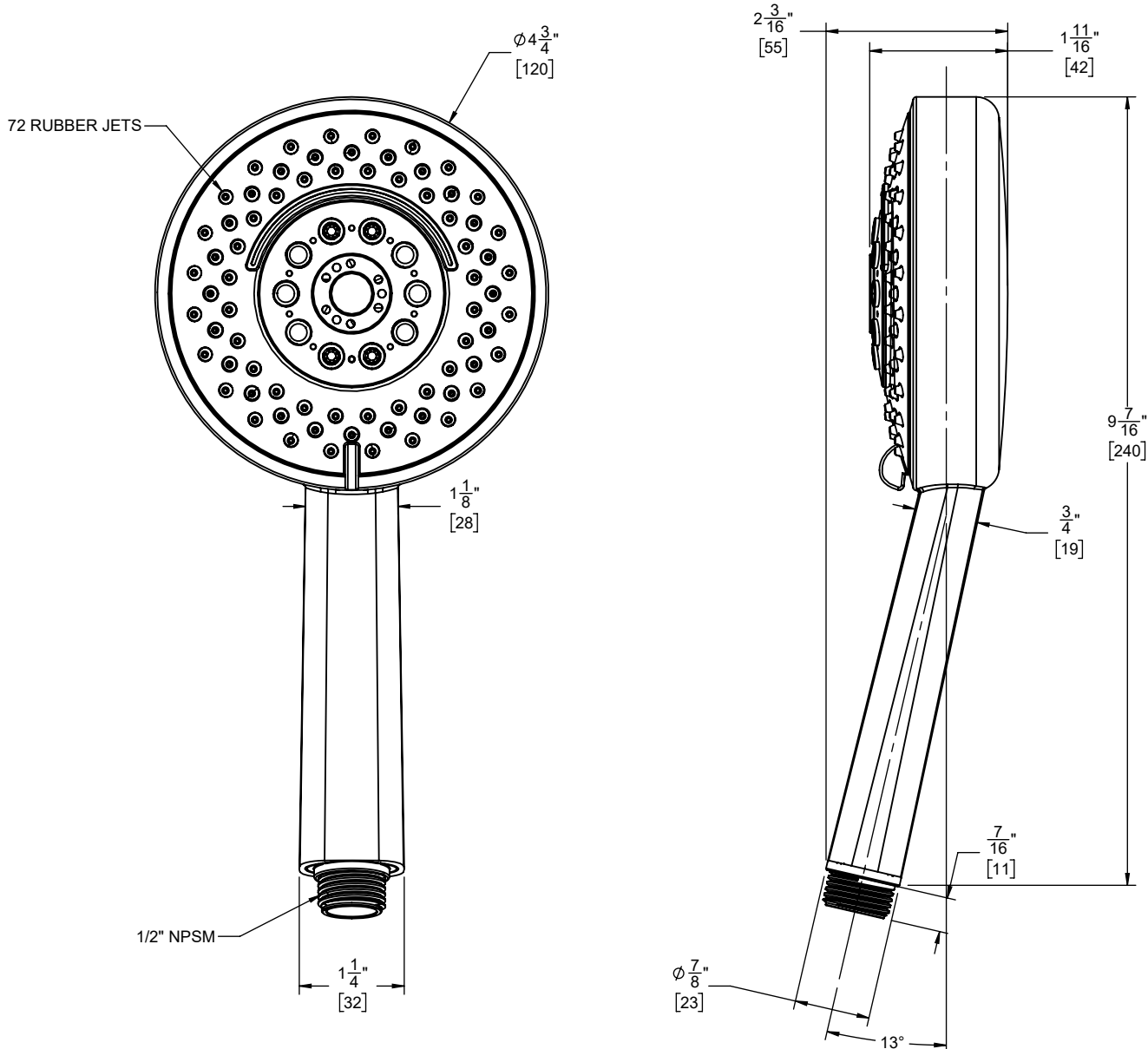
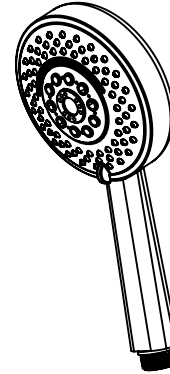
Features

- 1/2" MIP inlet
- Swiss shower technology™
- 4 functions: rain, air, booster massage & blade
- Self-cleaning rubber jets
- ABS body
- 4-3/4" diamter, gray face
- Replace .FR with desired max flow rate:
 HS-504.25 for 2.5 gpm
 HS-504.20 for 2.0 gpm
 HS-504.18 for 1.8 gpm
- Over 28 finishes including 13 PVD finishes

Codes/Standards Applicable

- Product meets or exceeds the following:
- ASME A112.18.1/CSA B125.1
 - CEC (1.8 gpm)
 - DOE (1.8, 2.0, & 2.5 gpm)
 - Commonwealth of MA
 - EPA WaterSense (2.0 gpm)

HS-504.25
 HS-504.20
 HS-504.18



SPECIFICATIONS SUBJECT TO CHANGE WITHOUT NOTICE

ALL DIMENSIONS SHOWN TO NEAREST 1/16"
[ALL DIMENSIONS SHOWN TO NEAREST 1MM]