



Features

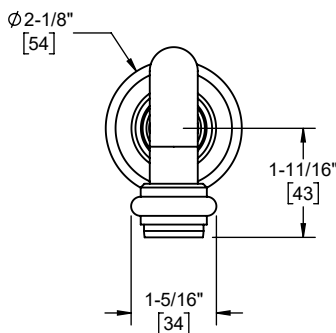
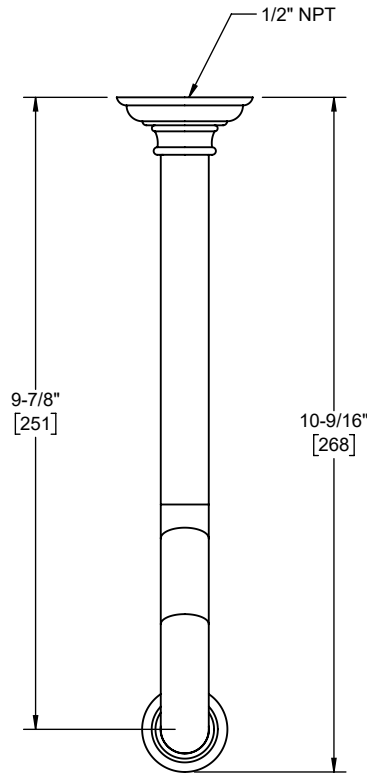
- Available in 27 finishes including 12 PVD finishes
- All brass construction
- Max flow rate: 16gpm at 60 psi
- For use with StyleTherm, PB2-R, 3-VR or 2-VR



Codes/Standards Applicable

Product meets or exceeds the following:

- ASME A112.18.1/CSA B125.1



Through-Hole Specifications		
Min	Recommended	Max
Ø 1" [25]	Ø 1-1/4" [32]	Ø 1-9/16" [40]