



California Faucets®

Arpeggio™

WALL LAVATORY

CF-TO-VE402-7

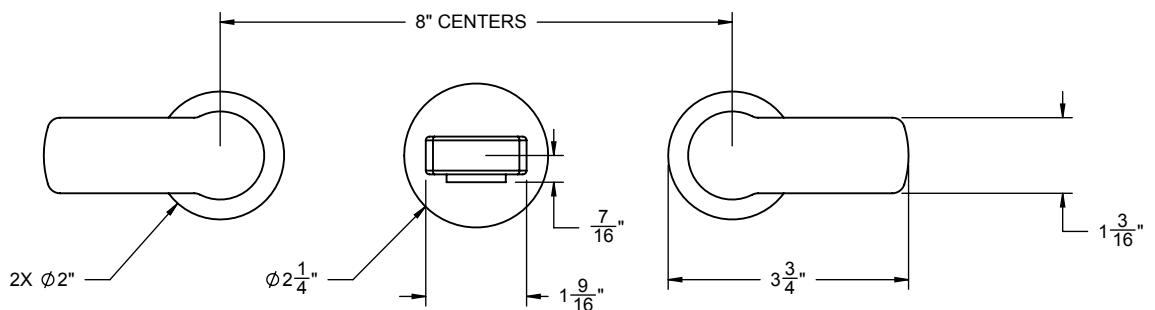
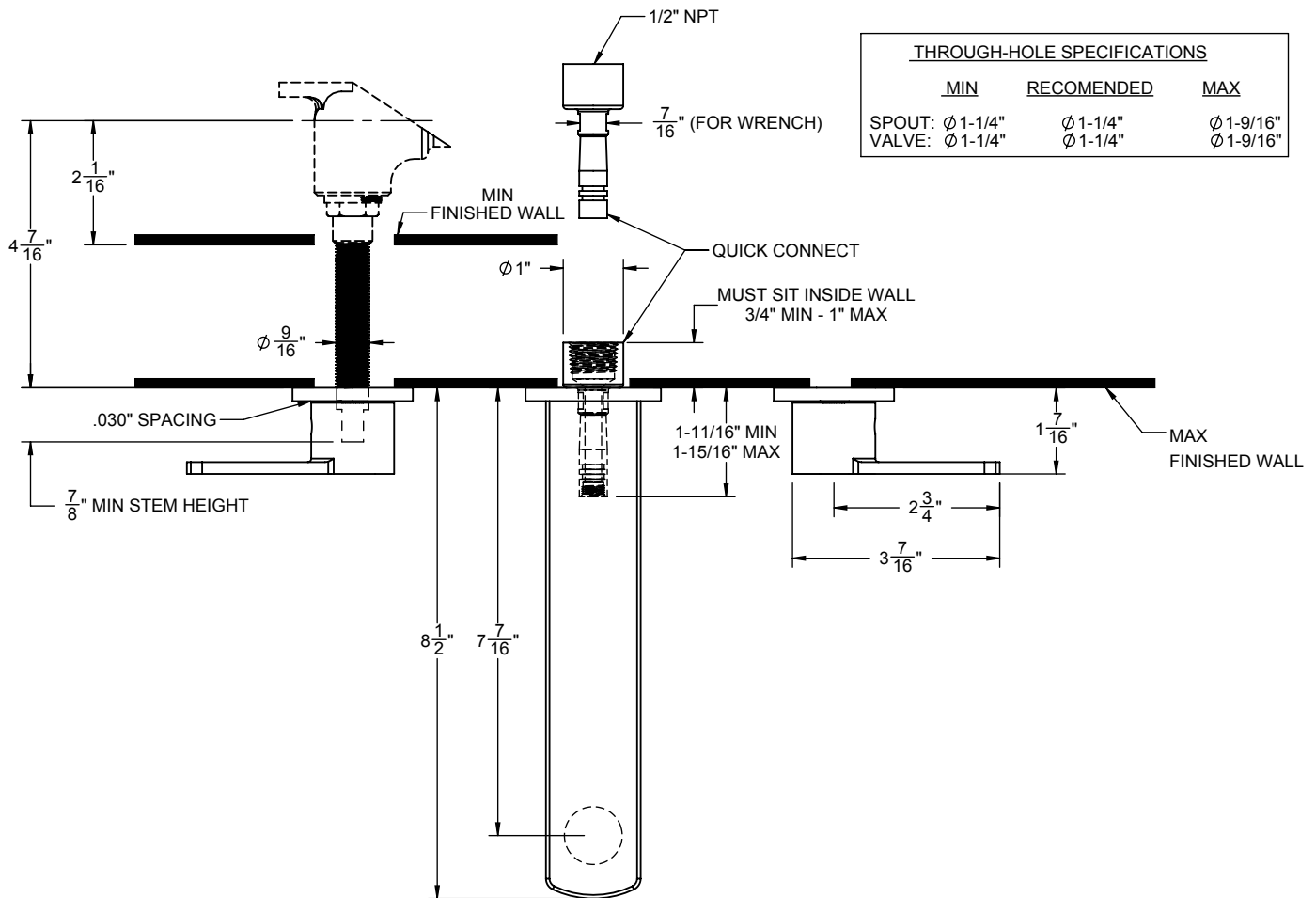
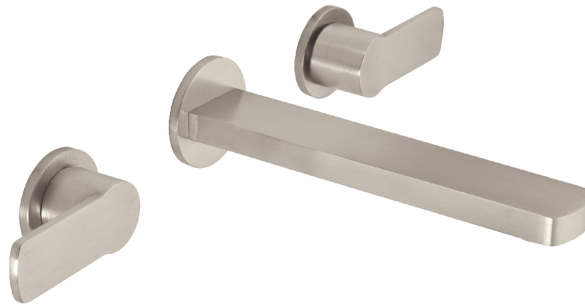
Features

- 7-7/16" spout to center
- 1.2 gpm (4.5 L/m) max flow rate
- Rough valve (CF-VL-R) sold separately
- All brass construction
- Over 30 finishes including 15 PVD finishes

Codes/Standards Applicable

Meets or exceeds the following:

- ASME A112.18.1/CSA B125.1
- NSF/ANSI 61 & NSF/ANSI 372
- CEC / DOE
- EPA WaterSense High Efficiency Lavatory
- Commonwealth of MA
- ADA compliant



SPECIFICATIONS SUBJECT TO CHANGE WITHOUT NOTICE

ALL DIMENSIONS SHOWN TO NEAREST 1/16"