



California Faucets®

# Bel Canto™

## WALL LAVATORY

### CF-TO-VE302C-7-77R

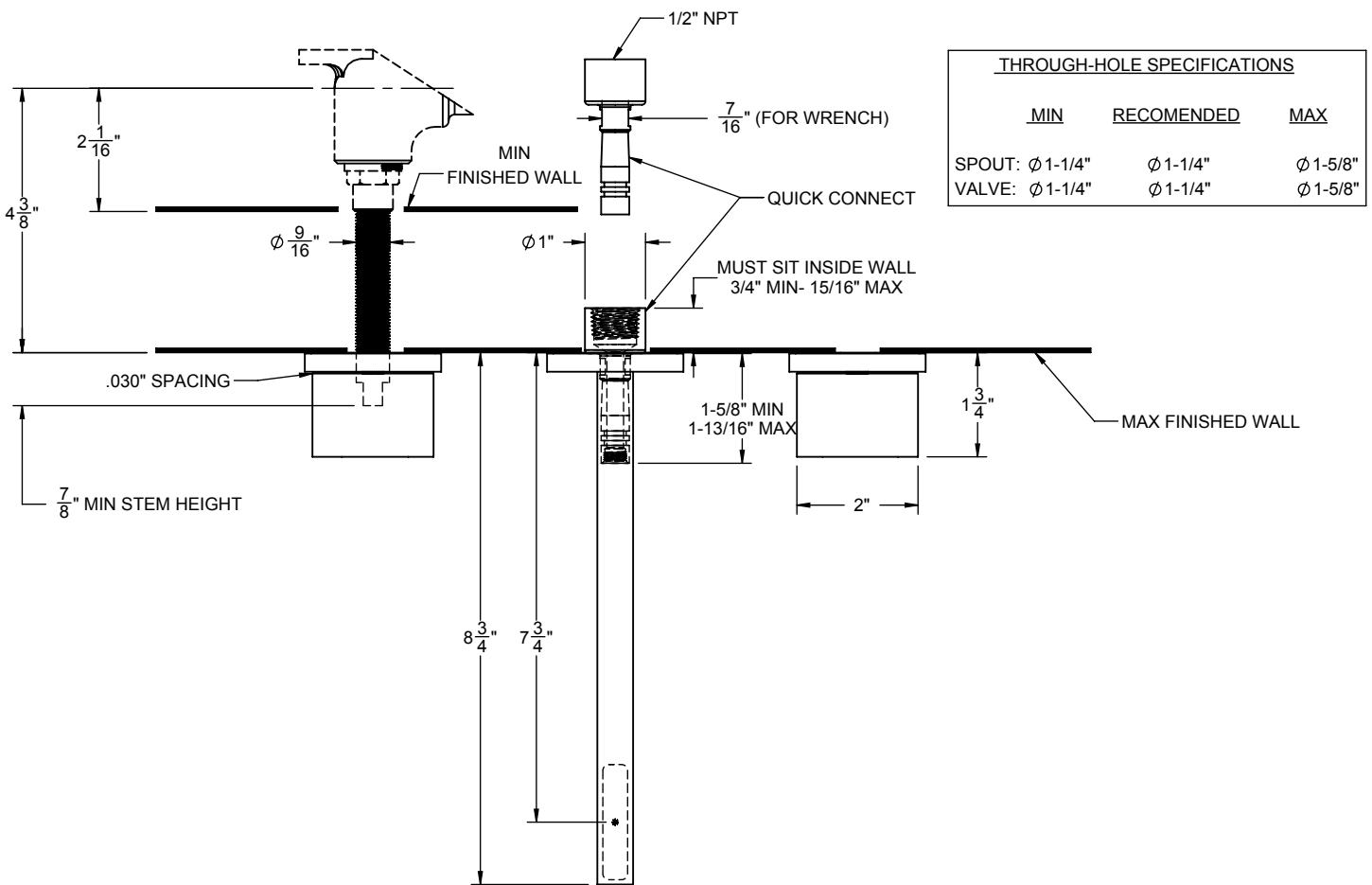
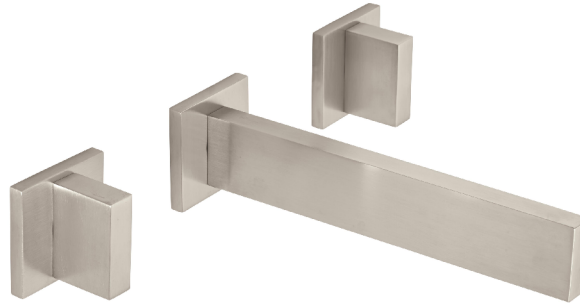
#### Features

- 7-3/4" spout wall to center
- 1.2 gpm (4.5 L/m) max flow rate
- Rough valve (CF-VL-R) sold separately
- All brass construction
- Over 30 finishes including 15 PVD finishes

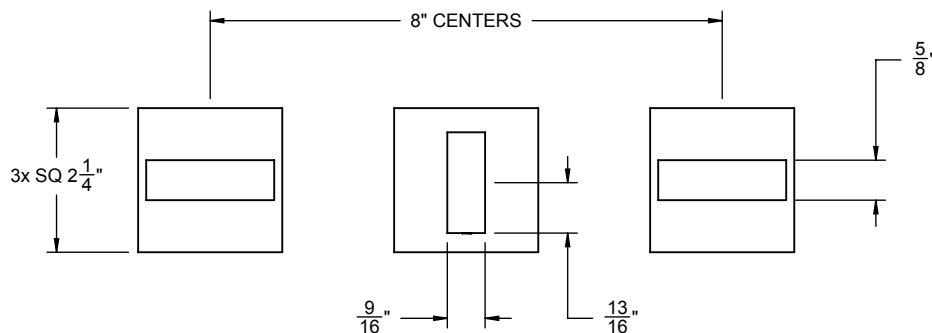
#### Codes/Standards Applicable

Meets or exceeds the following:

- ASME A112.18.1/CSA B125.1
- NSF/ANSI 61 & NSF/ANSI 372
- CEC / DOE
- EPA WaterSense High Efficiency Lavatory
- Commonwealth of MA
- ADA compliant



THROUGH-HOLE SPECIFICATIONS			
	MIN	RECOMENDED	MAX
SPOUT: Ø	1-1/4"	Ø 1-1/4"	Ø 1-5/8"
VALVE: Ø	1-1/4"	Ø 1-1/4"	Ø 1-5/8"



SPECIFICATIONS SUBJECT TO CHANGE WITHOUT NOTICE

ALL DIMENSIONS SHOWN TO NEAREST 1/16"