



California Faucets®

Montara™

WALL LAVATORY

Features

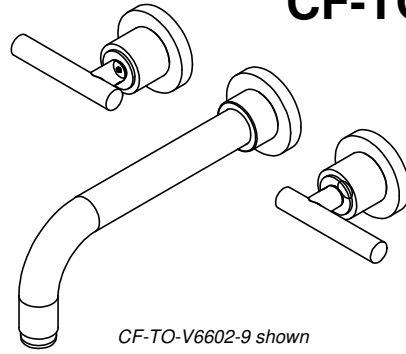
- 1.2 gpm (4.5 L/min) max flow rate
- Rough valve (CF-VL-R) sold separately
- Solid brass construction
- Over 30 finishes including 15 PVD finishes

Codes/Standards

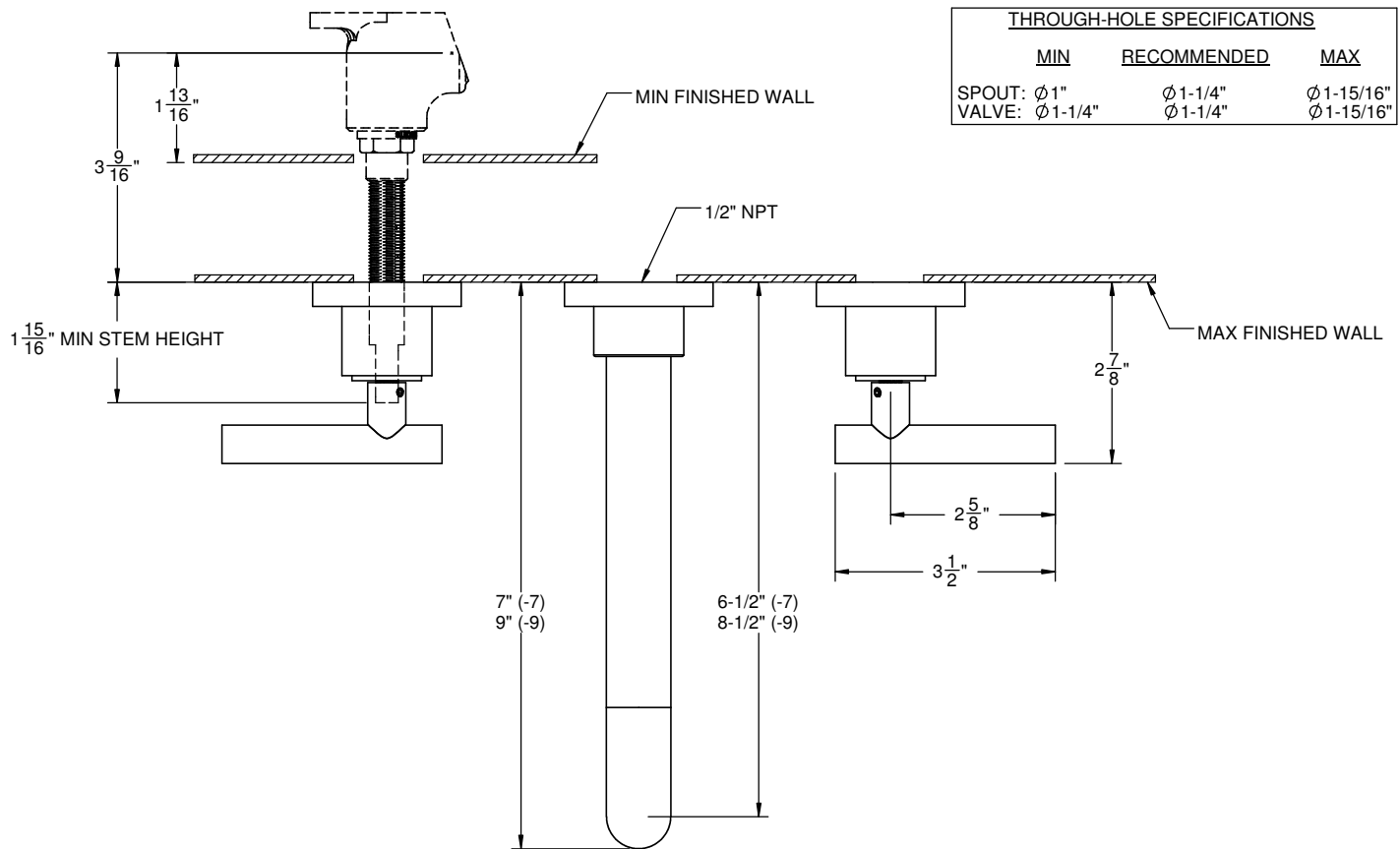
Product meets or exceeds the following:

- ASME A112.18.1/CSA B125.1
- NSF/ANSI 61 & NSF/ANSI 372
- CEC
- ADA compliant

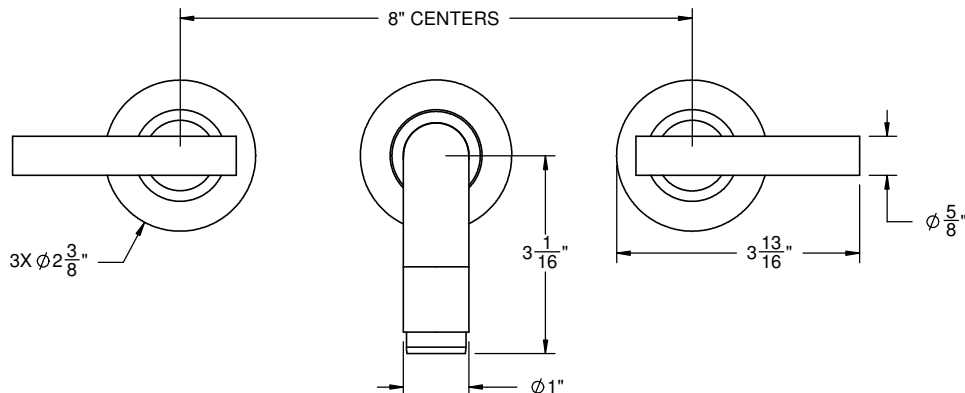
CF-TO-V6602-7/9



CF-TO-V6602-9 shown



THROUGH-HOLE SPECIFICATIONS		
MIN	RECOMMENDED	MAX
SPOUT: $\varnothing 1"$	$\varnothing 1-1/4"$	$\varnothing 1-15/16"$
VALVE: $\varnothing 1-1/4"$	$\varnothing 1-1/4"$	$\varnothing 1-15/16"$



ALL DIMENSIONS SHOWN TO NEAREST 1/16"