



California Faucets®

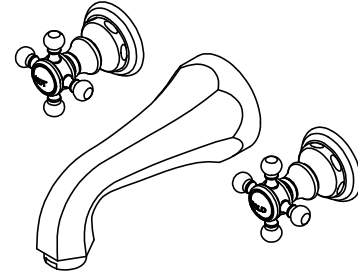
Del Mar™

WALL LAVATORY

CF-TO-V6002-7

Features

- 5-13/16" spout wall to center
- 1.2 gpm (4.5 L/min) max flow rate
- Rough valve (CF-VL-R) sold separately
- Solid brass construction
- Over 30 finishes including 15 PVD finishes



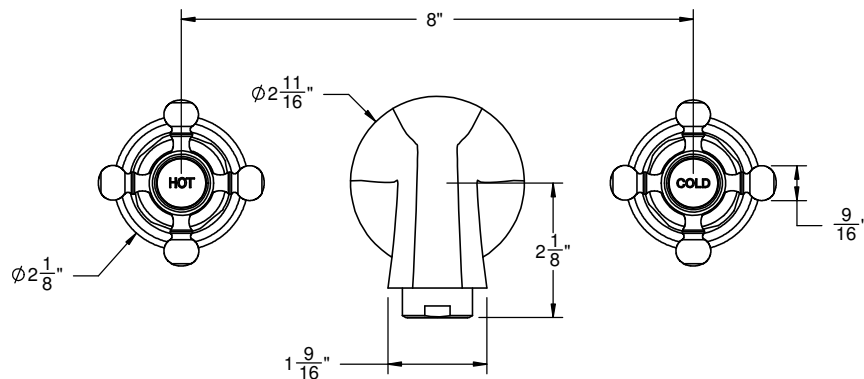
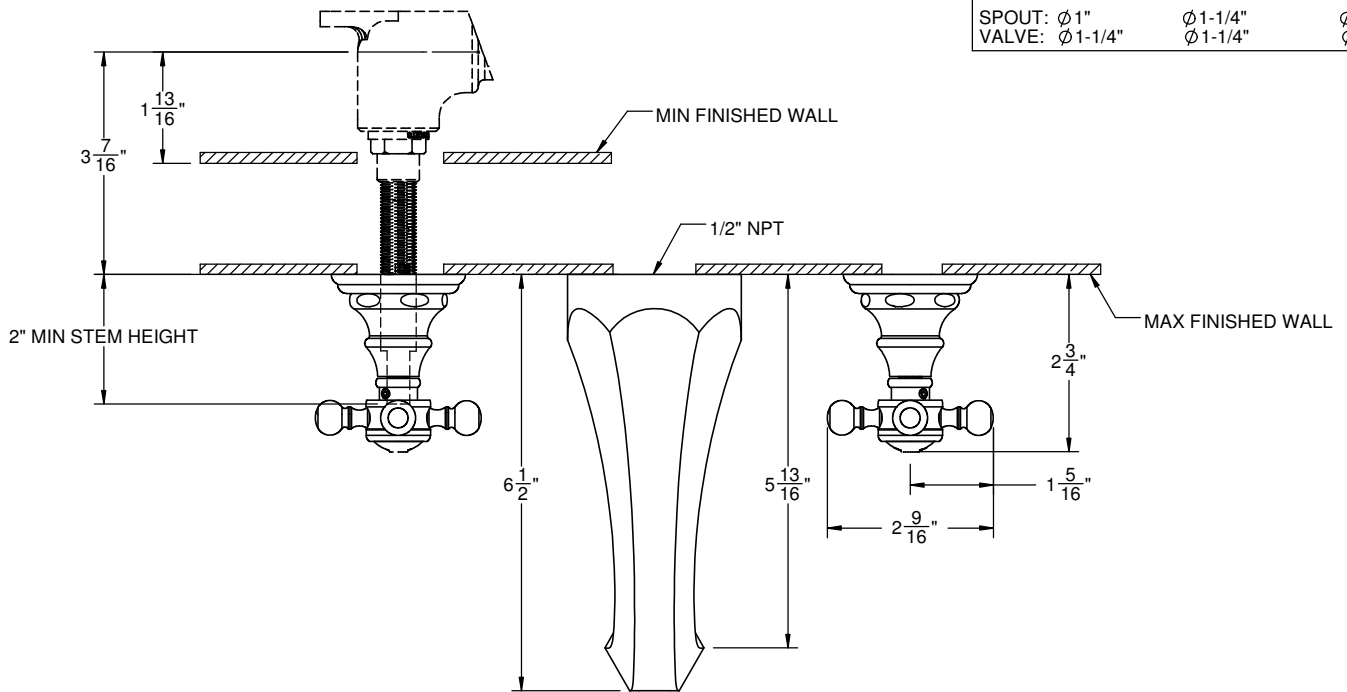
Codes/Standards Applicable

Product meets or exceeds the following:

- ASME A112.18.1/CSA B125.1
- NSF/ANSI 61 & NSF/ANSI 372
- CEC

THROUGH-HOLE SPECIFICATIONS

	MIN	RECOMMENDED	MAX
SPOUT: $\phi$ 1"		$\phi$ 1-1/4"	$\phi$ 2-7/16"
VALVE: $\phi$ 1-1/4"		$\phi$ 1-1/4"	$\phi$ 1-9/16"



ALL DIMENSIONS SHOWN TO NEAREST 1/16"