

California Faucets®

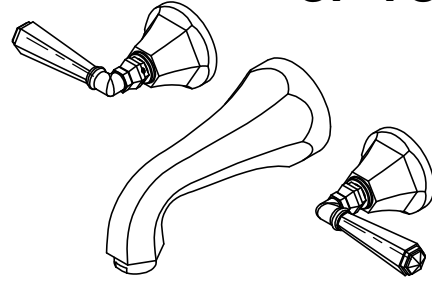
Monterey™

WALL LAVATORY

CF-TO-V4602-7

Features

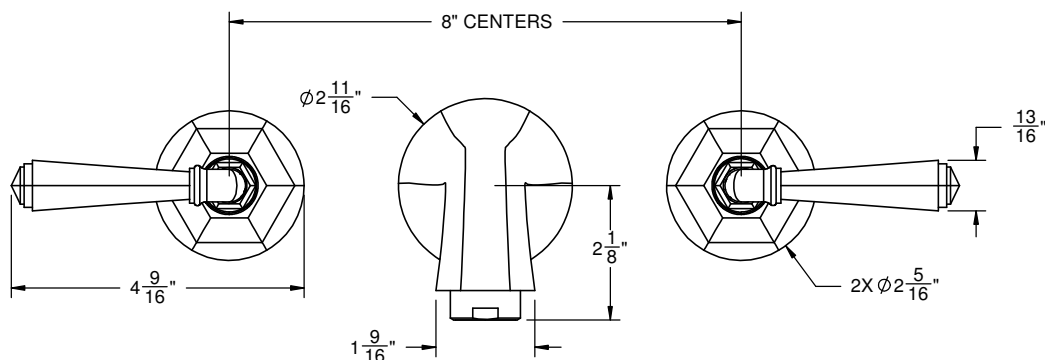
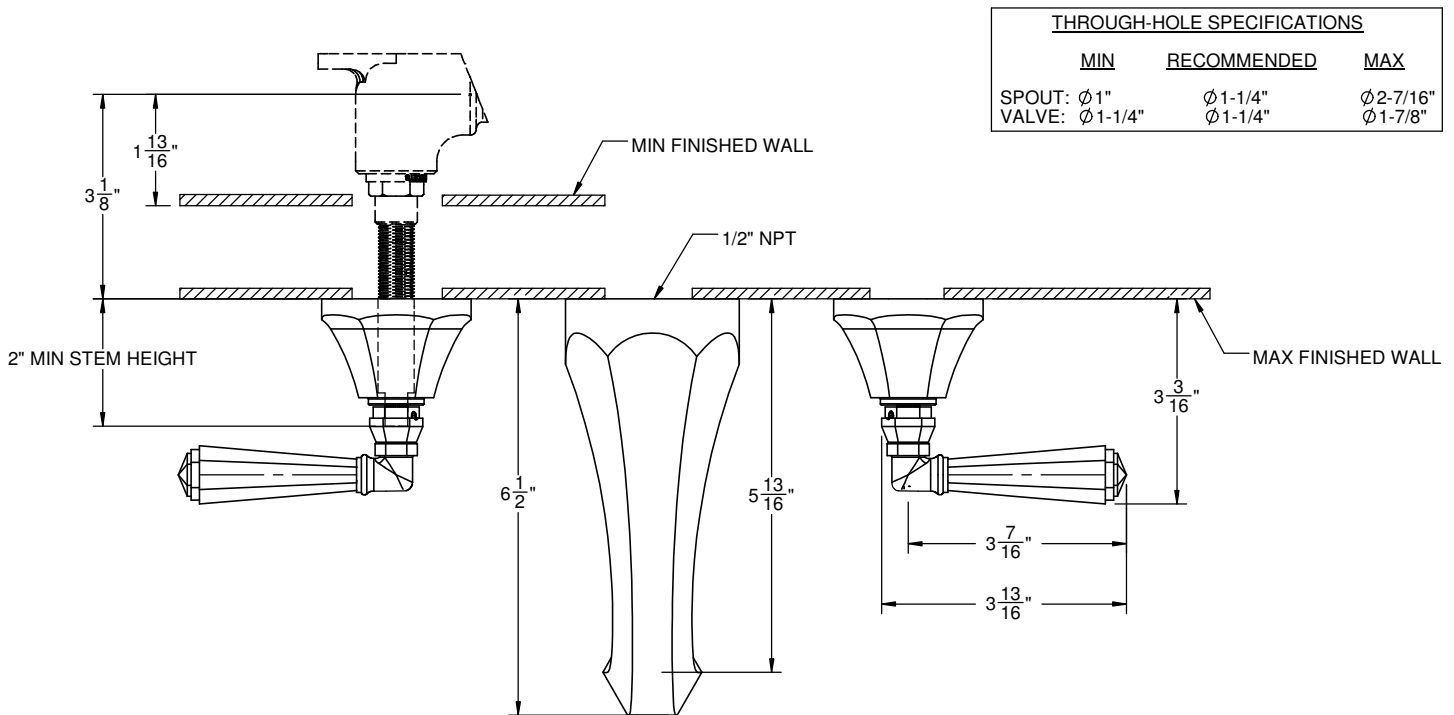
- 5-13/16" spout wall to center
- 1.2 gpm (4.5 L/min) max flow rate
- Rough valve (CF-VL-R) sold separately
- Solid brass construction
- Over 30 finishes including 15 PVD finishes



Codes/Standards Applicable

Product meets or exceeds the following:

- ASME A112.18.1/CSA B125.1
- NSF/ANSI 61 & NSF/ANSI 372
- CEC
- ADA



ALL DIMENSIONS SHOWN TO NEAREST 1/16"