



California Faucets®

Descanso™

WALL LAVATORY

Features

- 1.2 gpm (4.5 L/min) max flow rate
- Rough valve (CF-VL-R) sold separately
- Solid brass construction
- Over 30 finishes including 15 PVD finishes

CF-TO-V3002-7/9
CF-TO-V3002K-7/9
CF-TO-V3002F-7/9

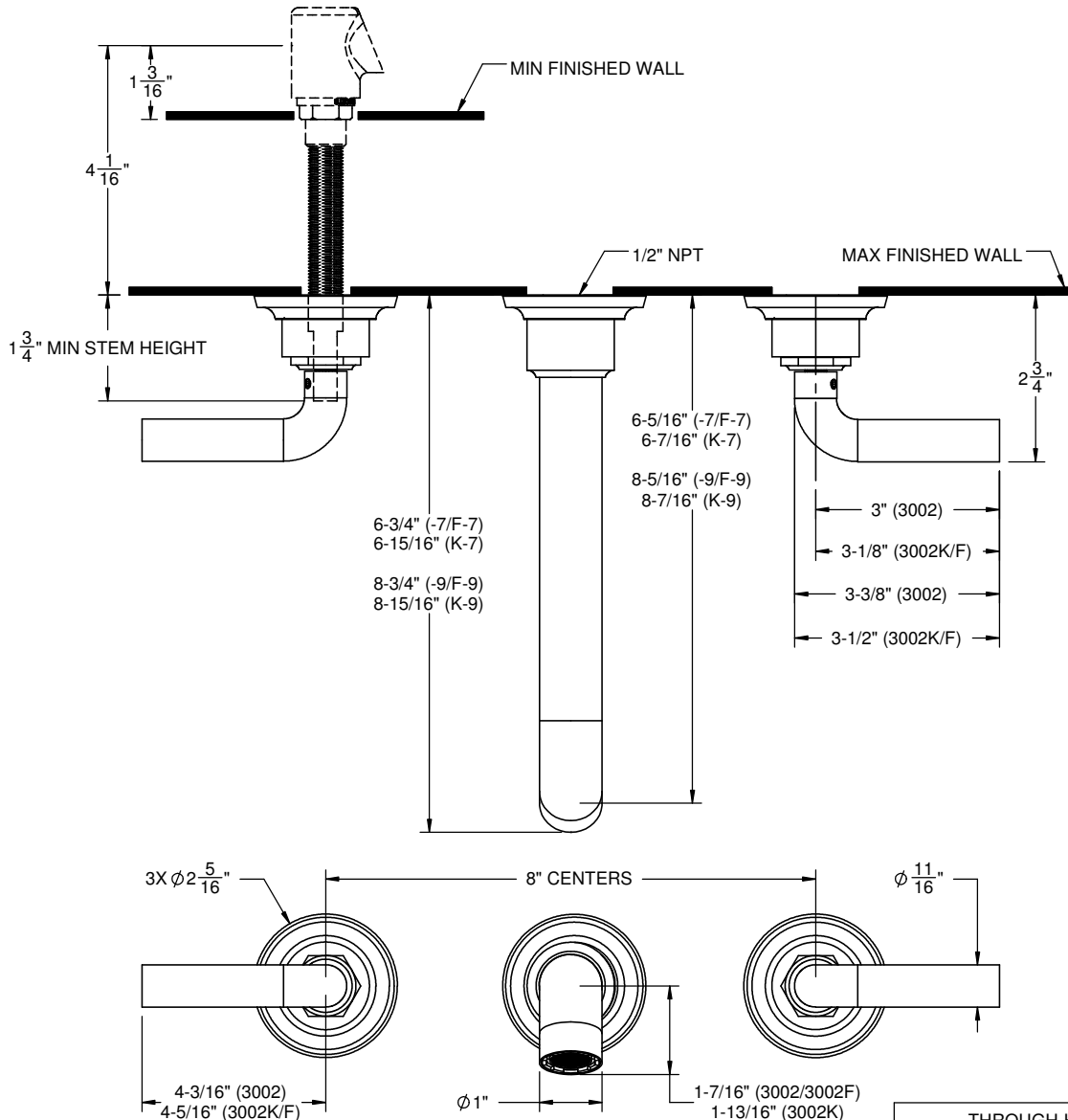


(CF-TO-V3002K-9 SHOWN)

Codes/Standards

Product meets or exceeds the following:

- ASME A112.18.1/CSA B125.1
- NSF/ANSI 61 & NSF/ANSI 372
- CEC & DOE
- Commonwealth of MA
- EPA WaterSense High Efficiency Lavatory
- ADA compliant



THROUGH-HOLE SPECIFICATIONS

	MIN	RECOMMENDED	MAX
SPOUT: Ø 1"		Ø 1-1/4"	Ø 1-15/16"
VALVE: Ø 1-1/4"		Ø 1-1/4"	Ø 1-15/16"

SPECIFICATIONS SUBJECT TO CHANGE WITHOUT NOTICE

ALL DIMENSIONS SHOWN TO NEAREST 1/16"