

California Faucets®

**Corsano®**

**SQUEEZE LEVER CULINARY KITCHEN FAUCET**

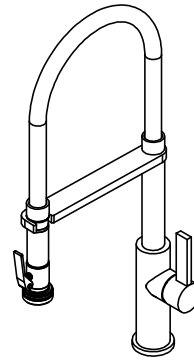
**Features**

- Over 28 finishes including 13 PVD finishes
- All brass construction
- 360° rotating arm with slide-in opening to secure sprayhead
- Flexible closed coil stainless steel spring
- Magnetic docking secures sprayhead into arm
- Squeeze lever switches between aerated and spray modes
- Spray jets have easy-to-clean surface that withstands mineral build-up
- Ceramic disc cartridge
- Max flow rate: 1.8 gpm (6.8 L/m)

**Codes/Standards Applicable**

Meets or exceeds the following at date of manufacture:

- ASME A112.18.1/CSA B125.1
- NSF 61 and NSF 372
- CEC / DOE
- Commonwealth of MA
- ADA Compliant

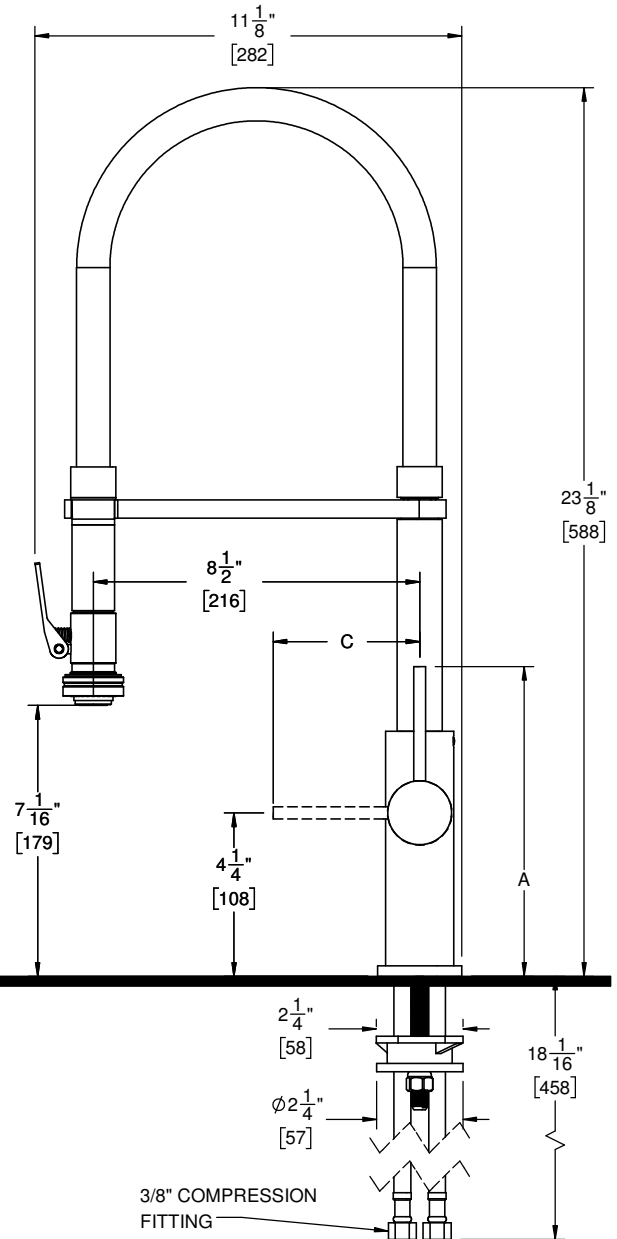
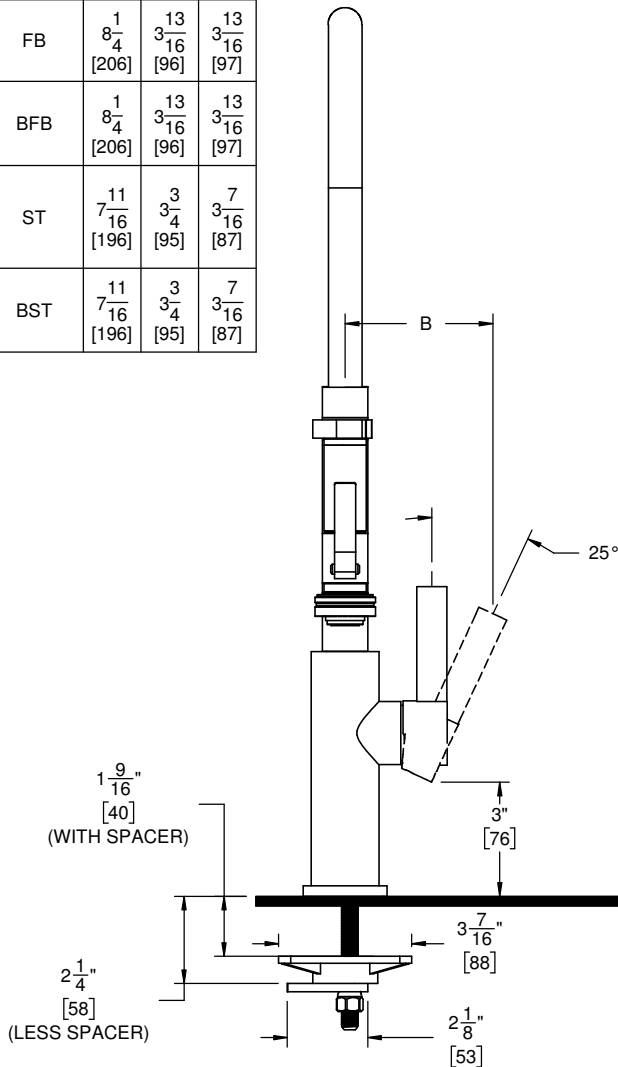


**CF-K51-150SQ-XX**  
**CF-K51-150FSQ-XX**

CF-K51-150SQ-FB-ZZ SHOWN

XX = DENOTES HANDLE STYLE

DIMENSIONS (in.)[mm]			
XX HANDLE	A	B	C
FB	1 8/4 [206]	13 3/16 [96]	13 3/16 [97]
BFB	1 8/4 [206]	13 3/16 [96]	13 3/16 [97]
ST	7 11/16 [196]	3 3/4 [95]	7 3/16 [87]
BST	7 11/16 [196]	3 3/4 [95]	7 3/16 [87]



THROUGH-HOLE SPECIFICATIONS		
MIN	RECOMMENDED	MAX
∅ 1-1/4"	∅ 1-3/8"	∅ 1-3/8"

SPECIFICATIONS SUBJECT TO CHANGE WITHOUT NOTICE

ALL DIMENSIONS SHOWN TO NEAREST 1/16" [ALL DIMENSIONS SHOWN TO NEAREST 1MM]"