

California Faucets®

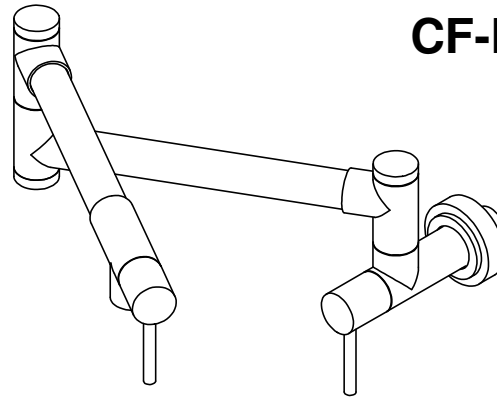
KITCHEN

CONTEMPORARY DUAL HANDLE WALL MOUNT POT FILLER

Features

- All brass construction
- 22-3/16" wall to center
- 1/4 turn ceramic disc cartridge(s)
- Dual jointed swing spout
- 1/2" FIP inlet quick connect for ease of installation
- Max flow rate: 4.0 gpm (15.1L/min) at 60 psi
- Over 30 finishes including 15 PVD finishes

CF-K50-200-XX

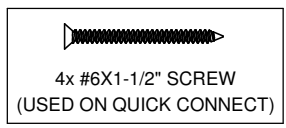
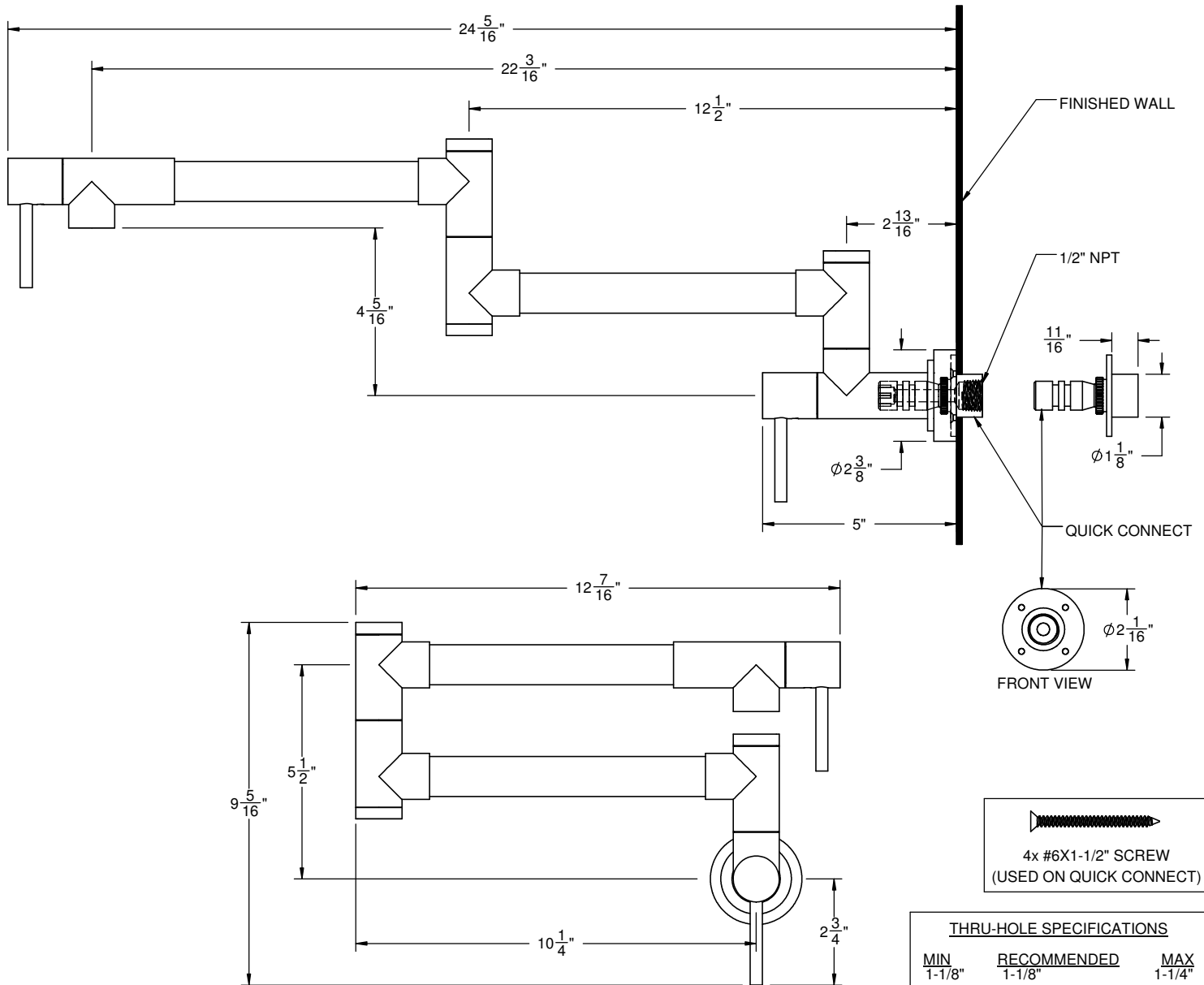


(CF-K50-200-ST SHOWN)

Codes/Standards Applicable

Meets or exceeds the following at date of manufacture:

- ASME A112.18.1/CSA B125.1
- NSF/ANSI 61 & NSF/ANSI 372
- Commonwealth of MA
- ADA compliant



THRU-HOLE SPECIFICATIONS		
MIN	RECOMMENDED	MAX
1-1/8"	1-1/8"	1-1/4"

SPECIFICATIONS SUBJECT TO CHANGE WITHOUT NOTICE

ALL DIMENSIONS SHOWN TO NEAREST 1/16"